

BUNN®

A10 Pourover w/Glass Decanter

Ideal simple switch control office coffee service that does not require plumbing or special wiring

6.7 in x 14.7 in x 12.9 in

Capacity (Servings/Hour): 46.4
(8 ounces servings)

- Attractive, space-saving to fit any counter
- Highest quality workmanship and materials throughout for long dependable life
- Separately controlled warmer

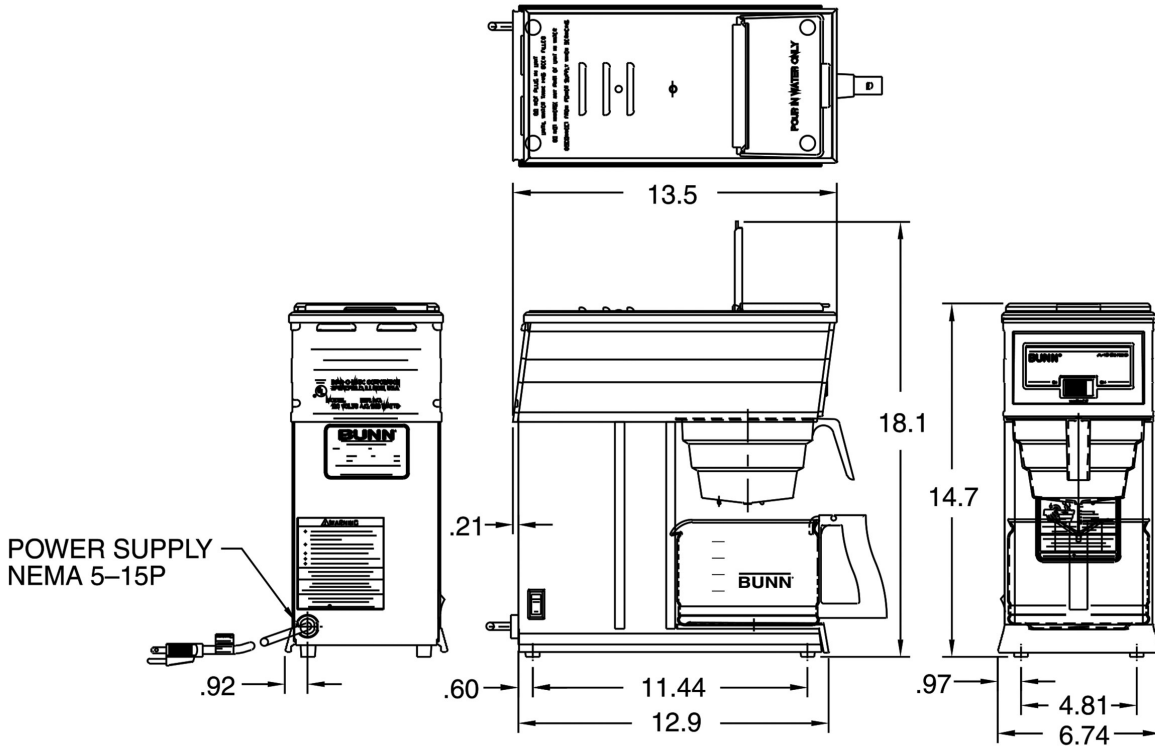
Related products

- 20106.0000 1000 count Coffee Filters
- 20435.0000 50 oz Black Handle Glass Decanter



Product No	Channel	Product Category	Water Access	Electrical (Voltage)
21250.0000	Office System	Coffee Brewer	Not Plumbed	120
UPC	Coffee Server Type	Coffee Capacity Range	Brewer Type	Number of Warmers
72504004006	Decanter	Low	Pourovers	One Lower
Finish	Number of Wires (+GND)	Cord Attached	Plug Type	Additional Features
Stainless	2	Yes	NEMA 5-15P	10 cup Decanter Included
2D Format CAD Available	Funnel Type	Machine Depth	Machine Width	Machine Height
Yes	Black Plastic	12.9 in	6.7 in	14.7 in

Shipping Box Length	Shipping Box Width	Shipping Box Height	Shipping Weight	Volume of shipped box
15.9 in	9.2 in	15.6 in	14.01 lb	1.32 ft ³



Electric & Capacity

Electrical Configuration Option
 Volts-Factory Wired: 120
 Phase-Factory Wired: 1
 Watts-Factory Wired: 1140
 Hertz-Factory Wired: 60
 Amps-Factory Wired: 9.5
 Capacity (Servings/Hour):46.4

To see illustrated parts manuals, visit bunn.com/support/manuals

BUNN® reserves the right to change specifications and product design without notice. Such revisions do not entitle the buyer to corresponding changes, improvements, additions, or replacements for previously purchased equipment. For most current specifications and other info visit bunn.com. All dimensions shown in inches.