

Airpot Racks for Push-Button Airpots

ITEM# _____

PROJECT _____

DATE _____

Features

Airpot Racks

- Hold two, three or five push-button airpots to better satisfy the demand for a variety of coffees.
- Sturdy, carbon-steel wire construction.
- Vinyl coated to resist corrosion and extend life.
- Hold 2.2 liter or 2.5 liter push-button airpots.
- Sponge-lined trays to catch drips and spills.



Model APR5

(airpots not included with racks)
Dimensions: 14.5" H x 20.6" W x 22" D
(36.8cm H x 52.3cm W x 55.9cm D)



Model APR2

(airpots not included with racks)
Dimensions: 9.2" H x 18.5" W x 10.9" D
(23.4cm H x 47cm W x 27.7cm D)



Model APR3

(airpots not included with racks)
Dimensions: 9.2" H x 20.6" W x 10.9" D
(23.4cm H x 52.3cm W x 27.7cm D)

For current specification sheets and other information, go to www.bunn.com.

Related Products

2.2 liter Push-Button Airpot

Product No. : 28696.0002
Capacity: 74 oz. (2.19 L)



2.5 liter Push-Button Airpot

Product No. : 13041.0001
Capacity: 84 oz. (2.48 L)



Model

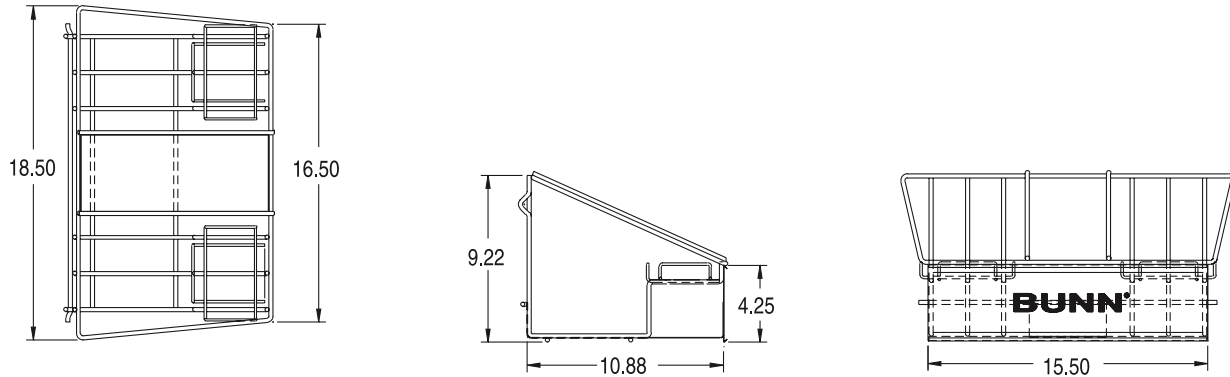
Agency Listing

APR2
APR3
APR5

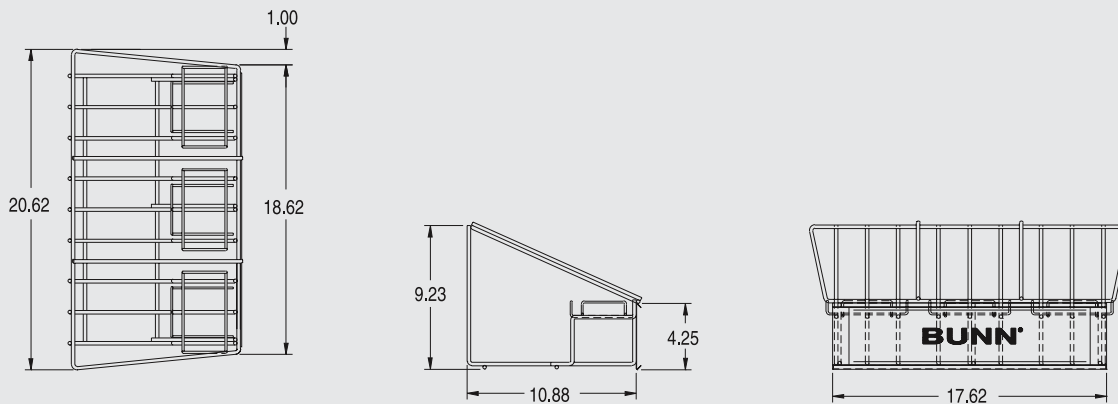
Dimensions & Specifications

Model	Product #	Capacity	Cu. Ft.	Shipping Weight
APR2 (1 level)	25371.0001	Two airpots	1.3	6 lbs.
APR3 (1 level)	25371.0003	Three airpots	1.5	7 lbs.
APR5 (2 level)	25371.0002	Five airpots	4.3	14 lbs.

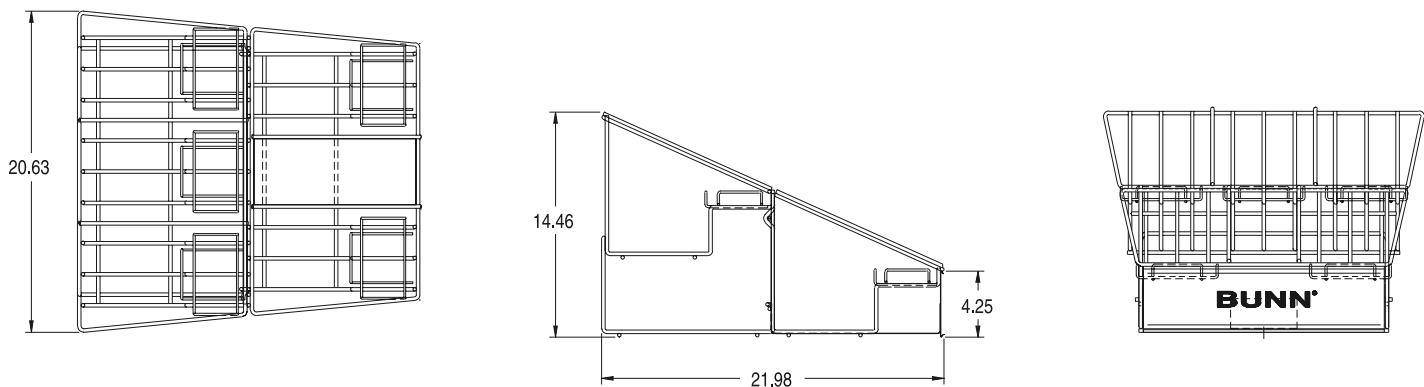
APR2



APR3



APR5



BUNN Corporation - 1400 Stevenson Drive Springfield, Illinois 62703 • 800-637-8606 • 217-529-6601 • Fax 217-529-6644 • www.bunn.com

BUNN® practices continuous product research and improvement. We reserve the right to change specifications and product design without notice. Such revisions do not entitle the buyer to corresponding changes, improvements, additions or replacements for previously purchased equipment.

All dimensions shown in inches. Bunn Corporation owns all copyrights relating to materials in this publication. Please contact Bunn Corporation to request permission to reproduce any portion of this publication.