

BUNN®

Easy Clear® Drop-In (ED) 10" or 20" Systems

ITEM# _____

PROJECT _____

DATE _____



Model ED-11-TL or ED-12-TL
Water Quality Systems

Features

Drop-In 10" (ED-11) & 20" (ED-12) Water Quality Systems

- Provides 4,500 gallons @ .75 gpm (10") or 9,000 gallons @ 1.5 gpm (20") for superior sediment, taste/odor and chlorine reduction.
- Perfect for beverage systems with a medium sized brewer (up to 50 lbs. of coffee/week).
- Effective 10 micron graded density filtration.
- Provides six months of scale reduction and protects equipment from corrosion.
- Has easy water shut-off valve built into manifold, plus the clear housing makes it easy to see cartridges.
- Designed for minimum purge after cartridge charge.
- Single purpose cartridges also available for treatment of problems with taste and odor (T), lime scale (L), hardness (H) and sediment filtration (S).
- System Tested and Certified by NSF International against ANSI/NSF Standard 42 for the reduction of sediment, taste/odor, and chlorine.

For current specification sheets and other information, go to www.bunn.com.

Related Products

Warranty: BUNN warrants the Easy Clear® hardware (excluding cartridges) to be free from defects in materials and workmanship for 1 year from the date of installation. See service manual for complete warranty statement.

Alignment Post
Product No. : 29559.0000



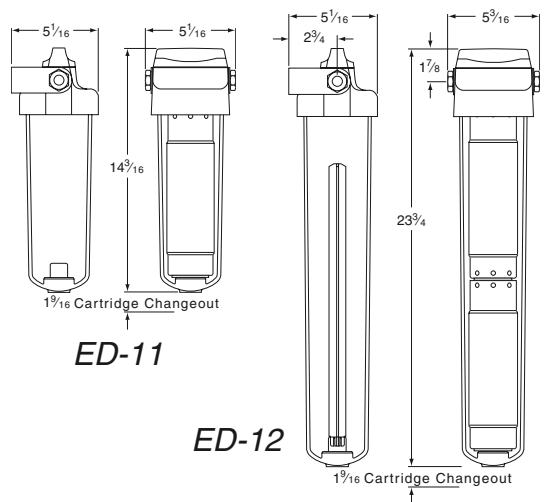
Gauge Kit for Drop-In systems
Product No. : 30236.1001



ED-CON-2 Connector
Product No. : 30232.1000



Wrench for Drop-In systems
Product No. : 30061.0000



Model

Agency Listing

ED-11-TL



ED-12-TL



Dimensions & Specifications

| Model | Product # | Flow Rate & Capacity | Replaces | Chlorine | Taste | Scale | Sediment |
|---|-----------------|----------------------------------|----------|----------|-------|-------|----------|
| | | | | | | | |
| Multipurpose Systems | | | | | | | |
| ED-11-TL | 30244.1001 | .75 gpm/4,500 gals. | 110-CP | • | • | • | • |
| ED-12-TL | 30245.1001 | 1.5 gpm/9,000 gals. | 120-CP | • | • | • | • |
| 10" Cartridges | | | | | | | |
| ED-TL-1 | (1) 30231.1001 | .75 gpm/4,500 gals. | CP-10 | • | • | • | • |
| Case | (36) 30231.0001 | | | | | | |
| ED-T-1 | (1) 30231.1002 | .75 gpm/4,500 gals. | C-10 | • | • | | • |
| Case | (36) 30231.0002 | | | | | | |
| ED-L-1 | (1) 30231.1003 | 3.0 gpm/NA | P12-10 | | | • | • |
| Case | (12) 30231.0003 | | | | | | |
| ED-H-1 | (1) 30231.1004 | .5 gpm/800 grains [†] | WS-10 | | | • | • |
| Case | (12) 30231.0004 | | | | | | |
| ED-S-1 | (1) 30231.1005 | 6.0 gpm/NA | S5-10 | | | • | • |
| Case | (36) 30231.0005 | | | | | | |
| 20" Cartridges | | | | | | | |
| 20" CARTRIDGES INCLUDE TWO ED-TL-1 CARTRIDGES CONNECTED WITH ONE ED-CON-2 CONNECTOR | | | | | | | |
| ED-TL-2 (1) | 30232.1001 | 1.5 gpm/9,000 gals. | CP-20 | • | • | • | • |
| Case— Connect 2 ED-TL-1 | (36) 30231.0001 | | | | | | |
| with 1-ED-CON-2 | (6) 30232.0000 | | | | | | |
| ED-T-2 (1) | 30232.1002 | 1.5 gpm/9,000 gals. | C-20 | • | • | | • |
| Case— Connect 2 ED-T-1 | (36) 30231.0002 | | | | | | |
| with 1-ED-CON-2 | (6) 30232.0000 | | | | | | |
| ED-H-2 (1) | 30232.1004 | .5 gpm/1,600 grains [†] | WS-20 | | | • | • |
| Case— Connect 2 ED-H-1 | (12) 30231.0004 | | | | | | |
| with 1-ED-CON-2 | (6) 30232.0000 | | | | | | |
| ED-S-2 | (1) 30232.1005 | 12.0 gpm/NA | n/a | | | | • |
| S5-20* Case— | (15) 30032.0002 | 12.0 gpm/NA | S5-20* | | | | • |
| Manifolds & Housing(s) | | | | | | | |
| ED-11 | (1) 30221.1000 | NA | 110 | | | | |
| ED-12 | (1) 30222.1000 | NA | 120 | | | | |
| ED-21 | (1) 30269.1000 | NA | 210 | | | | |
| ED-22 | (1) 30225.1000 | NA | 222 | | | | |

[†] To figure gallon capacity for an ED-H-1 & 2 use the following formula:
 Grain capacity of cartridge ÷ water hardness (in grains) = gallons treated.

* Does not fit in new ED-_-2 manifolds

Note: ED models include inlet and outlet valves with $\frac{3}{8}$ " female pipe threading.

Applications For ED Systems

| | |
|-----------|-------------------------------------|
| TL | Sediment, Taste/Odor & Lime Scale |
| T | Taste & Odor (Carbon) |
| L | Lime Scale (Scale Inhibitor) |
| H | Hardness Treatment (Water Softener) |
| S | Sediment Filtration |

BUNN Corporation - 1400 Stevenson Drive Springfield, Illinois 62703 • 800-637-8606 • 217-529-6601 • Fax 217-529-6644 • www.bunn.com

BUNN® practices continuous product research and improvement. We reserve the right to change specifications and product design without notice. Such revisions do not entitle the buyer to corresponding changes, improvements, additions or replacements for previously purchased equipment.

All dimensions shown in inches. Bunn Corporation owns all copyrights relating to materials in this publication. Please contact Bunn Corporation to request permission to reproduce any portion of this publication.