

ITEM# _____

PROJECT _____

DATE _____

Easy Clear® Hot or Cold Water Quality Filtration System



Model EDSS-11-T200F
Water Quality System

Features

In-Line (EDSS-11-T200F) Hot Water Quality Filtration Systems

- Designed for BUNN liquid coffee machines supplied with hot water.
- Provides 2,500 gallons of superior sediment, taste/odor and chlorine reduction @ 2 gpm.
- 5 micron graded density filtration for long life.
- Perfectly sized to ensure quality coffee and long-term performance.
- Stainless steel housings assure reliable performance in high temperature or pressure applications.
- In-line units have 316 stainless steel heads with 304 stainless steel housings, rated to 300 psi (2,069 kPa) for durability.
- Hot and cold water applications*
- Rigid construction of the stainless steel housing provides durability and withstands extreme water hammer.

For current specification sheets and other information, go to www.bunn.com.

*Tested for hot water applications up to 200° F (93° C).

Related Products

Warranty: BUNN warrants the Easy Clear® hardware (excluding cartridges) to be free from defects in materials and workmanship for 1 year from the date of installation. See service manual for complete warranty statement.

Model

Agency Listing

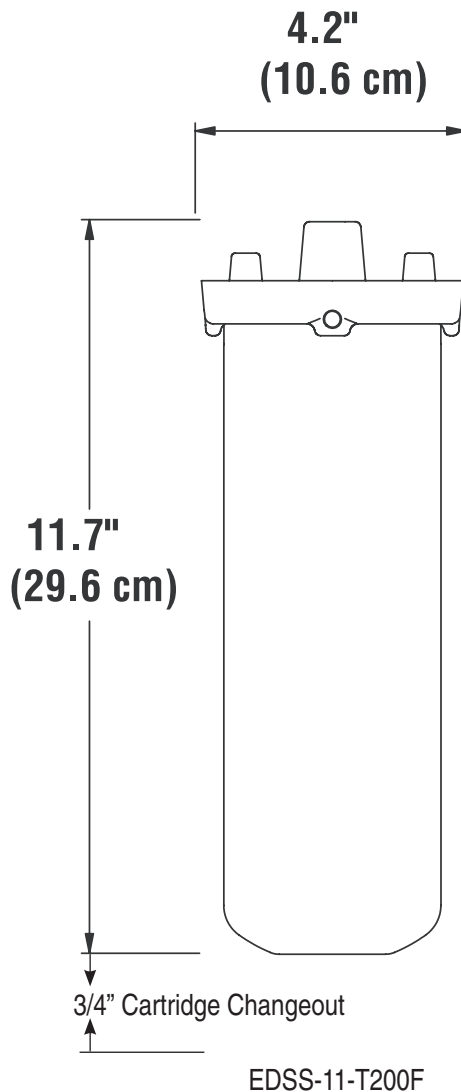
EDSS-11-T200F

Dimensions & Specifications

Model	Product #	Flow Rate & Capacity
Systems		
EDSS-11-T200F (1)	30370.1000	2 gpm/2,500 gals.
EDSS-11-T200-1 (4/cs)	30370.0000	2 gpm/2,500 gals.
Cartridge Only		
ED-T200F-1 (1)	30370.1001	2 gpm/2,500 gals.
ED-T200F-1 (6/cs)	30370.0001	2 gpm/2,500 gals.

Replaces	Chlorine	Taste	Scale	Sediment
n/a	•	•		•
n/a	•	•		•

Note: Connections to be either 3/4" NPT horizontal or 3/8" NPT vertical.



Bunn-O-Matic® Corporation - 1400 Stevenson Drive Springfield, Illinois 62703 • 800-637-8606 • 217-529-6601 • Fax 217-529-6644 • www.bunn.com

BUNN® practices continuous product research and improvement. We reserve the right to change specifications and product design without notice. Such revisions do not entitle the buyer to corresponding changes, improvements, additions or replacements for previously purchased equipment.

All dimensions shown in inches.

7/10 Bunn-O-Matic Corporation