

BUNN®

3, 3.5, 4, 5 Gallon Cylinder Style Iced Tea/Coffee Dispensers

ITEM#

PROJECT

DATE

Features

Iced Tea/Coffee Dispensers

- Dispensers available in 3, 3.5, 4, and 5 gallon (11.4, 13.2, 15.1 and 18.9 litre) capacities.
- Sump dispense valve assures complete dispensing of tea.
- TDS-3, TDS-3.5 and TDS-5 models have stainless lid.
- TDO-4 and TDO-5 models have plastic lid and oval shape.
- Faucet handles are labeled sweetened and unsweetened. Side handles are mounted offset for closer side-by-side positioning.*

* Some TDS-3 and TDS-5 models in stock may not have these features.



TDS-3

Dimensions:
19"H x 9.8"W x 12.8"D
(48.3cm H x 24.9cm W x 32.5cm D)



TDS-3.5

Dimensions:
20.4"H x 9.8"W x 12.8"D
(51.8cm H x 24.9cm W x 32.5cm D)



TDS-5

Dimensions:
25.6"H x 9.8"W x 14.8"D
(65cm H x 37.8cm W x 37.6cm D)



TDO-4

Dimensions:
19"H x 10.7"W x 13.7"D
(48.3cm H x 27.2cm W x 34.8cm D)



TDO-5

Dimensions:
22"H x 10.7"W x 13.7"D
(55.9cm H x 27.2cm W x 34.8cm D)

For current specification sheets and other information, go to www.bunn.com.

Related Products

ICD-3 Iced Coffee Dispenser

Product No. : 33000.0002
Dimensions: 20.6"H x 9.8"W x 14"D
52.3cm H x 37.8cm W x 35.6cm D



TDO Brew-Through Lid

Product No. : 34093.0001



TDO Lid Retainer

Product No. : 35136.0001
Dimensions: 5.25"H x 11"W x 10.2"D
13.3cm H x 27.9cm W x 10.2cm D

Remote Stand

Product No.: 37675.0001



Drip Tray

Product No. : 38029.1000
(for TDO-4 and TDO-5)



Pinch Tube Faucet Kit

Product No.: 40363.1000



Model

Agency Listing

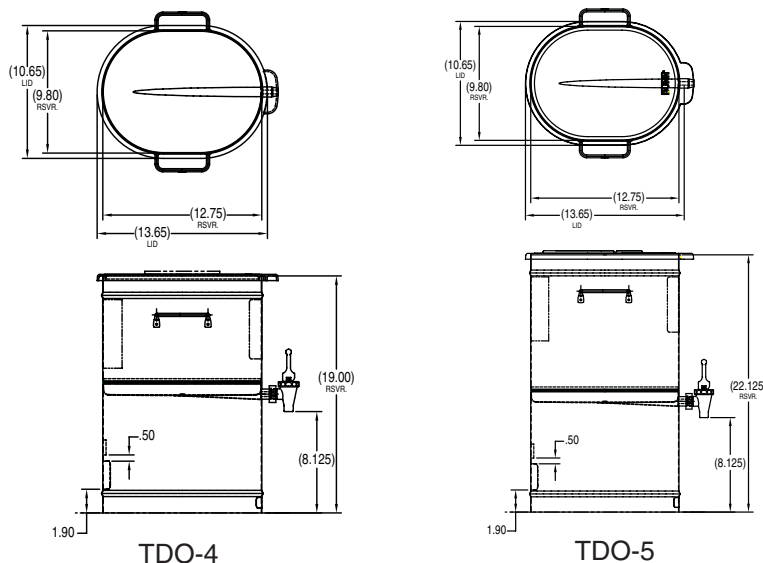
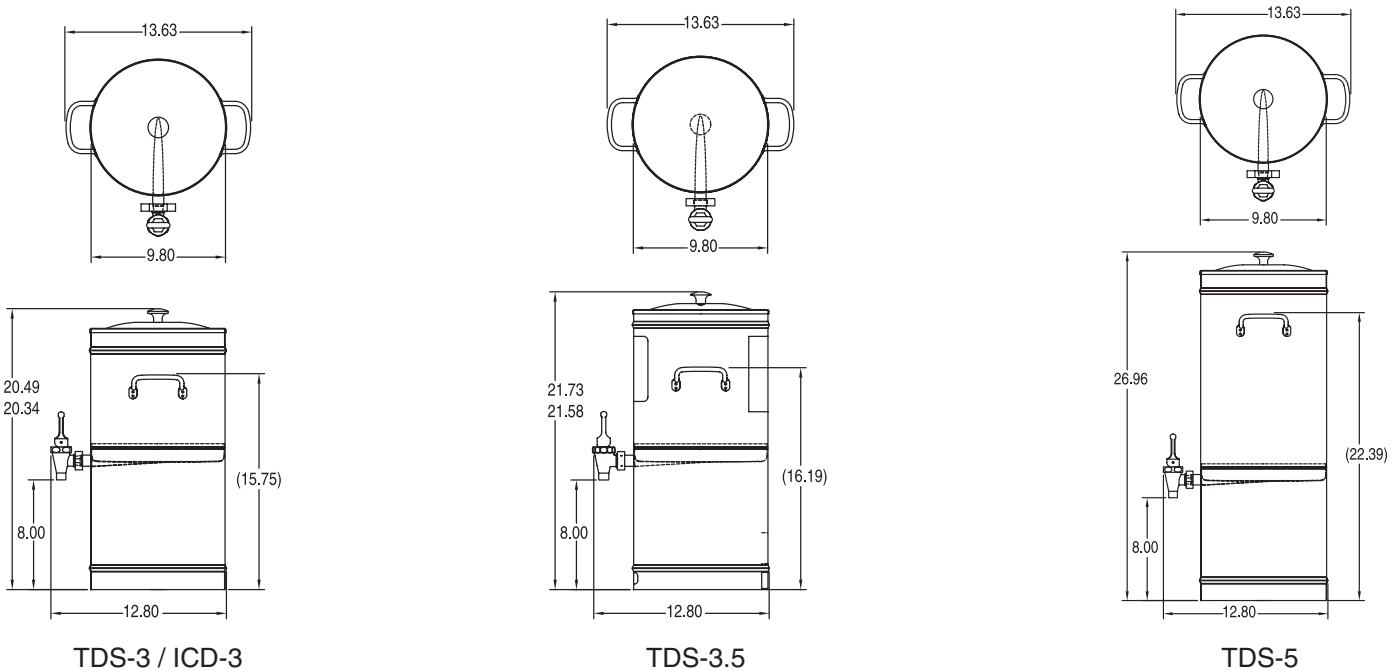
TDS-3
TDS-3.5
TDS-5
ICD-3
TDO-4
TDO-5



Dimensions & Specifications

Model	Product #	Capacity	Handles	Cubic Measure	Shipping Weight
TDS-3	33000.0000	3 gal/11.4 litres	Side	2.2 ft ³	9.4 lbs.
TDS-3.5	33000.0008	3.5 gal/13.2 litres	Side	2.6 ft ³	10 lbs.
TDS-5	33000.0001	5 gal/18.9 litres	Side	2.9 ft ³	12 lbs.
ICD-3	33000.0002	3 gal/11.4 litres	Side	2.2 ft ³	10 lbs.
TDO-4 (solid lid)	34100.0000	4 gal/15.1 litres	Side	2.1 ft ³	12 lbs.
TDO-4 (brew-through lid)	34100.0002	4 gal/15.1 litres	Side	2.1 ft ³	12 lbs.
TDO-4 (solid lid, pinch tube faucet*)	34100.0012	4 gal/15.1 litres	Side	2.1 ft ³	12 lbs.
TDO-5 (solid lid)	34100.0001	5 gal/18.9 litres	Side	2.4 ft ³	14 lbs.
TDO-5 (brew-through lid)	34100.0003	5 gal/18.9 litres	Side	2.4 ft ³	14 lbs.

* Pinch tube faucet requires bag liner for proper operation.



Bunn-O-Matic® Corporation - 1400 Stevenson Drive Springfield, Illinois 62703 • 800-637-8606 • 217-529-6601 • Fax 217-529-6644 • www.bunn.com

BUNN® practices continuous product research and improvement. We reserve the right to change specifications and product design without notice. Such revisions do not entitle the buyer to corresponding changes, improvements, additions or replacements for previously purchased equipment.

All dimensions shown in inches.

9/10 © Bunn-O-Matic Corporation