

LCA-2 (w/LiquidBox QC/DII 1/8")

31.3" x 24.8" x 12.2"
(79.5cm x 63.0cm x 31.0cm)



 Servers and airpots sold separately

- Accommodates 1/2gal (1.9L) and most 1gal (3.8L) bag-in-box (BIB) containers
- Attractive appearance and narrow 12" (30.5 cm) width
- FlavorGard® technology continuously monitors extract-to-water ratio and assures flavor consistency
- Refill or rinse LED lights alert the operator for concentrate or cleaning
- Ventilated Cabinet
- Insulated product cabinet assures maximum product life

Agency:



Specifications

Product #: 34400.0003

Product Ratio: 45:1-100:1

Connector: LiquiBox QC/D II

Water Access: Plumbed

Finish: Black

Dispense: Push Button

Legs: 4" Black Legs

Additional Features

Alt Disp Rate 2.5 oz/s(74ml/s)

Alt Product Ratio 65:1-100:1

Electrical & Capacity

| Volts | Amps | Watts | Cord Attached | Plug Type | 8oz cups/hr 236ml cups/hr | Input H ₂ O Temp. | Phase | # Wires plus Ground | Hertz |
|---------|------|-------|---------------|------------|------------------------------|------------------------------|-------|---------------------|-------|
| 120 | 13.2 | 1575 | Yes | NEMA 5-15P | 810 | 60°F (15.5°C) | 1 | 2 | 60 |
| 120/208 | 21 | 4331 | - | N/A | 1760 | 60°F (15.5°C) | 1 | - | - |
| 120/240 | 24 | 5700 | - | N/A | 2344 | 60°F (15.5°C) | 1 | - | - |

Plumbing Requirements

| PSI | kPa | Fitting Supplied | Water Flow Required (GPM) |
|-------|---------|-------------------------|---------------------------|
| 20-90 | 138-621 | 3/8" Male Flare Fitting | - |

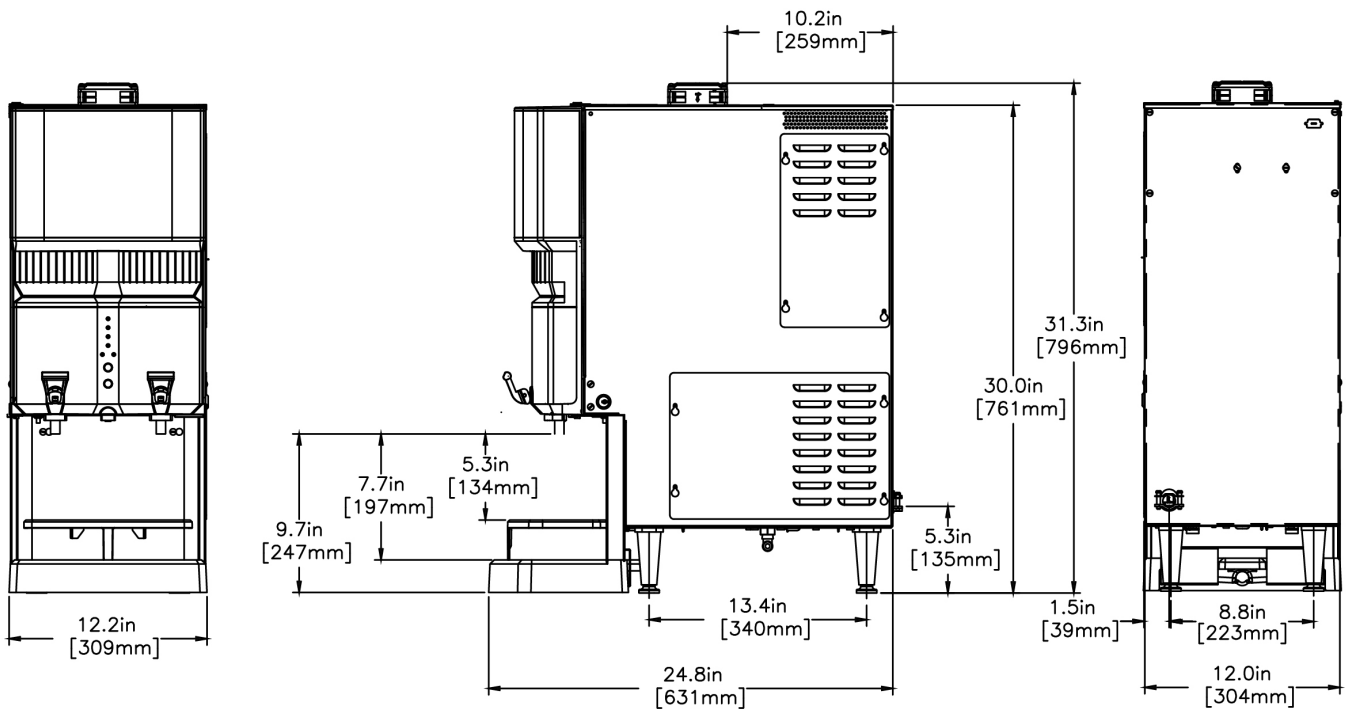
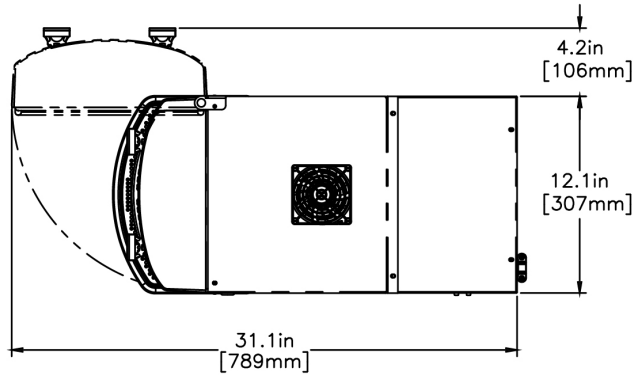
CAD Drawings

| 2D | Revit | KLC |
|----|-------|-----|
| ● | | |



BUNN® reserves the right to change specifications and product design without notice. Such revisions do not entitle the buyer to corresponding changes, improvements, additions or replacements for previously purchased equipment. For most current specifications and other info visit bunn.com.

Created on:
06/15/2017



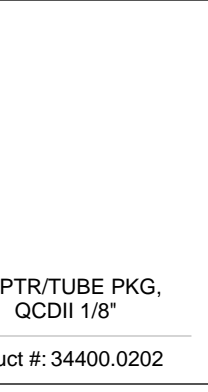
| Unit | | | | Shipping | | | | |
|---------|----------|----------|----------|----------|--------|-------|------------|--------|
| | Width | Height | Depth | Width | Height | Depth | Weight | Volume |
| English | 12.2 in. | 31.3 in. | 24.8 in. | - | - | - | 89.610 lbs | - |
| Metric | 31.0 cm | 79.5 cm | 63.0 cm | - | - | - | 40.647 kgs | - |



BUNN® reserves the right to change specifications and product design without notice. Such revisions do not entitle the buyer to corresponding changes, improvements, additions or replacements for previously purchased equipment. For most current specifications and other info visit bunn.com.


Created on:
06/15/2017

Related Products & Accessories:LCA-2 (w/LiquidBox QC/DII 1/8")(34400.0003)




ADPTR/TUBE PKG,
QCDII 1/8"

Product #: 34400.0202




TUBE KIT, .188 PUMP
LCC/LCA

Product #: 34727.1000




TUBE KIT, .125 PUMP
LCC/LCA

Product #: 34728.1000




KIT,DISPENSE RATIO
CAL LCA/LCC

Product #: 34843.1000




WATER FILTER,
EQHP-10L

Product #: 39000.0001




WATER FILTER,
EQHP-25L

Product #: 39000.0002



WATER FILTER,
EQHP-10

Product #: 39000.0004



WATER FILTER,
EQHP-25

Product #: 39000.0005



BUNN® reserves the right to change specifications and product design without notice. Such revisions do not entitle the buyer to corresponding changes, improvements, additions or replacements for previously purchased equipment. For most current specifications and other info visit bunn.com.

Created on:
06/15/2017