

DUAL TF DBC SST 120/208V

35.7" x 20.2" x 21.8"
(90.7cm x 51.3cm x 55.4cm)



 Servers and airpots sold separately

- Brews 16.3 to 18.9gal (61.7 to 71.5L) of perfect coffee per hour
- Coffee extraction controlled with pre-infusion and pulse brew, digital temperature control, and large sprayhead; coffee strength controlled with variable by-pass.
- Create coffee recipe cards with custom recipes, ad cards with messages that display on the brewer LCD, and dedicated funnels for special coffees with the BrewWISE Recipe Writer using your PC (Windows® compatible).
- Easy pulse interface allows automatic programming of pulse routine
- Preventive maintenance kit: 39641.0000
- Stores individual coffee recipes so operator can easily brew many varieties
- ThermoFresh® servers are vacuum insulated to keep coffee hot for hours.
- SplashGard® funnels deflect hot liquids away from the hand
- Energy saver mode reduces tank temperature during idle periods
- Operate any combination of BrewWISE equipment error-free with wireless brewer-grinder interface through Smart Funnel with SplashGard®

Agency:



Specifications

Product #: 34600.0004

Faucet: Lower

Water Access: Plumbed

Interface: Wireless

Finish: Stainless

Funnel: Smart Funnel

Additional Features

BUNNLINK Compatible

BrewWISE

Electrical & Capacity

Volts	Amps	Watts	Cord Attached	Plug Type	8oz cups/hr 236ml cups/hr	Input H ₂ O Temp.	Phase	# Wires plus Ground	Hertz
120/208	27.4	5700	No	-	266	60°F (15.5°C)	1	3	60

Plumbing Requirements

PSI	kPa	Fitting Supplied	Water Flow Required (GPM)
20-90	138-621	3/8" Male Flare Fitting	-

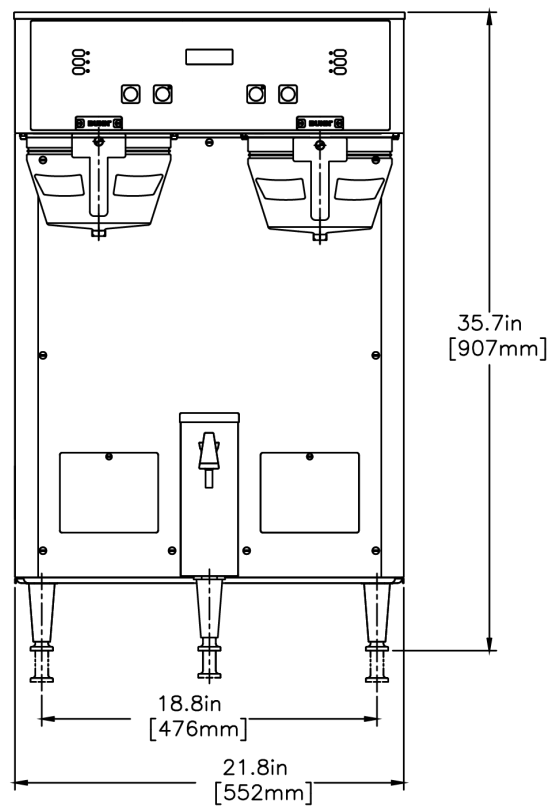
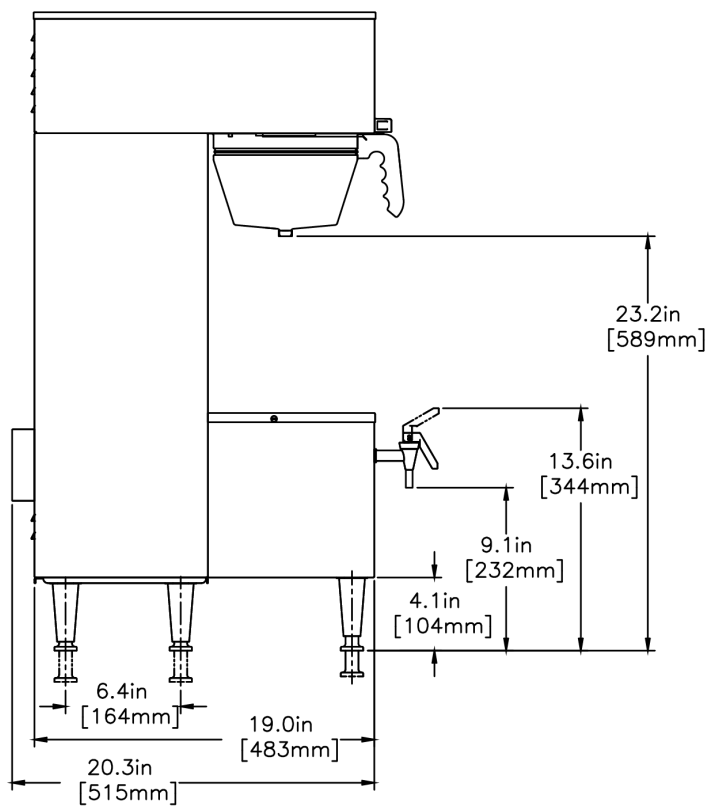
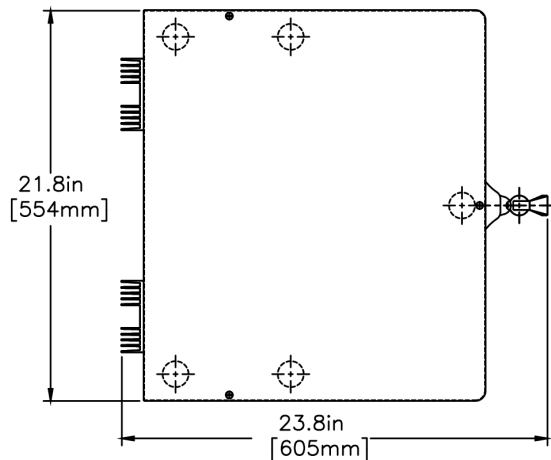
CAD Drawings

2D	Revit	KLC
●		



BUNN® reserves the right to change specifications and product design without notice. Such revisions do not entitle the buyer to corresponding changes, improvements, additions or replacements for previously purchased equipment. For most current specifications and other info visit bunn.com.

Created on:
09/13/2017



Unit			Shipping					
	Width	Height	Depth	Width	Height	Depth	Weight	Volume
English	21.8 in.	35.7 in.	20.2 in.	-	-	-	89.500 lbs	13.180 ft ³
Metric	55.4 cm	90.7 cm	51.3 cm	-	-	-	40.597 kgs	0.373 m ³



BUNN® reserves the right to change specifications and product design without notice. Such revisions do not entitle the buyer to corresponding changes, improvements, additions or replacements for previously purchased equipment. For most current specifications and other info visit bunn.com.

Created on:
09/13/2017

Related Products & Accessories: DUAL TF DBC SST 120/208V(34600.0004)



**FILTERS,GOURMET 504
252/2 36/CL**

Product #: 20138.0000



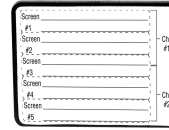
**BREWWISE RECIPE
WRITER**

Product #: 34444.0000



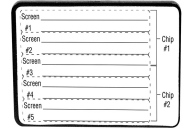
**CARD ASSY,RECIPE
TRANSFER(BRW)**

Product #: 34447.0000



**CARD ASSY,
TRANSFER-AD (BRW)**

Product #: 34448.0000



TARJETA

Product #: 34448.0000



MHG, 120V BLK

Product #: 35600.0022



**WATER FILTER,
EQHP-25L**

Product #: 39000.0002



**WATER FILTER,
EQHP-25**

Product #: 39000.0005

KIT, PM-DUAL TF

Product #: 39641.0000



BUNN® reserves the right to change specifications and product design without notice. Such revisions do not entitle the buyer to corresponding changes, improvements, additions or replacements for previously purchased equipment. For most current specifications and other info visit bunn.com.

Created on:
09/13/2017

Serving & Holding Options: DUAL TF DBC SST 120/208V(34600.0004)



TF SERVER, DSG2
1G/3.8L

Product #:42700.0000



TERMO

Product #:42700.0000



TF SERVER, DSG2
1G/3.8L BLK

Product #:42700.0001



TF SERVER, DSG2 1G
CD

Product #:42700.0003



TF SERVER, DSG2 1G
BLK CD

Product #:42700.0004



TF SERVER, DSG2 1.5G
SST

Product #:42750.0000



TF SERVER, DSG2 1.5G
BLK

Product #:42750.0001



TERMO

Product #:42750.0001



TF SERVER, DSG2 1.5G
CD

Product #:42750.0003



TF SERVER, DSG2 1.5G
BLK CD

Product #:42750.0010



TF SERVER, 1G/3.8L
MECH

Product #:44000.0000



TERMO

Product #:44000.0000



TF SERVER, 1G/3.8L
MECH BLK

Product #:44000.0001



TERMO

Product #:44000.0001



TF SERVER, 1.5G/5.7L
MECH

Product #:44050.0000



TERMO

Product #:44050.0000



TF SERVER, 1.5G/5.7L
MECH BLK

Product #:44050.0001



TERMO

Product #:44050.0001



BUNN® reserves the right to change specifications and product design without notice. Such revisions do not entitle the buyer to corresponding changes, improvements, additions or replacements for previously purchased equipment. For most current specifications and other info visit bunn.com.

Created on:
09/13/2017