

# ITCB-DV-DBC

34.4" x 23.8" x 11.5"  
(87.4cm x 60.5cm x 29.2cm)



 Servers and airpots sold separately

- Two programmable batch switches allow full and half batches of iced tea
- Brews into all BUNN iced tea dispensers (except TDS-5), 1.9 to 3.8L airpots, thermal carafes and can accommodate BUNN ThermoFresh® Servers
- Brew counter keeps track of how many batches brewed
- BrewWISE® intelligence with pre-infusion and pulse brew for maximum flavor extraction
- Digital temperature control and cold brew lockout
- Display advertising messages and machine status
- Dual voltage adaptable (Can operate at 120V/15 amp or 120/208-240V/20 amp)
- Easy pulse display allows for simplified programming of pulse routine
- Energy-saver mode reduces tank temperature during idle periods
- English and Spanish alphanumeric display
- Large tank provides back-to-back brewing capacity and allows 3 or 5gal (11.4 to 18.9L) tea batches

Agency:



## Specifications

**Product #:** 35700.0000

**Faucet:** Upper

**Water Access:** Plumbed

**Finish:** Stainless

**Funnel:** Black Plastic

**Funnel:** Translucent Tea Funnel

## Additional Features

Quickbrew Funnel Tip

Smart Funnel Compatible

With Overlays

Quick Brew

## Electrical & Capacity

Volts	Amps	Watts	Cord Attached	Plug Type	8oz cups/hr 236ml cups/hr	Input H <sub>2</sub> O Temp.	Phase	# Wires plus Ground	Hertz
120	14	1700	Yes	NEMA 5-15P	336	60°F (15.5°C)	1	2	60
120/208	13	2650	-	N/A	1088	60°F (15.5°C)	1	-	-
120/240	15	3500	-	N/A	1293	60°F (15.5°C)	1	-	-

## Plumbing Requirements

PSI	kPa	Fitting Supplied	Water Flow Required (GPM)
20-90	138-621	1/4" Male Flare Fitting	-

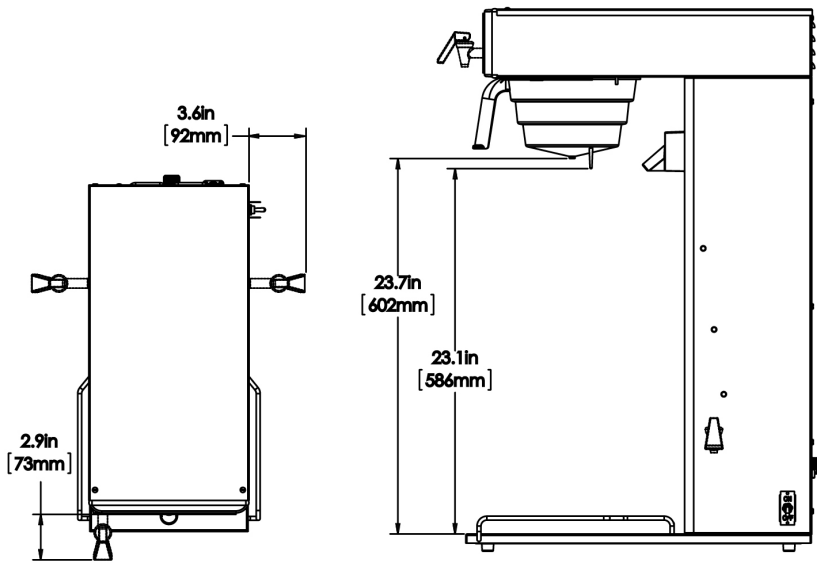
## CAD Drawings

2D	Revit	KLC
●		

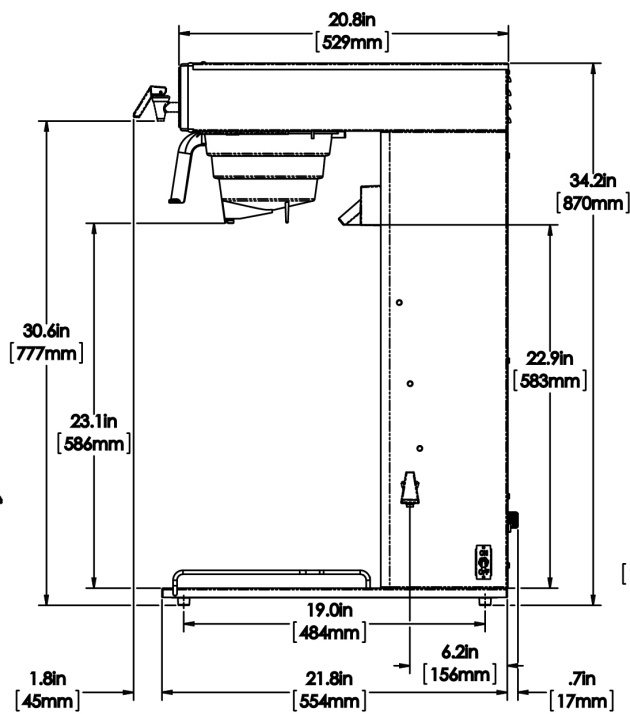
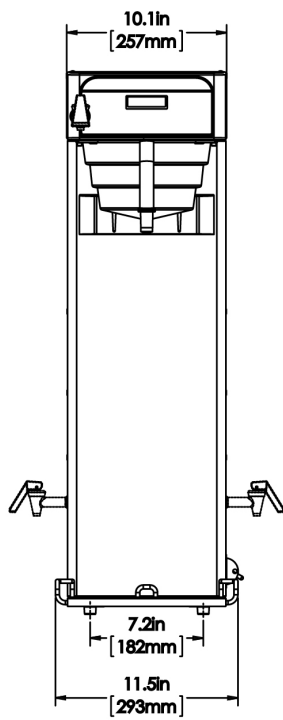


BUNN® reserves the right to change specifications and product design without notice. Such revisions do not entitle the buyer to corresponding changes, improvements, additions or replacements for previously purchased equipment. For most current specifications and other info visit [bunn.com](http://bunn.com).

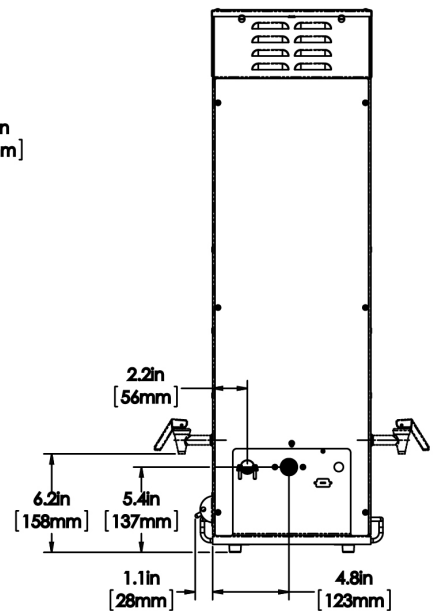
Created on:  
08/04/2017



WITH ALTERNATIVE COFFEE FUNNEL



WITH TEA FUNNEL



Unit			Shipping					
	Width	Height	Depth	Width	Height	Depth	Weight	Volume
English	11.5 in.	34.4 in.	23.8 in.	-	-	-	45.060 lbs	-
Metric	29.2 cm	87.4 cm	60.5 cm	-	-	-	20.439 kgs	-



BUNN® reserves the right to change specifications and product design without notice. Such revisions do not entitle the buyer to corresponding changes, improvements, additions or replacements for previously purchased equipment. For most current specifications and other info visit [bunn.com](http://bunn.com).

Created on:  
08/04/2017

# Related Products & Accessories:ITCB-DV-DBC(35700.0000)



FUNNEL ASSY,SMOKE-  
TEA(TU3/T3)

Product #: 03021.0004



FUNNEL ASSY,BLK-  
CENTER OUTLET

Product #: 03021.0008



FILTERS TEA/SYS2  
500PK/1 50/CL

Product #: 20100.0000



PAPEL FILTRANTE

Product #: 20100.0000



FILTERS, GOURMET 500  
500/1 50/CL

Product #: 20138.1000



PAPEL FILTRANTE

Product #: 20138.1000



POUCHPACK FUNL AY,  
TEA SMK S-T

Product #: 35282.0002



BOOSTER, AIRPOT/TS-  
SHORT

Product #: 35976.0002



BOOSTER, AIRPOT/TS-  
TALL

Product #: 35976.0003



WATER FILTER,  
EQHP-10

Product #: 39000.0004



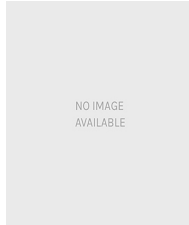
WATER FILTER, EQHP-  
TEA

Product #: 39000.0007



CARTRIDGE,  
EQHP-10CRTG

Product #: 39000.1004



CARTRIDGE, EQHP-  
TEACRTG

Product #: 39000.1007



BUNN® reserves the right to change specifications and product design without notice. Such revisions do not entitle the buyer to corresponding changes, improvements, additions or replacements for previously purchased equipment. For most current specifications and other info visit [bunn.com](http://bunn.com).

Created on:  
08/04/2017

# Serving & Holding Options:ITCB-DV-DBC(35700.0000)



TD4T, W/ LIFT HANDLE

Product #:03250.0042



TDO-N-3.5, RSVR W/  
LIFT HANDLE

Product #:39600.0031



TD4T, W/BREW THRU  
LID & LIFT HANDLE

Product #:03250.0043



TD3T-N, RSVR BREW  
THRU LID BUNN

Product #:43900.0001



TD3T-N, RSVR SOLID  
LID BUNN

Product #:43900.0002



TDO-N-3.5, RSVR

Product #:39600.0001



TDO-N-4.0, RSVR BUNN

Product #:39600.0002



TDO-N-3.5, RSVR W/  
PINCH TUBE

Product #:39600.0047



TD4T, SIGHT GAUGE  
NUDGER HDL

Product #:03250.0004



TD4T, BREW THRU LID  
NUDGER HDL

Product #:03250.0005



TD4T, BREW THRU LID  
NO DECAL NUDGER  
HDL

Product #:03250.0018



AIRPOT, 2.5L GL PB  
SINGLE PK

Product #:13041.0001



AIRPOT, 2.5L GL PB 6/  
CASE

Product #:13041.0101



AIRPOT, 2.5L SST LA  
SINGLE PK

Product #:32125.0000



AIRPOT, 2.5L SST LA 6/  
CASE

Product #:32125.0100



TDS-3, 3 GAL

Product #:33000.0000



TDS-3.5, 3.5 GAL

Product #:33000.0008



TDO-4, RESERVOIR

Product #:34100.0000



TDO-5, RESERVOIR

Product #:34100.0001



TDO-4, RESERVOIR  
BREW THRU

Product #:34100.0002



BUNN® reserves the right to change specifications and product design without notice. Such revisions do not entitle the buyer to corresponding changes, improvements, additions or replacements for previously purchased equipment. For most current specifications and other info visit [bunn.com](http://bunn.com).

Created on:  
08/04/2017

# Serving & Holding Options:ITCB-DV-DBC(35700.0000)



TDO-5, RESERVOIR,  
BREW THRU

Product #:34100.0003

NO IMAGE  
AVAILABLE

TDO-N-3.5, RSVR PINCH  
TB FCT

Product #:39600.0008



TDS-3.5, 3.5 GAL

Product #:33000.0023



TERMO

Product #:32125.0000



TERMO

Product #:32125.0100



AIRPOT, 3.0L SST LA  
SINGLE PK

Product #:32130.0000



TERMO

Product #:32130.0000



AIRPOT, 3.0L SST LA 6/  
CASE

Product #:32130.0100



TERMO

Product #:32130.0100



DISPENSADOR DE TÉ

Product #:34100.0002



DISPENSADOR DE TÉ

Product #:39600.0001



CONTENEDOR

Product #:39600.0047



CONTENEDOR

Product #:43900.0001



BUNN® reserves the right to change specifications and product design without notice. Such revisions do not entitle the buyer to corresponding changes, improvements, additions or replacements for previously purchased equipment. For most current specifications and other info visit [bunn.com](http://bunn.com).

Created on:  
08/04/2017