

# ITCB-DV-DBC (short) w/Intgrtd Flip Tray

31.1" x 23.8" x 11.5"  
(79.0cm x 60.5cm x 29.2cm)



 Servers and airpots sold separately

- Two programmable batch switches allow full and half batches of iced tea
- Brews into most BUNN iced tea dispensers (except TDS-5 and TDO-Ns), 1.9 to 3.8L airpots, thermal carafes and can accommodate BUNN ThermoFresh® Servers
- Brew counter keeps track of how many batches brewed
- BrewWISE® intelligence with pre-infusion and pulse brew for maximum flavor extraction
- Digital temperature control and cold brew lockout
- Display advertising messages and machine status
- Dual voltage adaptable (Can operate at 120V/15 amp or 120/208-240V/20 amp)
- Easy pulse display allows for simplified programming of pulse routine
- Energy-saver mode reduces tank temperature during idle periods
- English and Spanish alphanumeric display
- Large tank provides back-to-back brewing capacity and allows 3 or 5gal (11.4 to 18.9L) tea batches
- Includes integrated flip tray that converts to three positions: thermal carafe, airpot and tea dispenser.

Agency:



## Specifications

**Product #:** 35700.0020

**Faucet:** Upper

**Water Access:** Plumbed

**Finish:** Stainless

**Funnel:** Black Plastic

**Funnel:** Translucent Tea Funnel

## Additional Features

Flip Tray Included

Quickbrew Funnel Tip

Smart Funnel Compatible

With Overlays

Quick Brew

## Electrical & Capacity

Volts	Amps	Watts	Cord Attached	Plug Type	8oz cups/hr 236ml cups/hr	Input H <sub>2</sub> O Temp.	Phase	# Wires plus Ground	Hertz
120	14	1700	Yes	NEMA 5-15P	336	60°F (15.5°C)	1	2	60
120/208	13	2650	-	N/A	1088	60°F (15.5°C)	1	-	-
120/240	15	3500	-	N/A	1293	60°F (15.5°C)	1	-	-

## Plumbing Requirements

PSI	kPa	Fitting Supplied	Water Flow Required (GPM)
20-90	138-621	1/4" Male Flare Fitting	-

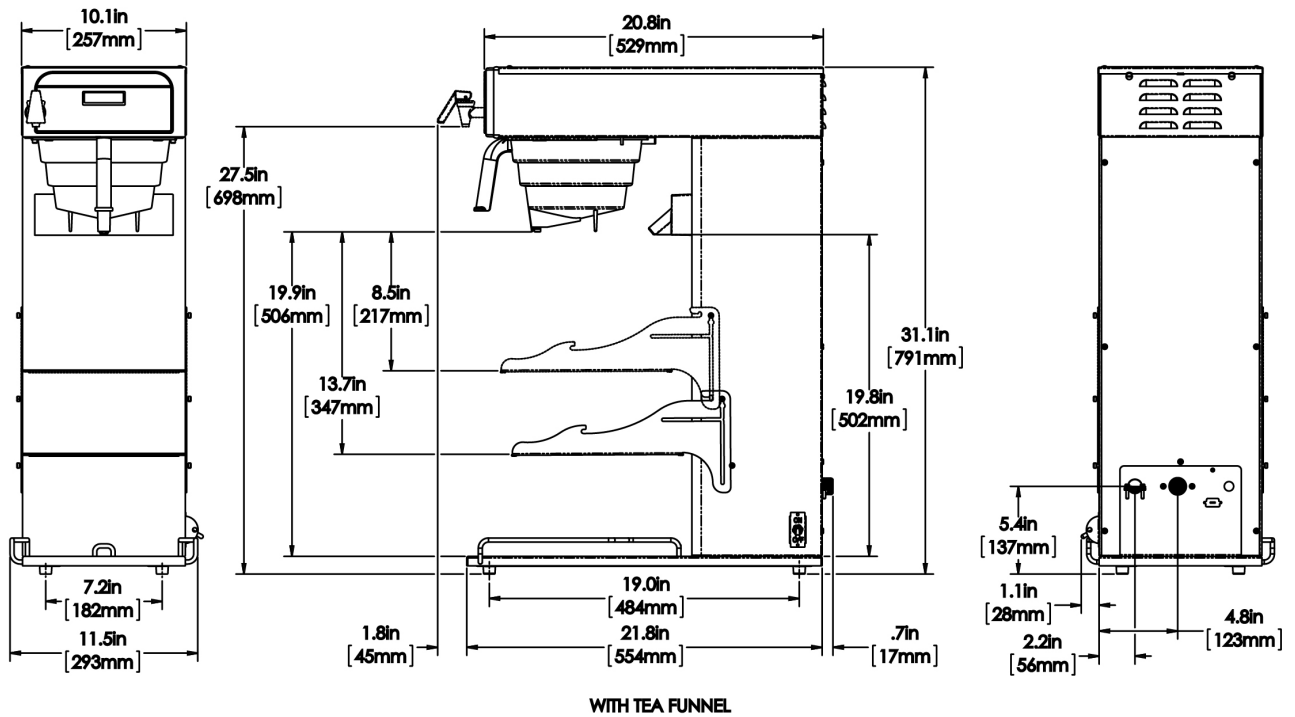
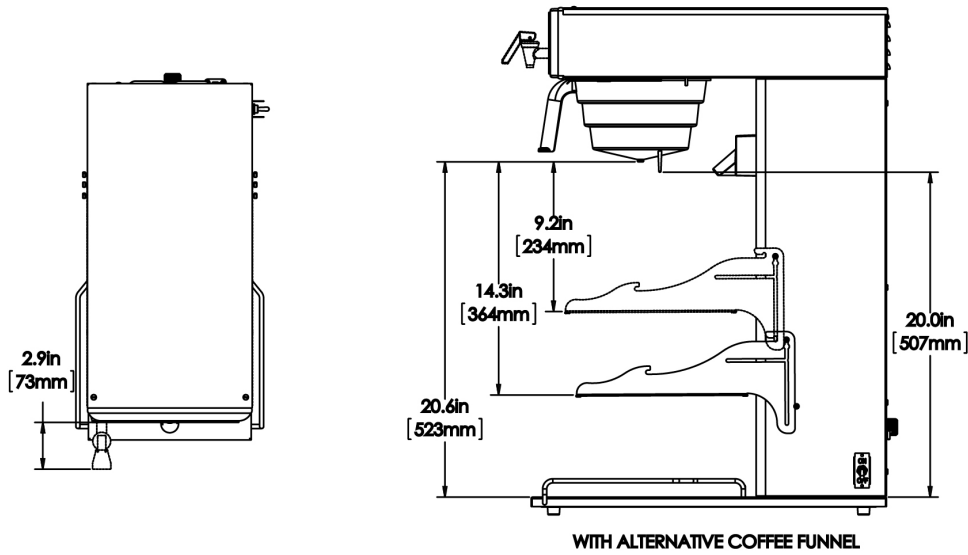
## CAD Drawings

2D	Revit	KLC
●		



BUNN® reserves the right to change specifications and product design without notice. Such revisions do not entitle the buyer to corresponding changes, improvements, additions or replacements for previously purchased equipment. For most current specifications and other info visit [bunn.com](http://bunn.com).

Created on:  
08/04/2017



Unit			Shipping					
	Width	Height	Depth	Width	Height	Depth	Weight	Volume
English	11.5 in.	31.1 in.	23.8 in.	-	-	-	45.760 lbs	-
Metric	29.2 cm	79.0 cm	60.5 cm	-	-	-	20.757 kgs	-



BUNN® reserves the right to change specifications and product design without notice. Such revisions do not entitle the buyer to corresponding changes, improvements, additions or replacements for previously purchased equipment. For most current specifications and other info visit [bunn.com](http://bunn.com).

Created on:  
08/04/2017

# Related Products & Accessories:ITCB-DV-DBC (short) w/Intgrtd Flip Tray(35700.0020)



FUNNEL ASSY,SMOKE-  
TEA(TU3/T3)

Product #: 03021.0004



FUNNEL ASSY,BLK-  
CENTER OUTLET

Product #: 03021.0008



FILTERS TEA/SYS2  
500PK/1 50/CL

Product #: 20100.0000



PAPEL FILTRANTE

Product #: 20100.0000



FILTERS, GOURMET 500  
500/1 50/CL

Product #: 20138.1000



PAPEL FILTRANTE

Product #: 20138.1000



POUCHPACK FUNL AY,  
TEA SMK S-T

Product #: 35282.0002



WATER FILTER,  
EQHP-10

Product #: 39000.0004



WATER FILTER, EQHP-  
TEA

Product #: 39000.0007



CARTRIDGE,  
EQHP-10CRTG

Product #: 39000.1004

NO IMAGE  
AVAILABLE

CARTRIDGE, EQHP-  
TEACRTG

Product #: 39000.1007



BUNN® reserves the right to change specifications and product design without notice. Such revisions do not entitle the buyer to corresponding changes, improvements, additions or replacements for previously purchased equipment. For most current specifications and other info visit [bunn.com](http://bunn.com).

Created on:  
08/04/2017

# Serving & Holding Options: ITCB-DV-DBC (short) w/Intgrtd Flip Tray(35700.0020)



TF SERVER, DSG2 1G  
BLK CD

Product #:42700.0004



TF SERVER, DSG2 1.5G  
BLK CD

Product #:42750.0010



TF SERVER, 1G/3.8L  
MECH BLK

Product #:44000.0001



TERMO

Product #:44000.0001



TERMO

Product #:44050.0000



TDO-4, W/BREW THRU  
LID & LIFT HANDLE

Product #:34100.0020



TF SERVER, 1.5G/5.7L  
MECH

Product #:44050.0000



AIRPOT, 2.5L GL PB  
SINGLE PK

Product #:13041.0001



AIRPOT, 2.5L GL PB 6/  
CASE

Product #:13041.0101



AIRPOT, 2.5L SST LA  
SINGLE PK

Product #:32125.0000



AIRPOT, 2.5L SST LA 6/  
CASE

Product #:32125.0100



TDS-3, 3 GAL

Product #:33000.0000



TDO-4, RESERVOIR

Product #:34100.0000



TDO-4, RESERVOIR  
BREW THRU

Product #:34100.0002



AIRPOT, 3.8L SST LA  
SINGLE PK

Product #:36725.0000



AIRPOT, 3.8L SST LA 6/  
CASE

Product #:36725.0100



TF SERVER, DSG2  
1G/3.8L

Product #:42700.0000



TF SERVER, DSG2  
1G/3.8L BLK

Product #:42700.0001



TF SERVER, DSG2 1.5G  
SST

Product #:42750.0000



TF SERVER, DSG2 1G  
CD

Product #:42700.0003



BUNN® reserves the right to change specifications and product design without notice. Such revisions do not entitle the buyer to corresponding changes, improvements, additions or replacements for previously purchased equipment. For most current specifications and other info visit [bunn.com](http://bunn.com).

Created on:  
08/04/2017

# Serving & Holding Options: ITCB-DV-DBC (short) w/Intgrtd Flip Tray(35700.0020)



TF SERVER, DSG2 1.5G  
CD

Product #:42750.0003



TERMO

Product #:32125.0000



TERMO

Product #:32125.0100



AIRPOT, 3.0L SST LA  
SINGLE PK

Product #:32130.0000



TERMO

Product #:32130.0000



AIRPOT, 3.0L SST LA 6/  
CASE

Product #:32130.0100



TERMO

Product #:32130.0100



DISPENSADOR DE TÉ

Product #:34100.0002



TERMO

Product #:36725.0000



TERMO

Product #:42700.0000



TF SERVER, DSG2 1.5G  
BLK

Product #:42750.0001



TERMO

Product #:42750.0001



TF SERVER, 1G/3.8L  
MECH

Product #:44000.0000



TERMO

Product #:44000.0000



TF SERVER, 1.5G/5.7L  
MECH BLK

Product #:44050.0001



TERMO

Product #:44050.0001



BUNN® reserves the right to change specifications and product design without notice. Such revisions do not entitle the buyer to corresponding changes, improvements, additions or replacements for previously purchased equipment. For most current specifications and other info visit [bunn.com](http://bunn.com).

Created on:  
08/04/2017