

iMIX-5 Black, Top Hinge Door

Height: 32.8" Width: 19.3" Depth: 24.0"
(83.3cm) (49.0cm) (61.0cm)



- 7gal (26.5L) hot water tank to meet peak serving times
- Alphanumeric display communicates advertising messages, machine status and technical support contact information
- Auger motors with RPM feedback monitoring assure consistent flavors and profits by controlling powder dosing
- Capacity: Five 8lb (3.6kg) hoppers
- Cup clearance at 7.25" (18.4cm) to accommodate popular cup sizes [adjustable to 8.12" (20.6cm)]
- Front of machine access to tank drain, dump valves, auger and whipper motors and control board for easy service set up and calibration
- High speed heavy-duty whipper for complete product mixing
- Low product detection system alerts audibly and with message on display when hoppers are low
- High efficiency LED lighted front graphics for merchandising
- Night mode to prevent pilferage
- Spring-loaded, all metal auger drive system for easy hopper installation

Agency:



Specifications

Product #: 37000.0020

Door: Top Hinge

Water Access: Plumbed

Dispense: Push Button

Finish: Stainless

Hoppers: Five

Additional Features

Electrical & Capacity

| Volts* | Amps | Watts | Cord Attached | Plug Type | 8oz cups/hr 236ml cups/hr | Input H ₂ O Temp. | Phase | # Wires plus Ground | Hertz |
|--------|------|-------|---------------|-----------|------------------------------|---------------------------------|-------|------------------------|-------|
| 120 | 15 | 1800 | - | - | 72 | 60°F (15.5°C) | 1 | 2 | 60 |

*When a BUNN is machine rated 120/208-240V, 120/208V or 120/240V, the higher voltage is the supply voltage needed to power the machine. The 120V is there to supply power to some components rated 120V in the machine, but it is not the supply voltage and would not power the machine if the machine is marked with the before mentioned ratings.

Plumbing Requirements

| PSI | kPa | Fitting Supplied | Water Flow Required (GPM) |
|--------|---------|-------------------------|---------------------------|
| 20-100 | 138-689 | 1/4" Male Flare Fitting | - |

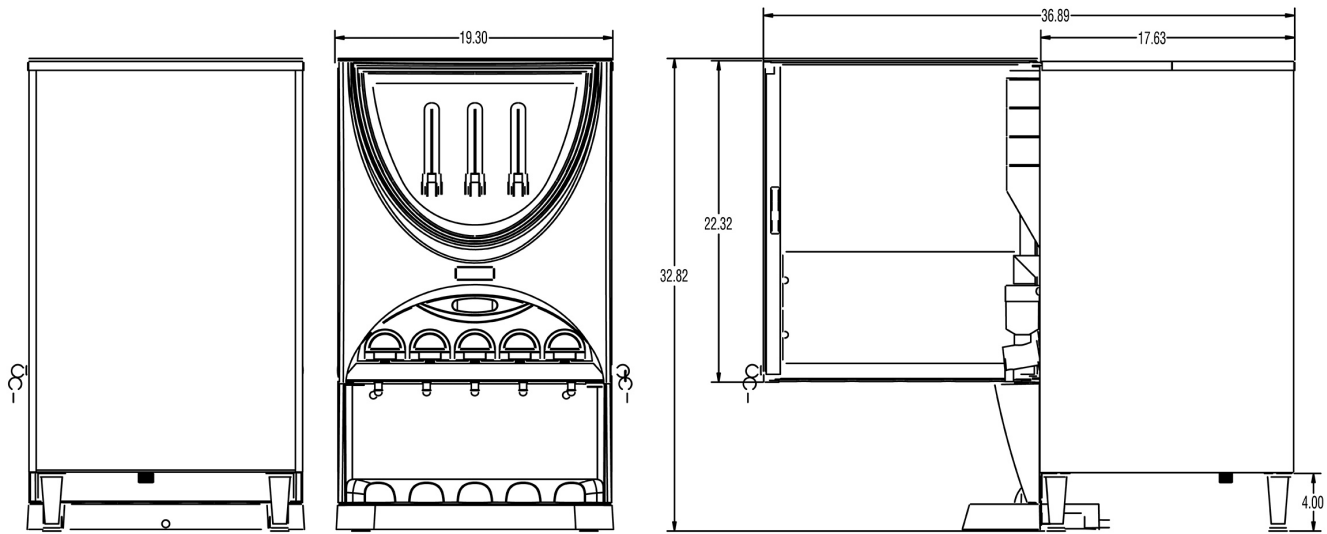
CAD Drawings

| 2D | Revit | KLC |
|----|-------|-----|
| ● | ● | ● |

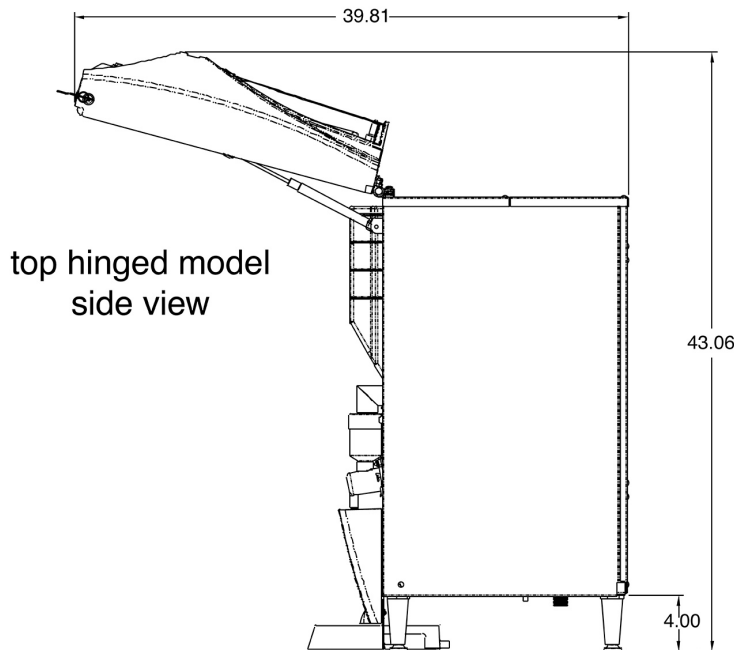


BUNN® reserves the right to change specifications and product design without notice. Such revisions do not entitle the buyer to corresponding changes, improvements, additions or replacements for previously purchased equipment. For most current specifications and other info visit bunn.com.

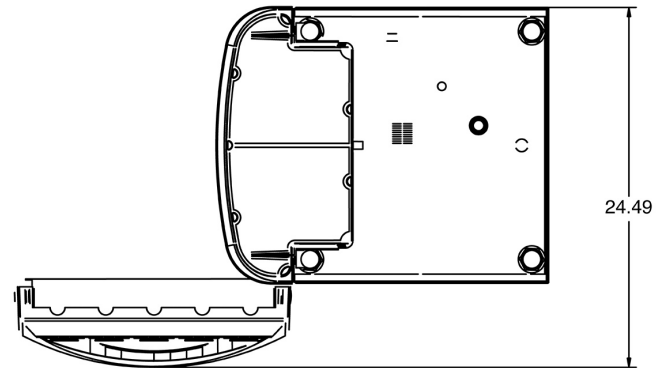
Last Updated:
04/29/2020



side hinged model
side views



top hinged model
side view



| Unit | | | Shipping | | | | | |
|---------|----------|----------|----------|--------|-------|-------|-------------|--------|
| | Height | Width | Depth | Height | Width | Depth | Weight | Volume |
| English | 32.8 in. | 19.3 in. | 24.0 in. | - | - | - | 136.000 lbs | - |
| Metric | 83.3 cm | 49.0 cm | 61.0 cm | - | - | - | 61.690 kgs | - |



BUNN® reserves the right to change specifications and product design without notice. Such revisions do not entitle the buyer to corresponding changes, improvements, additions or replacements for previously purchased equipment. For most current specifications and other info visit bunn.com.

Last Updated:
04/29/2020

Related Products & Accessories:iMIX-5 Black, Top Hinge Door(37000.0020)

DISPLAY, GRAPHICS
(iMIX-4/5)

Product #: 36768.0000

DISPLAY, GRAPHICS
ICED CAP

Product #: 36768.0005



BUNN® reserves the right to change specifications and product design without notice. Such revisions do not entitle the buyer to corresponding changes, improvements, additions or replacements for previously purchased equipment. For most current specifications and other info visit bunn.com.

Last Updated:
04/29/2020

Serving & Holding Options: iMIX-5 Black, Top Hinge Door(37000.0020)

Serving and Holding selections are currently unavailable. Please contact your sales representative to find out more information.



BUNN® reserves the right to change specifications and product design without notice. Such revisions do not entitle the buyer to corresponding changes, improvements, additions or replacements for previously purchased equipment. For most current specifications and other info visit bunn.com.

Last Updated:
04/29/2020