


AXIOM-DV-3 (2U/1L Warmer)

21.0" x 22.1" x 8.4"
(53.3cm x 56.1cm x 21.3cm)



- Adjusts automatically to varying water pressure
- Automatic warmer shut-off
- For high lime areas, BrewLOGIC® technology calculates flow rate and adjusts brew time to maintain consistent pot levels
- Electronic diagnostics and built-in tank drain make service easier
- Ensure coffee quality with programming for brew level, cold brew lock-out and tank temperature, set easily from the front of the machine
- Coffee extraction controlled with programmable pre-infusion, pulse brew and digital temperature control
- Large 200oz. (5.9L) tank provides back-to-back brewing capacity
- Energy-saver mode reduces tank temperature during idle periods
- Hot water faucet (requires active plumbing connection)
- SplashGard® funnel deflects hot liquids away from the hand
- Pourover feature
- Dual voltage adaptable (Can operate at 120V/15 amp or 120/208-240V/20 amp)
- PROP 65 Warning Decal included in packaging with equipment
- Servers not included unless otherwise noted

Agency:

 Server(s) sold separately

Specifications

Product #: 38700.0023

Water Access: Plumbed

Finish: Stainless

Funnel: Black Plastic

Faucet: Upper

Warmers: Two Upper/ One Lower

Additional Features

Pourover Option

DBC

Electrical & Capacity

Volts	Amps	Watts	Cord Attached	Plug Type	8oz cups/hr 236ml cups/hr	Input H ₂ O Temp.	Phase	# Wires plus Ground	Hertz
120	15	1800	Yes	NEMA 5-15P	67	60°F (15.5°C)	1	2	60
120/208	16	2980	-	N/A	121	60°F (15.5°C)	1	3	60
120/240	18	3850	-	N/A	121	60°F (15.5°C)	1	3	60

Plumbing Requirements

PSI	kPa	Fitting Supplied	Water Flow Required (GPM)
20-90	138-621	1/4" Male Flare Fitting	-

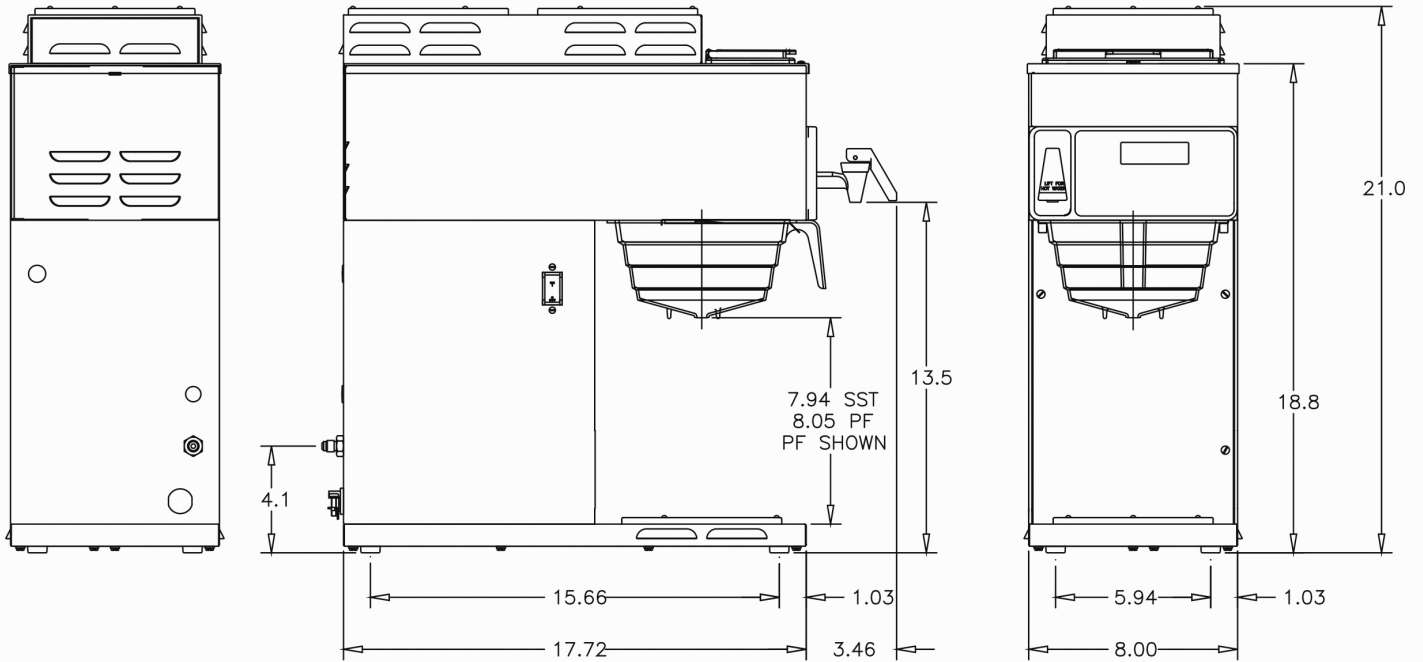
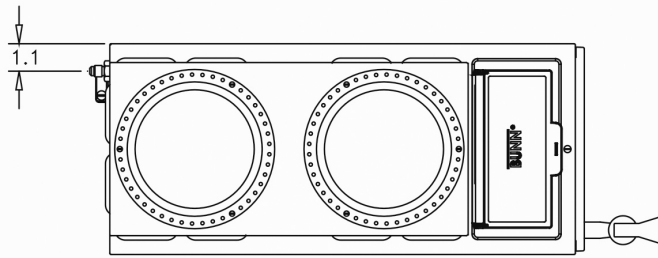
CAD Drawings

2D	Revit	KLC
●		



BUNN® reserves the right to change specifications and product design without notice. Such revisions do not entitle the buyer to corresponding changes, improvements, additions or replacements for previously purchased equipment. For most current specifications and other info visit bunn.com.

Created on:
07/18/2019



Unit			Shipping					
	Width	Height	Depth	Width	Height	Depth	Weight	Volume
English	8.4 in.	21.0 in.	22.1 in.	11.9 in.	24.8 in.	25.9 in.	34.500 lbs	3.807 ft ³
Metric	21.3 cm	53.3 cm	56.1 cm	30.2 cm	63.0 cm	65.8 cm	15.649 kgs	0.108 m ³



BUNN® reserves the right to change specifications and product design without notice. Such revisions do not entitle the buyer to corresponding changes, improvements, additions or replacements for previously purchased equipment. For most current specifications and other info visit bunn.com.

Created on:
07/18/2019

Related Products & Accessories: AXIOM-DV-3 (2U/1L Warmer)(38700.0023)



FILTERS,REGULAR1M
500/2 50/CL

Product #: 20115.0000



FUNNEL W/DECALS,
BLACK PLASTIC

Product #: 20583.0003



WATER FILTER
SYSTEM,EQ-17-TL

Product #: 30200.1000



WATER FILTER,IN LINE
ED-17-TL

Product #: 30201.1001



BUNN® reserves the right to change specifications and product design without notice. Such revisions do not entitle the buyer to corresponding changes, improvements, additions or replacements for previously purchased equipment. For most current specifications and other info visit bunn.com.

Created on:
07/18/2019

Serving & Holding Options: AXIOM-DV-3 (2U/1L Warmer)(38700.0023)



EASY POUR®,(BLK) 1/CS

Product #:06100.0101



EASY POUR®,(BLK) 2/CS

Product #:06100.0102



EASY POUR®,(BLK) 3/CS

Product #:06100.0103



EASY POUR®,(BLK) 6/CS

Product #:06100.0106



EASY POUR®,(BLK) 12/CS

Product #:06100.0112



EASY POUR®,(BLK) 24/CS

Product #:06100.0124



EASY POUR®,(BLK) 6-1/2/CS

Product #:06100.0156



EASY POUR®,(ORN) 1/CS

Product #:06101.0101



EASY POUR®,(ORN) 2/CS

Product #:06101.0102



EASY POUR®,(ORN) 3/CS

Product #:06101.0103



EASY POUR®,(ORN) 6/CS

Product #:06101.0106



EASY POUR®,(ORN) 12/CS

Product #:06101.0112



EASY POUR®,(ORN) 24/CS

Product #:06101.0124



DECANTER, GLASS-BLK 12C 24/CS

Product #:42400.0024



DECANTER, GLASS-BLK 12CUP 1PK

Product #:42400.0101



DECANTER, GLASS-BLK 12C 3/CS

Product #:42400.0103



DECANTER, GLASS-ORN 12C 24/CS

Product #:42401.0024



DECANTER, GLASS-ORN 12 CUP 1PK

Product #:42401.0101



DECANTER, GLASS-ORN 12C 3/CS

Product #:42401.0103



BUNN® reserves the right to change specifications and product design without notice. Such revisions do not entitle the buyer to corresponding changes, improvements, additions or replacements for previously purchased equipment. For most current specifications and other info visit bunn.com.

Created on:
07/18/2019