

1.5Gal(5.7L) TF Srvr no Base, DSG SST

14.7" x 12.7" x 9.1"
(37.3cm x 32.3cm x 23.1cm)



- Digital sight gauge operates on four easily replaceable AAA batteries with an average 1-year lifespan. Display shows low battery symbol when replacement is needed
- Unique lid design features a pour spout for easy emptying and cleaning
- Vacuum insulated to keep coffee hot for hours
- Volume indicator displays how much coffee is left inside the server
- Four-hour digital count-up timer
- Soft-grip bail handle for easy transportation
- Brew-through lid
- Contemporary styling and wrap program for maximum merchandising
- Fast flow faucet
- Ideal for use with the Infusion Coffee Brewer (ICB)
- Translucent faucet guard provides increased visibility while dispensing

Agency:



Specifications

Product #: 42750.0050

Finish: Stainless

Handle: Top Handle

Additional Features

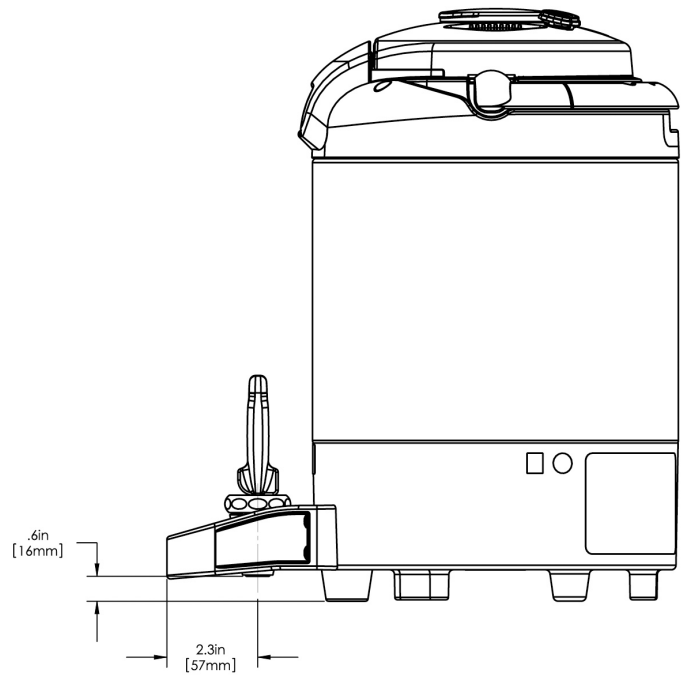
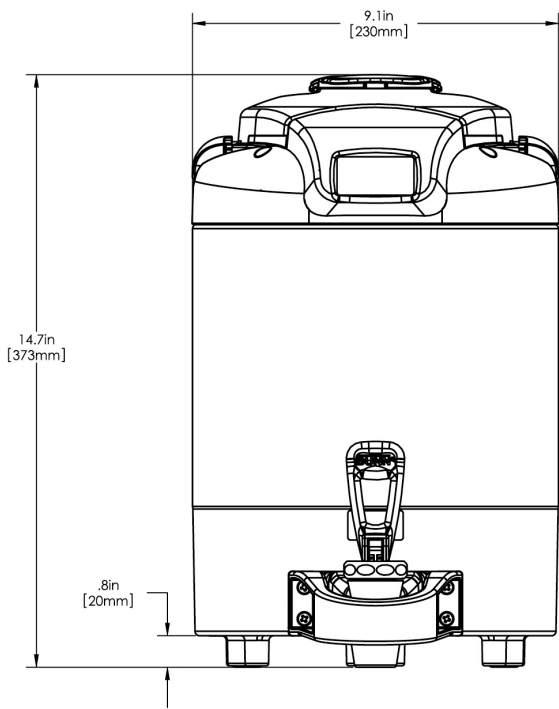
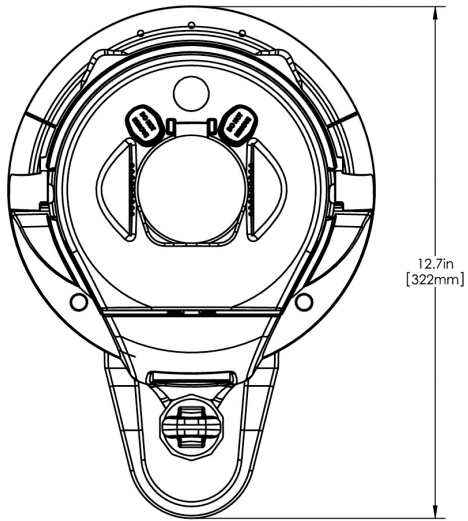
Holding Capacity

English	Metric
-	-



BUNN® reserves the right to change specifications and product design without notice. Such revisions do not entitle the buyer to corresponding changes, improvements, additions or replacements for previously purchased equipment. For most current specifications and other info visit bunn.com.

Created on:
08/29/2017



	Unit			Shipping				
	Width	Height	Depth	Width	Height	Depth	Weight	Volume
English	9.1 in.	14.7 in.	12.7 in.	-	-	-	12.600 lbs	2.125 ft ³
Metric	23.1 cm	37.3 cm	32.3 cm	-	-	-	5.715 kgs	0.060 m ³



BUNN® reserves the right to change specifications and product design without notice. Such revisions do not entitle the buyer to corresponding changes, improvements, additions or replacements for previously purchased equipment. For most current specifications and other info visit bunn.com.

Created on:
08/29/2017

Related Products & Accessories: 1.5Gal(5.7L) TF Srvr no Base, DSG SST(42750.0050)



STAND ASSY, TF
SERVER

Product #: 39795.0003



BUNN® reserves the right to change specifications and product design without notice. Such revisions do not entitle the buyer to corresponding changes, improvements, additions or replacements for previously purchased equipment. For most current specifications and other info visit bunn.com.

Created on:
08/29/2017