

BUNN refresh -Counter Top Prtn Cntrl Blk

27.0" x 26.5" x 10.0"
(68.6cm x 67.3cm x 25.4cm)



- Offers three portion control settings for Still Water, and three portion control settings for Sparkling Water
- In-line patent-pending water mistifier provides the delicate balance of purified, cold water and "light" carbonation for longer lasting sparkling water and optimal absorption of flavors
- Recirculation loop ensures cold water is constantly circulating for consistent low casual drink temperature of 40°F water
- Purity achieved with water filtration technology certified to reduce cysts, lead, particulates, chloramines, chlorine taste and odor and up to 99.99% of common water-borne bacteria
- The perfect instrument to incorporate infusions and natural ingredients for crafted beverages
- Recommended for the Quick Serve, Full Service Restaurant, Healthcare, College and University, Amusement and Leisure, Office Systems, Lodging/Hospitality, Convenience Store and Specialty/Retail Bar channels
- New visual design language worthy of front-of-the-house settings

Servers and airpots sold separately

Agency:



Specifications

Product #: 45800.0001

Water Access: Plumbed

Finish: Black

Door: Side Hinge

Dispense: Portion Control

Additional Features

Electrical & Capacity

Volts	Amps	Watts	Cord Attached	Plug Type	8oz cups/hr 236ml cups/hr	Input H ₂ O Temp.	Phase	# Wires plus Ground	Hertz
120	5.2	540	Yes	NEMA 5-15P	-	60°F (15.5°C)	1	2	60

Plumbing Requirements

PSI	kPa	Fitting Supplied	Water Flow Required (GPM)
30-100	207-689	3/8" Male Flare Fitting	1.40

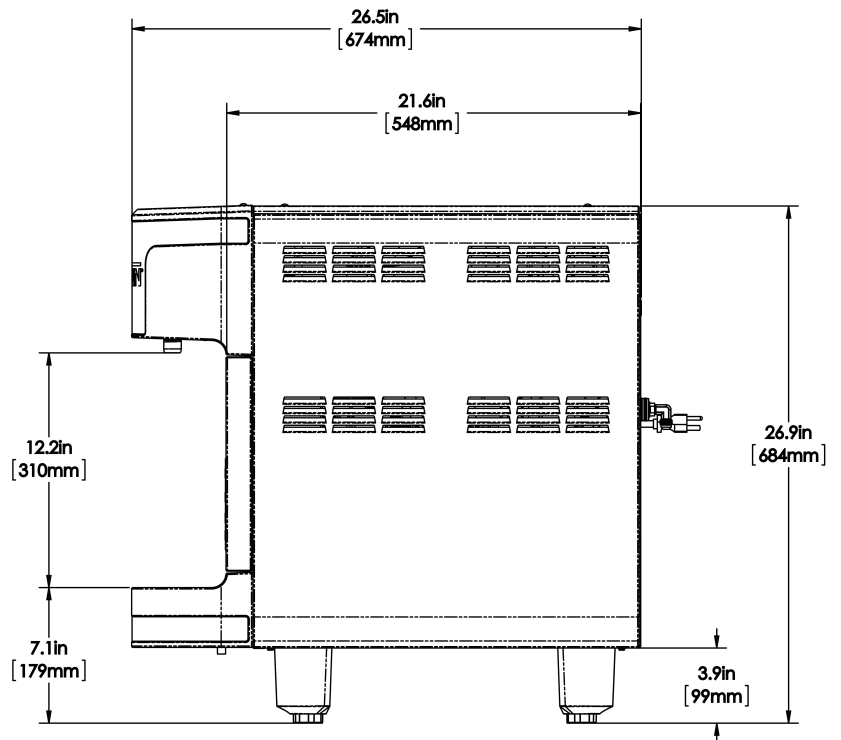
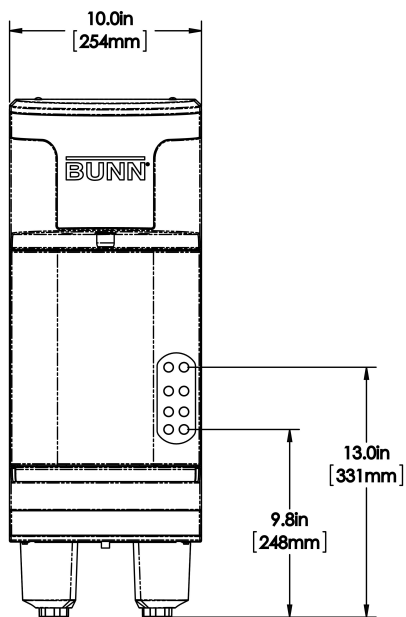
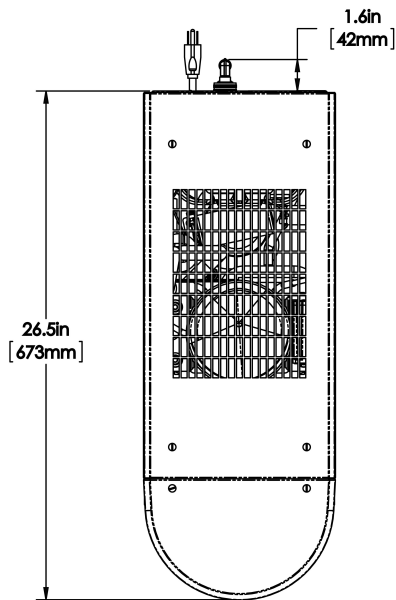
CAD Drawings

2D	Revit	KLC
●		



BUNN® reserves the right to change specifications and product design without notice. Such revisions do not entitle the buyer to corresponding changes, improvements, additions or replacements for previously purchased equipment. For most current specifications and other info visit bunn.com.

Created on:
07/31/2017



	Unit			Shipping				
	Width	Height	Depth	Width	Height	Depth	Weight	Volume
English	10.0 in.	27.0 in.	26.5 in.	-	-	-	103.000 lbs	17.917 ft³
Metric	25.4 cm	68.6 cm	67.3 cm	-	-	-	46.721 kgs	0.507 m³



BUNN® reserves the right to change specifications and product design without notice. Such revisions do not entitle the buyer to corresponding changes, improvements, additions or replacements for previously purchased equipment. For most current specifications and other info visit bunn.com.

Created on:
07/31/2017

Related Products & Accessories: BUNN refresh -Counter Top Prtn Cntrl Blk(45800.0001)



WATER FILTER,
EQHP-5C

Product #: 39000.0014



CARTRIDGE,
EQHP-5CCRTG

Product #: 39000.1014



KIT, CO2 TWIN 20 LB
TANK RACK W/
REGULATOR

Product #: 52367.1000



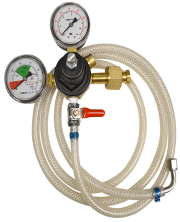
RACK CON
ACCESORIOS

Product #: 52367.1000



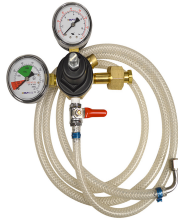
BOTTLES, GLASS
WATER 12PK

Product #: 52720.0001



KIT, PRIMARY CO2
REGULATOR

Product #: 52820.0000



REGULADOR DE
PRESION CO2 CON
ACCESORIOS

Product #: 52820.0000



BUNN® reserves the right to change specifications and product design without notice. Such revisions do not entitle the buyer to corresponding changes, improvements, additions or replacements for previously purchased equipment. For most current specifications and other info visit bunn.com.

Created on:
07/31/2017