



Conforms to UL STD. 763 and NSF Std. 08

# MIRRA 220 - 250 - 300C - 300 Plus

## 9", 10" and 12" Slicers



Mirra 250



- High-quality, stylish, lightweight and compact space saving design
- Easy to carry for catering needs
- The only ones in their class featuring a fan-cooled motor to avoid overheating
- Safety hand guard mounted to the carriage
- The easy, fast breakdown and the increased blade and machine body gap makes cleaning a breeze
- Mirra 300 Plus features a great cutting capacity in a compact footprint, a powerful motor and a permanent blade rim guard.

### Features

#### Technical:

- The slide shaft is made of ground, chromed steel for a smoother operation.
- The high-quality bushings and ball bearings are self-lubricating.
- The dial thickness control cam system allows for an always precise cut.

#### Safety:

- A safety cover is placed under the motor and the electrical components.
- The hopper features an exclusive heavy duty plastic protection to keep operator's hand at a safe distance from the blade while operating the slicer.

#### Sanitary:

- Easy to clean aluminum alloy construction does not crack or stain.
- The carriage and the blade cover are quickly removable without tools.

### Specifications

<b>Operation:</b>	Gravity feed.
<b>Construction:</b>	Polished, anodized aluminum alloy.
<b>Knife:</b>	One piece, chromium plated 100Cr6 forged carbon steel blade.
<b>Sharpener:</b>	Built-in, removable two stone dual action.
<b>Slice thickness:</b>	Infinitely variable up to 1/2"
<b>Motor 220-250-300C:</b>	0,25 Hp (185W), belt-driven, air cooled.
<b>Motor 300:</b>	0.33 Hp (245W), up to 0.5 Hp peak, belt-driven, fan cooled.
<b>Electrical 220-250-300C:</b>	120V AC, 60Hz, 1.55 Amp. (220V, 50Hz available on request).
<b>Electrical 300:</b>	120V AC, 60Hz, 1.8A (220V, 50Hz available on request).
<b>Plug &amp; Cord:</b>	Attached, flexible, 3 wire SJT AWG 18, 6'4" long.
<b>Switch:</b>	On/Off button.

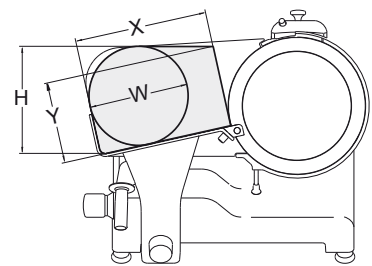
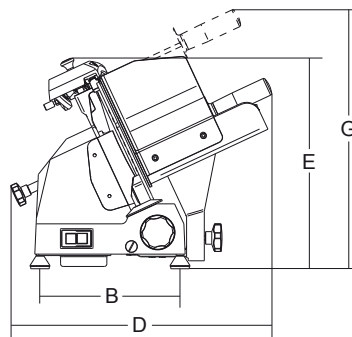
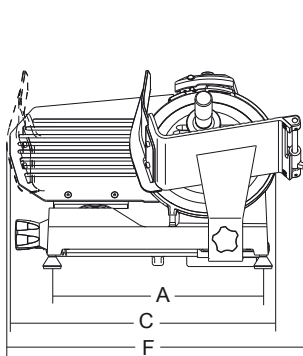




Mirra 300 PLUS



Mirra 300 C



	Ø Blade	Motor	Cut thickness	Blade rpm	Carriage stroke	Hopper	A	B	C	D	E	F	G	X	Y	H	W	Net weight	Shipping	Gross weight
	mm/inch	watt/Hp	inch.	rpm	inch.	inch.	inch.	inch.	inch.	inch.	inch.	inch.	inch.	inch.	inch.	inch.	inch.	lbs.	inch.	lbs.
<b>Mirra 220</b>	220/9"	185-0,25	1/2"	408	9 5/8"	9 1/16" x 9 1/16"	15 9/16"	9 5/8"	18 7/8"	22 1/16"	14 9/16"	22 7/16"	18 11/16"	8 1/4"	5 5/16"	6 11/16"	6 5/16"	33	23 5/8" x 19 11/16" x 16 9/16"	37
<b>Mirra 250</b>	250/10"	185-0,25	1/2"	335	9 5/8"	9 1/16" x 9 1/16"	15 9/16"	9 5/8"	19 11/16"	22 1/16"	14 9/16"	22 7/16"	18 11/16"	8 7/16"	5 11/16"	7 1/16"	6 11/16"	35	23 5/8" x 19 11/16" x 16 9/16"	40
<b>Mirra 300 C</b>	300/12"	185-0,25	1/2"	335	9 5/8"	9 1/16" x 9 1/16"	15 9/16"	9 5/8"	19 11/16"	22 1/16"	14 9/16"	22 7/16"	18 11/16"	8 7/16"	5 11/16"	8 7/8"	7 1/2"	35	23 5/8" x 19 11/16" x 16 9/16"	40
<b>Mirra 300 Plus</b>	300/12"	245-0,33 - 0.5 peak	1/2"	350	11 1/4"	9 13/16" x 10 13/16"	17 1/8"	11 5/8"	23 5/8"	24	16 9/16"	25 3/16"	20 1/16"	9 13/16"	7 5/16"	8 7/8"	8 1/4"	45	31 1/2" x 23 5/8" x 20 1/2"	63

