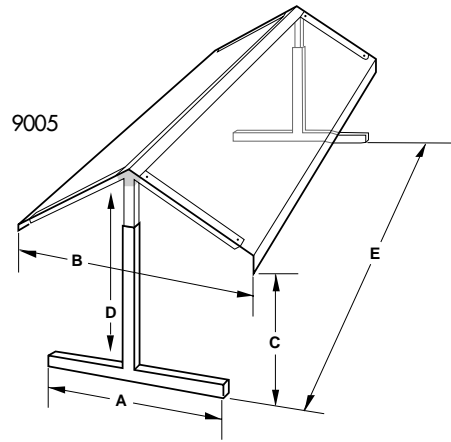


## SINGLE-SIDED SNEEZE GUARD

Dim. US	Standard 9148, 9160, 9172	Adjustable 9224, 9248, 9260, 9272
A	12.18	12.44
B	16.62	16.44
C	1.31	1.31
D	15.31	11.75 - 17.81
E	24.69	21.12 - 26.94



## DOUBLE-SIDED SNEEZE GUARD

Dim. US	Standard 9710, 9712	Adjustable 9720, 9722
A	22.37	22.37
B	29.12	29.12
C	15.25	11.81 - 17.94
D	25.37	22.06 - 28.06
E	9710 - 48.00 9712 - 73.37	9720 - 48.25 9722 - 73.62

## TECH SPECS

### SNEEZE GUARDS

shown on page 130

Material: Acrylic, Aluminum

Prod. No.	Length	Depth
<b>Single-Sided Sneeze Guards</b> Height 26", Clearance from tabletop 14-1/2"		
9148	48.00	12.19
9160	60.00	12.19
9172	73.37	12.19
<b>Single-Sided Adjustable Sneeze Guards</b> Adjust lowest edge of guard from 10-1/2" to 16-1/2" from tabletop		
9224	24.25	12.44
9248	48.25	12.44
9260	60.25	12.44
9272	73.62	12.44
<b>End Panel Sneeze Guards</b>		
9051	14.00	10.00
9052	28.04	9.90
<b>Double-Sided Standard Sneeze Guards</b> Height 26", Clearance from tabletop 14-1/2"		
9710	48.00	29.12
9712	73.37	29.12

Prod. No.

Length

Depth

### Double-Sided Adjustable Sneeze Guards

Adjust lowest edge of guard from 10-1/2" to 16-1/2" from tabletop

9720	48.25	29.12
9722	73.62	29.12

### Suspended Sneeze Guards

Also includes chain and mounting kit for standard and suspended ceiling

9404	Single-Sided	48.00	12.19
9406	Single-Sided	73.37	12.19
9414	Double-Sided	48.00	29.12
9416	Double-Sided	73.37	29.12

## FIVE★STAR™ BUFFET BARS

shown on page 130

Material: Polyethylene

Prod. No.	Int/Ext Length	Int/Ext Width	Depth/Height
7670	38.87/44.00	19.87/24.87	4.62/6.62
7671	65.00/70.63	19.12/24.87	4.62/6.62

