



Project name:	
Location:	
Item:	Qty:
Model:	

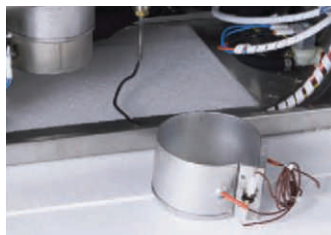
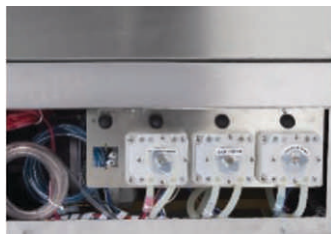
X-33 cleans your dishes and glassware.

This model is excellent for small restaurants, fast food operations, institutions, nursing homes, etc.

# X-33

## LOW-TEMP UNDERCOUNTER DISHWASHER





## PERFORMANCE FEATURES

- Fully automatic washing and rinsing operation with integrated chemical injection system
- Wash tank heater to keep water warmer longer
- Sanitary labyrinth door eliminates any gasket
- Deep drawn one piece unified inner chamber
- Rinse-additive pump for sparkling results
- Detergent pump for consistent results
- Chemical sanitizing pump
- Just the push of one button fills the wash tank
- New and improved wash arm design
- Highest quality fabrication using the most advanced machinery will ensure long-life and increased durability
- Slide out control panel for ease of service and maintenance

## CONSTRUCTION FEATURES

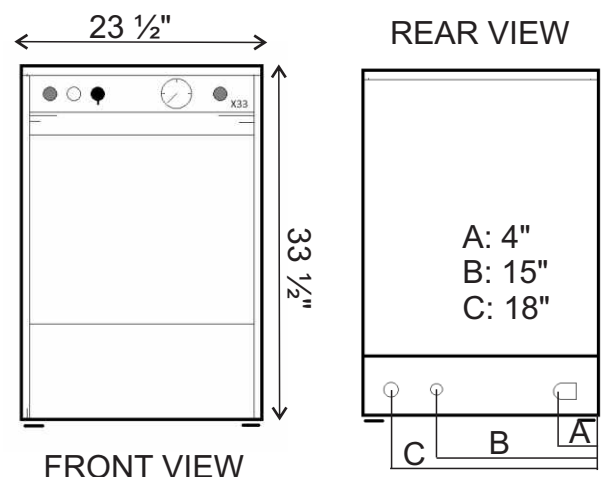
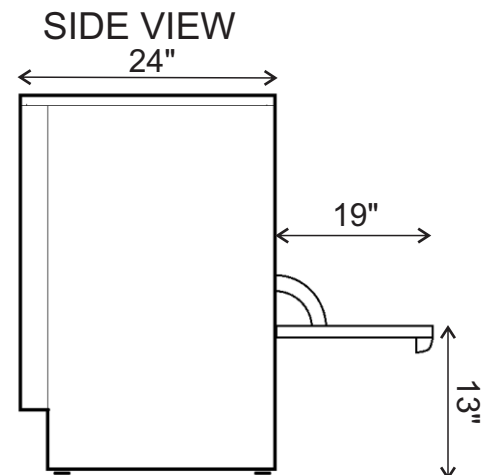
- Stainless steel pump impeller provides greater durability
- Standard insulated top and side panels
- Stainless steel upper and lower wash/rinse arms are interchangeable and easily removed for cleaning
- Body, external housing and all chassis components in brushed stainless steel AISI 304
- Door safety switch
- Adjustable peristaltic pumps for detergent, rinse and sanitizer
- Door opening of 15"
- Reliable mechanical type cam timer
- Detergent/chemical connections
- Delime switch
- Cycle counter
- Automatic drain valve mechanism assists to drain water up to a height of 36"
- Standard equipment includes: One open combination rack of one peg dish rack 19.75" x 19.75" (500 mm x 500 mm)

## TECHNICAL FEATURES

- **Rack capacity:** 37 racks per hour
- **Complete operating cycle:** 90 seconds
- **Water consumption:** 1.0 U.S. gallons
- **Motor-pump:** 0.75 H.P.
- **Electrical:** 115/60/1
- **Amperage:** 13.0 Amps / cord and plug included
- **Water supply:** 1/2" hot water supply 140°F (60°C)
- **Flow Pressure:** 25 PSI (dynamic) (PRV may be required)
- **Water inlet connection:** 3/4" male hose connector (hose included)
- **Drain connection:** 1" ID (25.4 mm) Max. height 36" (915 mm) (hose included)
- **Shipping weight:** 178 lbs (81 kg)

## OPTIONAL ACCESSORIES

- Pressure reducing valve (PRV) kit



### MVP GROUP CORP.

5659 Royalmount Ave., Montreal, Qc, Canada H4P 2P9  
 TEL: (514) 737-9701 - TOLL FREE: (888) 275-4538  
 FAX: (514) 342-3854 - TOLL FREE FAX: (877) 453-8832  
[www.mvpgroupcorp.com](http://www.mvpgroupcorp.com) - [sales@mvpgroupcorp.com](mailto:sales@mvpgroupcorp.com)

JET-TECH is a registered trade mark of MVP Group.  
 Specifications subject to change without notice.

WARRANTY: 1 year parts and labor. Certain conditions apply. See Owner's Manual for details.