

CAB3

Mobile Enclosed Three-Stack Dish Dispensers

Project _____
 Item _____
 Quantity _____
 CSI Section 11400
 Approved _____
 Date _____

Models

3 stack unheated dish dispensers

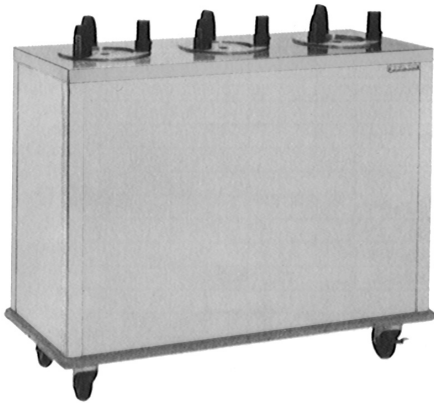
- CAB3-500
- CAB3-575
- CAB3-650
- CAB3-725
- CAB3-813
- CAB3-913
- CAB3-1013
- CAB3-1200
- CAB3-1450

3-stack even temp heated dish dispensers

- CAB3-500ET
- CAB3-575ET
- CAB3-650ET
- CAB3-725ET
- CAB3-813ET
- CAB3-913ET
- CAB3-1013ET
- CAB3-1200ET
- CAB3-1450ET

3-stack quick temp heated dish dispensers

- CAB3-813QT
- CAB3-913QT
- CAB3-1013QT
- CAB3-1200QT
- CAB3-1450QT



CAB3-575
with optional wrap-around bumpers

Standard Features

- Cabinet top to be 16-gauge stainless steel
 - Outer body and corners to be 20-gauge stainless steel
 - Non-marring gray corner bumpers
 - (4) 4.00" locking polyolefin swivel casters
 - Dispenser flange, channels and bottom to be integrally welded
 - Spring supports to be 14-gauge S/S
 - Carrier head made of welded rods with a removable 18-gauge top plate
 - Field adjustable self-leveling mechanism
 - High impact plastic guide posts mounted to flange
 - One year parts and 90 day labor warranty
- Heated, QT & ET, Features
- 9' cord and plug supplied
 - Convection heating module and fan motor per dispenser
 - 22-gauge stainless steel jacket around dispenser
 - Air intake shall be filtered
 - On/off switch on each dispenser
 - Adjustable thermostat per dispenser
 - QT - stainless steel cover per dispenser

- ET maintains 120-140°F (49-60°C)
- QT maintains 150-170°F (66-77°C)

Options & Accessories

- 12" diameter S/S dish dispenser tray (-1200 and -1450 models only)
- Rods for oval dishes and diameter adjustment (-813 through -1450 only)
- Stainless steel tube cover (-500 through -725 models only)
- Stainless steel dome cover (-813 through -1450 models only)
- Hold-down rod for dispenser tubes
- Wrap-around bumpers
- Four 4" or 5" polyurethane casters
- Flange-mount feet in lieu of casters
- 220 volt, 50/60 cycle, single phase electrical connections*
- Shorten dispenser tubes to special length
- Adjustable height casters

* Inclusion of these options will alter the electrical specifications of unit

Specifications

Cabinet top shall be 16-gauge stainless steel with all corners welded and polished and reinforced with heavy-gauge channels. Cabinet exterior panels and corner support angles shall be 20-gauge stainless steel. Unit shall have four 4.00" (10cm) diameter polyolefin swivel casters (all locking), and non-marring gray bumpers at each corner.

Dispenser tube shall have 3 vertical side channels and a bottom brace of 22-gauge stainless steel. Top supporting flange shall be 18-gauge stainless steel. Flange, channels and bottom brace shall be integrally welded together. Flange shall have 3 guide posts molded from high impact plastic.

Self-leveling mechanisms shall be field adjustable by adding or removing stainless steel extension springs on perimeter of vertical side channels. The dish carrier head shall be stainless steel welded rods with a removable 18-gauge stainless steel top plate.

Capacity of tubes shall be approximately 72 dishes, with a maximum stacking height of 24.00" (61cm).

Models without "-ET" or "-QT" suffix are unheated.

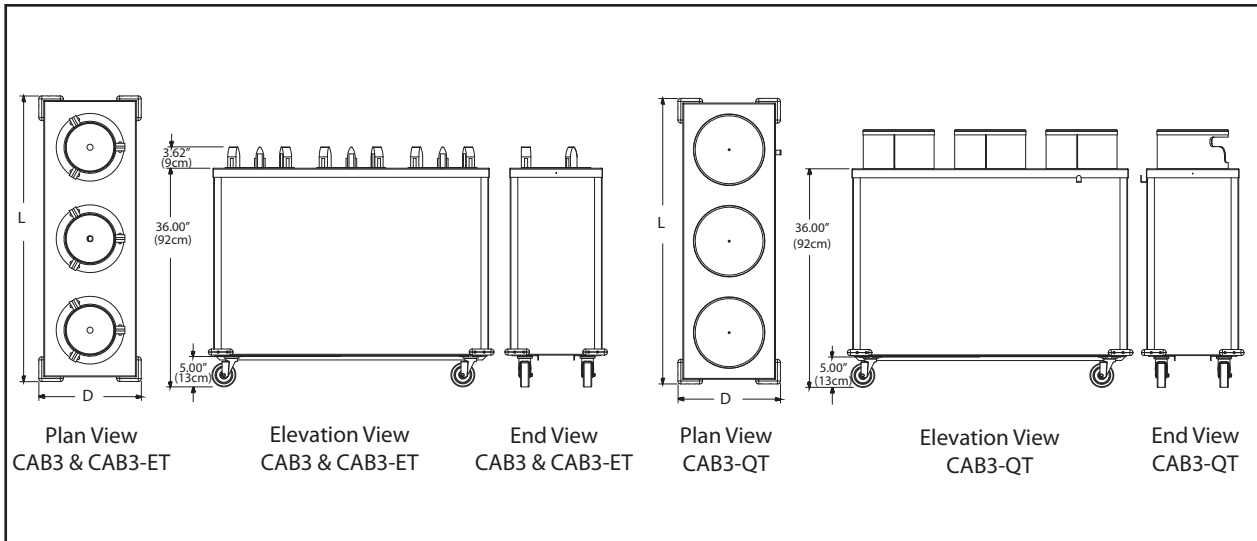
The Following Applies To CAB3-ET Even Temp Heated

Dispensers Only: Unit shall be supplied with 9' (2.7m) cord and NEMA 6-20P plug. Electrical connections shall be 208 volt, 60 hertz, single phase. Each tube shall have its own convection heating module consisting of a single 400 or 700 watt heating element and fan motor, located in the center of the interior bottom cavity. Air intake shall have a filter. Each tube shall have an adjustable thermostat inside the motor housing and an ON/OFF switch on one of the dish guide posts. Unit shall maintain temperature between 120°F-140°F (49°C-60°C).

The Following Applies To CAB3-QT Quick Temp Heated

Dispensers Only: Unit shall be supplied with 9' (2.7m) cord and NEMA 6-20P plug. Electrical connections shall be 208 volt, 60 hertz, single phase. Each tube shall have its own convection heating module consisting of a single 700 watt heating element and fan motor, located in the center of the interior bottom cavity. Air intake shall have a filter. Each tube shall have an adjustable thermostat inside the motor housing and an ON/OFF switch on one of the dish guide posts. Unit shall maintain temperature between 150°F-170°F (66°C-77°C). Each tube shall have a stainless steel cover.





Plan View CAB3 & CAB3-ET Elevation View CAB3 & CAB3-ET End View CAB3 & CAB3-ET Plan View CAB3-QT Elevation View CAB3-QT End View CAB3-QT

Specifications

Model	Length	Depth	Dish Diameter Range	Watts	Ship Weight
CAB3-500	41.25"/105cm	17.00"/43cm	3.00"-5.00"/8cm-13cm	N/A	173lbs/79kg
CAB3-575	41.25"/105cm	17.00"/43cm	5.00"-5.75"/13cm-15cm	N/A	176lbs/80kg
CAB3-650	41.25"/105cm	17.00"/43cm	5.75"-6.50"/15cm-17cm	N/A	177lbs/80kg
CAB3-725	41.25"/105cm	17.00"/43cm	6.50"-7.25"/17cm-18cm	N/A	179lbs/81kg
CAB3-813	47.25"/120cm	17.00"/43cm	7.25"-8.12"/18cm-21cm	N/A	190lbs/86kg
CAB3-913	47.25"/120cm	17.00"/43cm	8.12"-9.12"/21cm-23cm	N/A	193lbs/88kg
CAB3-1013	47.25"/120cm	17.00"/43cm	9.12"-10.12"/23cm-26cm	N/A	196lbs/89kg
CAB3-1200	53.25"/135cm	19.00"/48cm	10.12"-12.00"/26cm-30cm	N/A	212lbs/96kg
CAB3-1450	62.00"/158cm	21.50"/55cm	12.00"-14.50"/30cm-37cm	N/A	229lbs/104kg

Even Temp (ET) heated models

CAB3-500ET	41.25"/105cm	17.00"/43cm	3.00"-5.00"/8cm-13cm	1200	207lbs/94kg
CAB3-575ET	41.25"/105cm	17.00"/43cm	5.00"-5.75"/13cm-15cm	1200	210lbs/95kg
CAB3-650ET	41.25"/105cm	17.00"/43cm	5.75"-6.50"/15cm-17cm	1200	213lbs/97kg
CAB3-725ET	41.25"/105cm	17.00"/43cm	6.50"-7.25"/17cm-18cm	1200	219lbs/99kg
CAB3-813ET	47.25"/120cm	17.00"/43cm	7.25"-8.12"/18cm-21cm	2100	233lbs/106kg
CAB3-913ET	47.25"/120cm	17.00"/43cm	8.12"-9.12"/21cm-23cm	2100	239lbs/108kg
CAB3-1013ET	47.25"/120cm	17.00"/43cm	9.12"-10.12"/23cm-26cm	2100	245lbs/111kg
CAB3-1200ET	53.25"/135cm	19.00"/48cm	10.12"-12.00"/26cm-30cm	2100	262lbs/119kg
CAB3-1450ET	62.00"/158cm	21.50"/55cm	12.00"-14.50"/30cm-37cm	2100	277lbs/126kg

Quick Temp (QT) heated models

CAB3-813QT	47.25"/120cm	17.00"/43cm	7.25"-8.12"/18cm-21cm	2100	243lbs/110kg
CAB3-913QT	47.25"/120cm	17.00"/43cm	8.12"-9.12"/21cm-23cm	2100	249lbs/113kg
CAB3-1013QT	47.25"/120cm	17.00"/43cm	9.12"-10.12"/23cm-26cm	2100	255lbs/116kg
CAB3-1200QT	53.25"/135cm	19.00"/48cm	10.12"-12.00"/26cm-30cm	2100	272lbs/123kg
CAB3-1450QT	62.00"/158cm	21.50"/55cm	12.00"-14.50"/30cm-37cm	2100	287lbs/130kg

- ET & QT models are 208 volt, 60 hertz, single phase, 10.6 Amps and include a 9' (2.7m) cord with NEMA 6-20P plug.
- Optional adjusting rods (available on 813-1450 models only) reduce the maximum round dish diameter by 1.25" (3cm); overall adjustment by rods is 1.50" (4cm). Non-marking adjustment rods must be ordered for each individual dispenser tube; installed at factory only.

Delfield reserves the right to make changes to the design or specifications without prior notice.

CAB3

Mobile Enclosed Three-Stack Dish Dispensers