



CSRP Reach-Ins

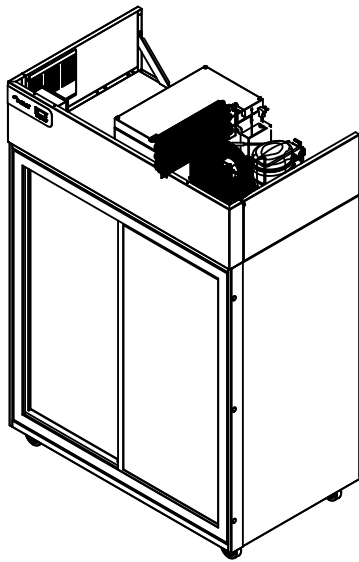
Coolscapes™ Reach-In Refrigerators w/Sliding glass doors

Project _____
 Item _____
 Quantity _____
 CSI Section 11400
 Approved _____
 Date _____

CSRP Reach-In Refrigerators w/Sliding glass doors

Models

CSR2P-GL



CSR2P-GL

Standard Features

- GreenGenius™ R290 top mount refrigeration system featuring TXV expansion valve and hot gas condensate removal
- Digital exterior temperature display with high/low temp visual alarms
- Energy saving LED interior light
- Removable side louver
- Accommodates full size sheet pans
- Smart door hinge that auto closes up to 90° and stays open past 90°
- Door locks
- 5" locking casters shipped loose for field installation
- 10' cord and plug attached
- Stainless steel exterior front, sides & interior
- Stainless steel pilaster with shelf clips
- 3 shelves per section
 - Chrome standard
- 115V / 60C / 1 P Standard

Options

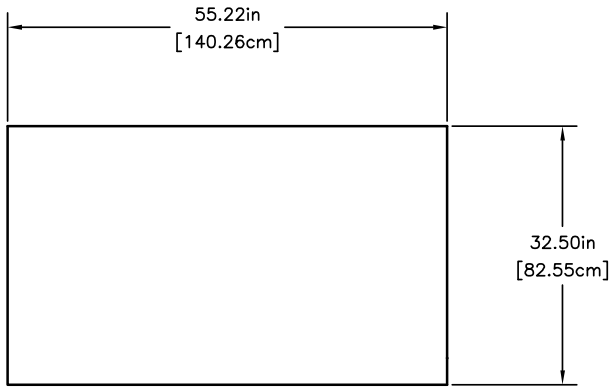
- 6" Stainless steel feet
- 6" Casters (all locking)
- 6" Stainless Steel flanged feet
- Additional chrome shelves
- Stainless steel shelves
- Stainless steel back
- Tray/Pan Slides – various
- Utility base
- Kick plate
- Laminate – front, ends, shroud
- Heat shield end – max temp 400 degrees
- Trim strips
- Foot Pedal Door Opener

Specifications

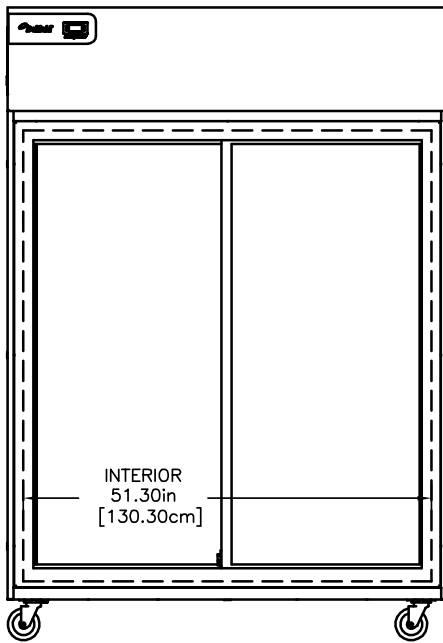
Refrigeration system: All components are mounted to the top cabinet ceiling, outside the food zone and are assembled as one piece and can be removed as one piece. Environmentally friendly R290 refrigerant is used. System has the capability of maintaining between 33°F and 40°F in heavy use food service operations. Refrigerant is metered using a highly responsive thermostatic expansion valve. System is controlled using an electronic temperature control, which provides improved pull down times, reducing compressor cycling and longer compressor life with lower energy consumption. Control system uses adaptive defrost to assure evaporator coil is free of ice and operating at optimum efficiency. Evaporator condensate is eliminated using an energy efficient hot gas system.

Units are completely insulated with high density foamed in place environmentally friendly, Kyoto Protocol Compliant, Non ODP (Ozone Depletion Potential), Non GWP (Global Warming Potential) polyurethane.

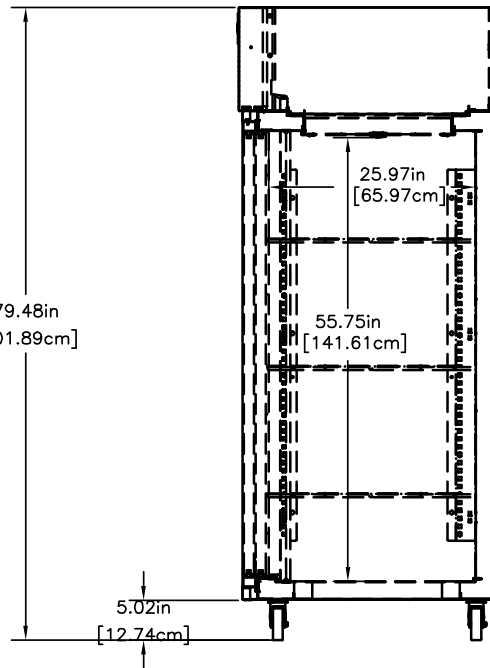




PLAN VIEW ALL
1 SECTION MODELS



ELEVATION VIEW ALL
1 SECTION MODELS



SIDE VIEW
ALL MODELS

Specifications									
Model	V/Hz/Ph	Amps	Volume Cu. Ft.	SHELF CAPACITY SQ. FT.	No. of Shelves	Unit H.P.	Btu/Hr System Cap	Ship Weight	Nema Plug
CSR2P-GL	115/60/1	6	46	25.25	6	0.38	3630		5-15P

Delfield reserves the right to make changes to the design or specifications without prior notice.