

# GUFP-S

## Undercounter/Worktable

Coolscares™ Undercounter/Worktable freezer with S/S doors

Project \_\_\_\_\_  
 Item \_\_\_\_\_  
 Quantity \_\_\_\_\_  
 CSI Section 11400  
 Approved \_\_\_\_\_  
 Date \_\_\_\_\_

### Models

- GUF27P-S Undercounter/Worktable Freezer, 27" L x 31.5" D x 36" H, S/S Door
- GUF32P-S Undercounter/Worktable Freezer, 32" L x 31.5" D x 36" H, S/S Door
- GUF48P-S Undercounter/Worktable Freezer, 48" L x 31.5" D x 36" H, S/S Door
- GUF60P-S Undercounter/Worktable Freezer, 60" L x 31.5" D x 36" H, S/S Door



GUF48P-S  
Shown with optional hinging

### Standard Features

- Durable, rugged stainless steel top and front
- Smart door hinge that auto closes up to 90 degrees and stays open past 90 degrees. 180 degree door opening
- Environmentally friendly R290 refrigerant
- High density foamed in place environmentally friendly, Kyoto Protocol Compliant, Non ODP (Ozone Depletion Potential), Non GWP (Global Warming Potential) polyurethane keeps energy costs low
- Integral door/drawer handle
- 5" (two locking, two non-locking) casters shipped loose for field installation
- 8' cord and plug supplied
- Gray epoxy coated shelves (1 per section) with stainless steel pilaster and shelf clips
- Electronic temperature control
- Energy-efficient door gasket removable without tools
- Replaceable door opening perimeter heater
- Field rehingable door
- 100% front breathing-clearance not required on top/sides
- Three year parts and labor warranty and an additional two year compressor parts warranty
- Cutting boards (composite or poly)
- 18" wide single or double tier overshef

### Options & Accessories

- Stainless steel finish on back
- Laminate
- Additional shelves
- Door lock (door models only)
- Exterior thermometer
- Energy-saving LED light
- Lower height casters
- 6" black legs
- 6" flanged feet
- Stacking collar on single section units
- 18-gauge heavy duty top
- Condenser filter
- Drawers - not available on 48"
- Stainless steel ends
- On/Off master switch

### Specifications

**Exterior top** is one-piece, stainless steel with integral 2.12" (5.4cm) square nosing on the front.

**Exterior back and bottom** is galvanized steel. Exterior ends are mill finish aluminum.

**Interior sides** are gray coated aluminum. Interior bottoms are anodized aluminum. Base is fully insulated with high-density foamed in place environmentally friendly, Kyoto Protocol Compliant, Non ODP (Ozone Depletion Potential), Non GWP (Global Warming Potential) polyurethane.

**Compressor** uses 1/4hp for 27"-32" and 1/3hp for 48"-60". System has the capacity of maintaining between -5°F (-20C) and 0°F (-18C) in heavy use food service operations. Refrigerant is metered using a highly responsive thermostatic expansion valve on 1/3hp systems and a capillary tube on 1/4hp systems. System is controlled using an electronic temperature control

which provides improved pull-down times, reducing compressor cycling and longer compressor life with lower energy consumption. Control system uses adaptive defrost to assure evaporator coil is free of ice and operating at optimum efficiency. Evaporator condensate is eliminated using an energy efficient hot gas system.

**Digital exterior temperature display** is located on the back of the cabinet.

**Electrical connection** is 115 volt, 60 Hertz, single phase. Unit has a 8' (2.4m) long electrical cord and NEMA 5-15P plug.

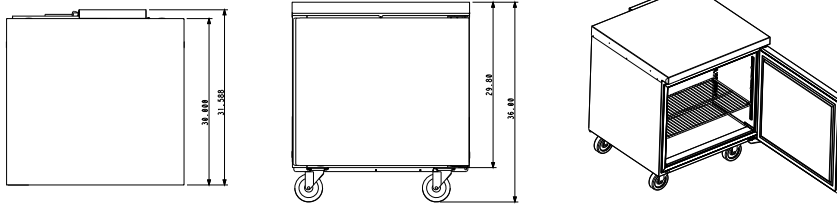
**Casters:** 5" (13cm) diameter plate casters shipped loose with front two locking. Equipment clearance above the floor is 6.2" (15.7cm).

**Door** has a stainless steel exterior, with thermoformed ABS plastic interior liner.

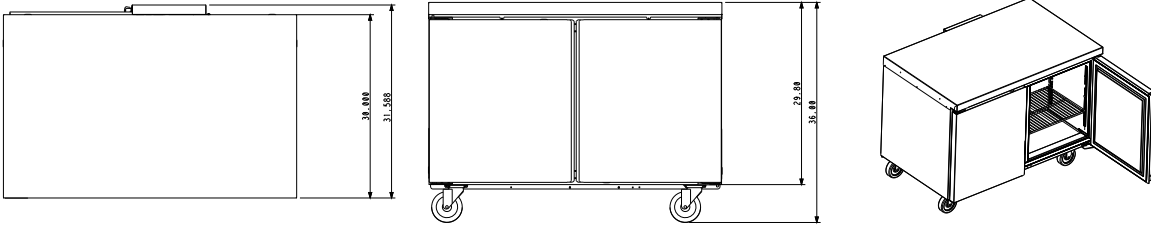


GUFP-S Undercounter/Worktable

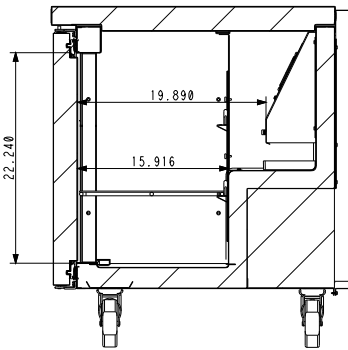
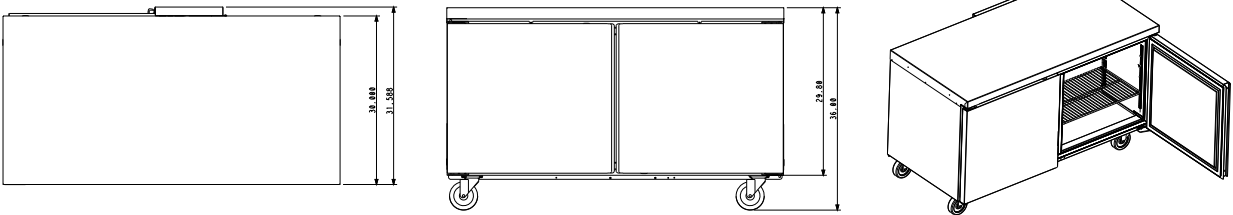
### GUF27P-S, GUF32P-S



### GUF48P-S



### GUF60P-S



SIDE VIEW ALL MODELS

UNIT DIMENSIONS						
UNIT	LENGTH	DEPTH	2"	3"	5"	INTERIOR DIMENSIONS
			CASTER HEIGHT	CASTER HEIGHT	CASTER HEIGHT	
			Optional		Standard	L x D x H
27	27"	31.59"	32"	34"	36"	24.9"x19.9"x22.2"
32	32"	31.59"	32"	34"	36"	27.9"x19.9"x22.2"
48	48"	31.59"	32"	34"	36"	43.9"x19.9"x22.2"
60	60"	31.59"	32"	34"	36"	55.9"x19.9"x22.2"

Specifications								
Model	HP	V	Hz	AMPS	Nema Plug	Vol (ft3)	Energy kWh	Ship Weight
GUF27P-S	0.315	115	60	2.6	5-15p	6.5	2.6041	151 lbs. (68kg)
GUF32P-S	0.315	115	60	2.6	5-15p	8.0	2.1747	165 lbs. (75kg)
GUF48P-S	0.355	115	60	6.4	5-15p	12.5	3.7767	224 lbs (102kg)
GUF60P-S	0.315	115	60	6.4	5-15p	16.2	4.0249	250 lbs. (113kg)

Welbilt reserves the right to make changes to the design or specifications without prior notice.