

Ambient Operating Limits: -20°F to 120°F

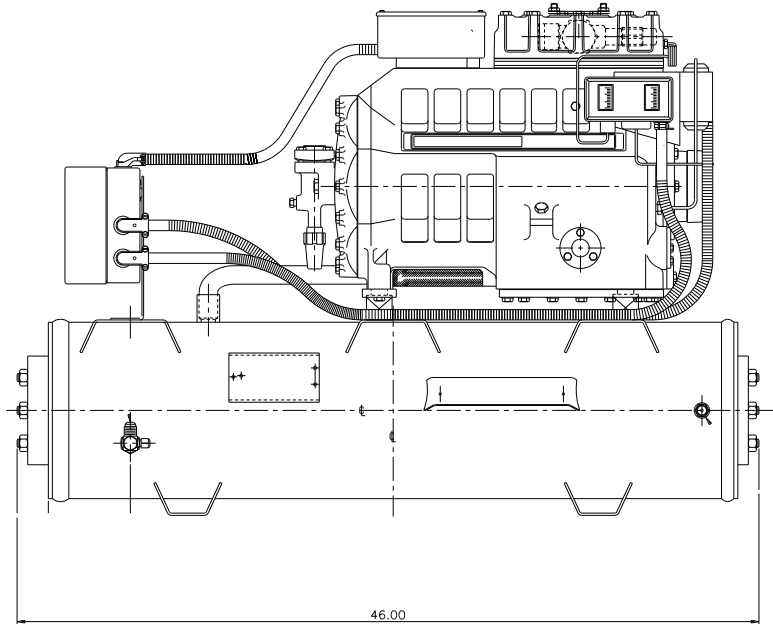
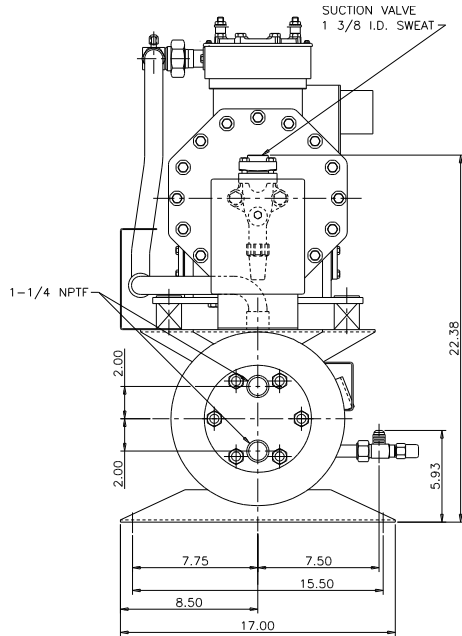
Note: The Delfield Blast Chiller/Shock Freezer is wired independently of the remote condensing unit. No interconnecting wiring is required between the blast chiller and the condensing unit. All condensing units have units have crankcase heaters. Condensing unit control systems are provided wired from the factory. Field Connection is made by connecting supply power to the compressor contactor.

Outdoor condensing unit applications require the use of an optional UL listed hood, delfield P/N CUHOOD, for protection from the elements. Water cooled units are not recommended for outdoor installation.

Interconnecting piping, curbs or other mounting methods and refrigerant are not included. Installation must be made by a qualified refrigeration technician. Piping runs of greater than 100 feet require consultaion with the factory.

| T40 | |
|------------------------|---|
| Delfield Model#: T40CU | |
| Refrigerant | 404A |
| Compressor and wiring | Compressor and Capacity 6 HP Compressor 24,150 BTUH @ -32°F, 90 amb, 102.2 Cond: 46,740BTUH @ -5°, 90 amb 110.3 Cond. |
| | Condensing Unit Wiring 208/230V/60Hz/3Ph Max Fuse Size: 60A Max Circuit Ampacity: 42.3A |
| Control System | High Pressure Switch Set Point: 450 psig, 380 psig re-set |
| | Low pressure switch Set Point: 25psig, Range = 15in to 100psig |
| | Oil Pressure Differential Switch Sensotronic Oil Pressure Switch |
| Compressor Reliability | Crankcase Heater 65 watts |
| Flow Control | Condenser Capacity Control Head Pressure Control Set at 84°F, 185psig |
| | Reciever Capacity 55.4lbs. @ 90% liquid refrigerant fill (37.5lbs. max refrigerant charge) |
| | Accumulator 500 Cubic Inch Capacity |
| | Oil Separator Yes |
| | Oil Filter Yes |
| Optional Outdoor Hood | Delfield Model Number: CUHOOD |
| Shipping Weight | Condensing Unit 600 Lbs. |
| | Outdoor Hood 100 Lbs. |

Liquid Line = 5/8"
Suction Line = 1 3/8"



Ambient Operating Limits: 50°F to 110°F

Note: The Delfield Blast Chiller/Shock Freezer is wired independently of the remote condensing unit. No interconnecting wiring is required between the blast chiller and the condensing unit. All condensing units have units have crankcase heaters. Condensing unit control systems are provided wired from the factory. Field Connection is made by connecting supply power to the compressor contactor.

Outdoor condensing unit applications require the use of an optional UL listed hood, delfield P/N CUHOOD, for protection from the elements. Water cooled units are not recommended for outdoor installation.

Interconnecting piping, curbs or other mounting methods and refrigerant are not included. Installation must be made by a qualified refrigeration technician. Piping runs of greater than 100 feet require consultaion with the factory.

| Water cooled condensing unit water usage @ 85°F incoming water, 105°F (250psig) R404a condensing: | |
|---|-----------------------------|
| 6HP Condensing Unit | |
| Evaporating Temperature | Condenser Water Usage (GPM) |
| -40°F | 3.15 |
| -30°F | 4.1 |
| -20°F | 5.2 |
| -10°F | 6.4 |
| 0°F | 7.8 |

| | | |
|------------------------|----------------------------------|---|
| | T40 | |
| | Delfield Model#: T40CUW | |
| Refrigerant | | 404A |
| Compressor and wiring | Compressor and Capacity | 6 HP Compressor 24,950 BTUH 4.1gpm waterflow @ -32°F, 90 amb, 102.2 Cond: 18,090 BTUH @-40°F, 85°F inlet water, 105°F Condensing |
| | Condensing Unit Wiring | 208/230V/60Hz/3Ph Max Fuse Size: 60A Max Circuit Ampacity:42.3A |
| Control System | High Pressure Switch | Set Point: 450 psig, 380 psig re-set |
| | Low pressure switch | Set Point: 25psig, Range = 15in to 100psig |
| | Oil Pressure Differential Switch | Sensotronic Oil Pressure Switch |
| Compressor Reliability | Crankcase Heater | 65 watts |
| Flow Control | Condenser Capacity Control | Head Pressure Control Set at 84°F, 185psig |
| | Reciever Capcity | 55.4lbs. @ 90% liquid refrigerant fill (37.5lbs. max refrigerant charge) |
| | Accumulator | 500 Cubic Inch Capacity |
| | Oil Separator | Yes |
| | Oil Filter | Yes |
| Optional Outdoor Hood | Delfield Model Number: CUHOOD | |
| Shipping Weight | Condensing Unit | 600 Lbs. |
| | Outdoor Hood | 100 Lbs. |

Delfield reserves the right to make changes to the design or specifications without prior notice.