



PROJECT	
ITEM #	
QUANTITY	DATE
APPROVAL	

UC/UCE

Mobile tubular frame utility carts

Short form specifications

Vertical frame shall be integrally welded 16-gauge 1.00" (2.5cm) outside diameter stainless steel tubing, attached to a bottom frame of similar stainless steel tubing. Unit shall have (4) 4.00" (10.2cm) diameter polyolefin swivel casters (two locking), and a non-marking extruded vinyl sleeve bumper at each corner.

THE FOLLOWING APPLIES TO MODELS UC-2, UC-3 & UCE-1727 ONLY:

Shelves shall be one-piece molded fiberglass. Color of shelf should be specified on original order. Models UC-2 and UCE-1727 shall have (2) shelves; model UC-3 shall have (3) shelves.

THE FOLLOWING APPLIES TO MODLES UC-2SS, UC-3SS & UCE-1727SS ONLY:

Shelves shall be 14-gauge stainless steel. Models UC-2ss and UCE-1727SS shall have (2) shelves; model UC-3SS shall have (3) shelves.

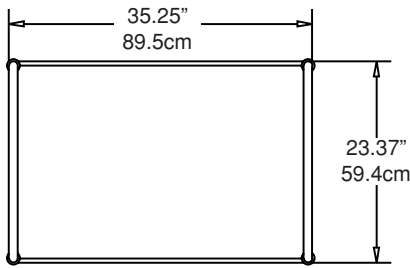
Optional Accessories & Modifications

- Heavy-duty casters (consult factory)
- Two additional 4.00" (10.2cm) diameter casters



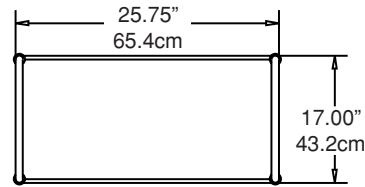
Model UC-3





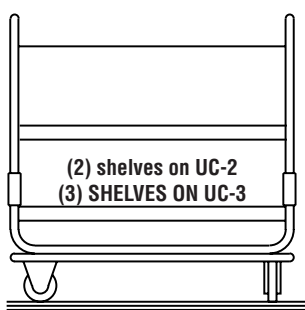
PLAN VIEW
MODELS UC-2, UC-3
UC-2SS & UC-3SS

NOTE: SLEEVE BUMPER ADD 0.50" (1.3cm) TO THE OVERALL LENGTH AND DEPTH.

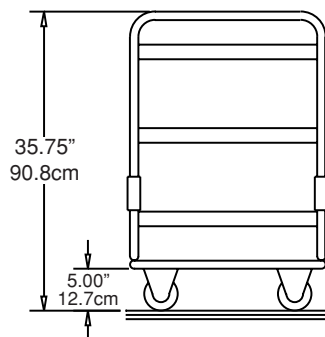


PLAN VIEW
MODELS UCE-1727 & UCE-1727SS

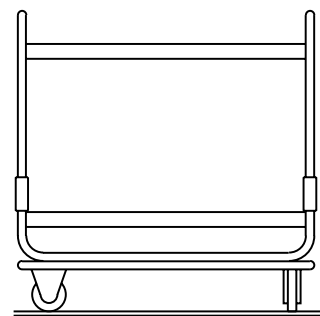
NOTE: SLEEVE BUMPER ADD 0.50" (1.3cm) TO THE OVERALL LENGTH AND DEPTH.



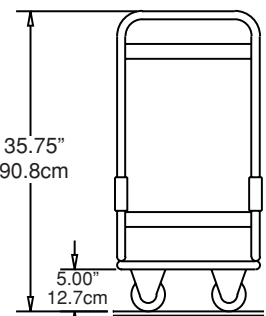
ELEVATION VIEW
MODELS UC-2, UC-3
UC-2SS & UC-3SS



RIGHT END VIEW
MODELS UC-2, UC-3
UC-2SS & UC-3SS



ELEVATION VIEW
MODELS UCE-1727 & UCE-1727SS



RIGHT END VIEW
MODELS UCE-1727 & UCE-1727SS

MODEL NUMBER	SHELF DIMENSIONS (LxD)	SHELF CAPACITY (each)	SHIP WEIGHT
UC-2	34.25" x 22.37" 87.0cm x 56.8cm	200lbs 91kg	115lbs 52kg
UC-2SS	34.25" x 22.37" 87.0cm x 56.8cm	200lbs 91kg	125lbs 57kg
UC-3	34.25" x 22.37" 87.0cm x 56.8cm	200lbs 91kg	125lbs 57kg
UC-3SS	34.25" x 22.37" 87.0cm x 56.8cm	200lbs 91kg	135lbs 61kg
UCE-1727	24.75" x 16.00" 69.2cm x 40.6cm	200lbs 91kg	100lbs 45kg
UCE-1727SS	24.75" x 16.00" 69.2cm x 40.6cm	200lbs 91kg	110lbs 50kg