



Project \_\_\_\_\_  
 Item # \_\_\_\_\_  
 Quantity \_\_\_\_\_

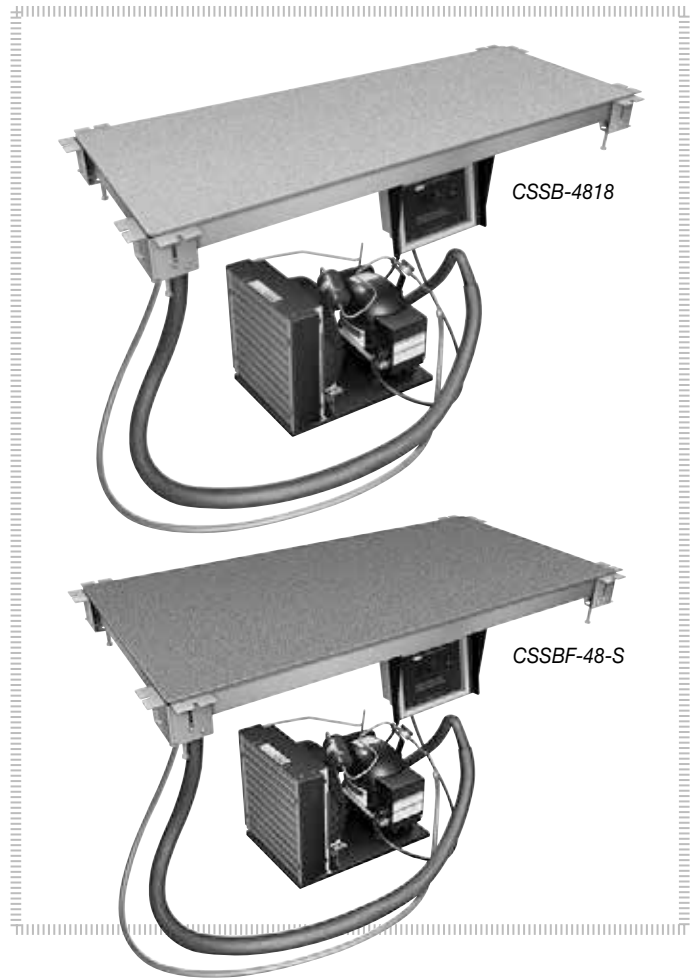
## Cold Simulated Stone\* Shelves Built-In

Models: CSSB-2418, -3018, -3618, -4818  
 CSSBF-24-F, -24-I, -24-S, -36-F, -36-I, -36-S,  
 -48-F, -48-I, -48-S

Hatco's new Cold Simulated Stone\* Shelves are a must for buffet lines in cafeterias, restaurants and much more! These sturdy, foodsafe shelves are available in three attractive decorative stone colors.

### Standard features

- Thermal break reduces condensation and temperature transfer (patent pending)
- Long, flexible refrigerant line (ability to pullout condensing unit) for service
- The CSSB Cold Simulated Stone\* Shelves Built-In match the GRSSB Heated Simulated Stone\* Built-In Shelves for a fully integrated look
- Both CSSB and CSSBF models are bottom mount units
- Models shipped with Electronic Temperature Control and Condensing Unit
- Control box can be mounted on the front of the cabinet, 4' (1219 mm) from center of shelf
- Condensing unit may be mounted up to 4' (1219 mm) away from the center of shelf
- Shelf construction utilizes R-404A refrigerant
- Easy serviceability with a sight glass, service valves, dryer/filter, and a receiver



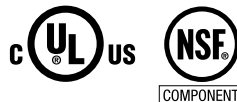
### Options (available at time of purchase only)

- Simulated stone\* base color – Non-standard colors are non-returnable
- Gray Granite  Bermuda Sand  Night Sky (standard)
  - Additional four year parts only warranty on the compressor available at time of purchase (U.S. and Canada only)

### Accessories

- Silicone gasket for simulated stone\* installation
- Silicone gasket and black silicone for simulated stone\* installation
- Silicone gasket and gray silicone for simulated stone\* installation

\* Models with simulated stone are Swanstone®



HATCO CORPORATION | P.O. Box 340500 Milwaukee, WI 53234-0500 U.S.A.

(800) 558-0607 | (414) 671-6350 | www.hatcocorp.com | support@hatcocorp.com | intlsales@hatcocorp.com

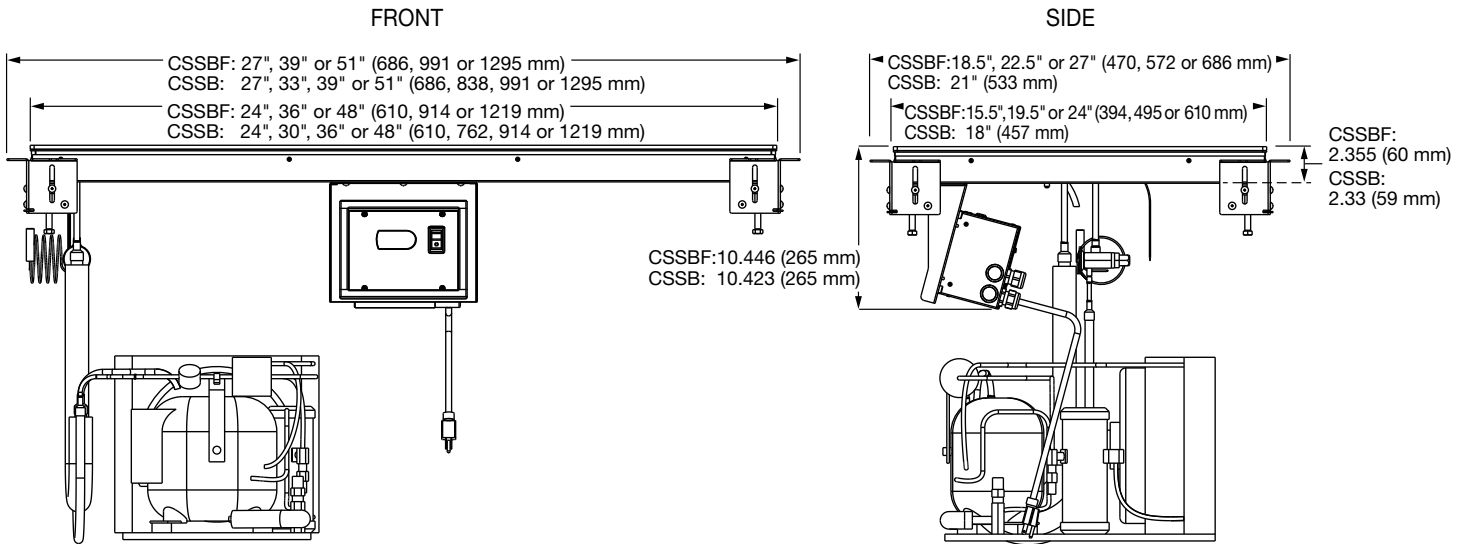


# Cold Simulated Stone\* Shelves Built-In

Models: CSSB-2418, -3018, -3618, -4818

CSSBF-24-F, -24-I, -24-S, -36-F, -36-I, -36-S, -48-F, -48-I, -48-S

## CSSB, CSSBF



## SPECIFICATIONS

Cold Simulated Stone\* Shelf - Built-In - All Single Phase

The shaded areas contain electrical information for International models

Model	Dimensions (W x D of cooled surface)	Comp. Size (HP)	Volts*	Watts	Amps	Hz	Plug	Approx. Ship Weight
CSSB-2418	24" x 18" (610 x 457 mm)	1/4	120	804	6.7	60	NEMA 5-15P	120 lb. (54 kg)
		1/3	220	616	2.8	50	CEE 7-7 Schuko, BS-1363, AS3112	
			230	667	2.9			
			240	744	3.1			
		1/3	220	686	3.1	60	CEE 7-7 Schuko, BS-1363	
			230	749	3.3			
240	816		3.4					
CSSB-3018	30" x 18" (762 x 457 mm)	1/4	120	804	6.7	60	NEMA 5-15P	132 lb. (60 kg)
		1/3	220	616	2.8	50	CEE 7-7 Schuko, BS-1363, AS3112	
			230	667	2.9			
			240	744	3.1			
		1/3	220	686	3.1	60	CEE 7-7 Schuko, BS-1363	
			230	749	3.3			
240	816		3.4					
CSSB-3618	36" x 18" (914 x 457 mm)	1/4	120	804	6.7	60	NEMA 5-15P	149 lb. (68 kg)
		1/3	220	616	2.8	50	CEE 7-7 Schuko, BS-1363, AS3112	
			230	667	2.9			
			240	744	3.1			
		1/3	220	686	3.1	60	CEE 7-7 Schuko, BS-1363	
			230	749	3.3			
240	816		3.4					
CSSB-4818	48" x 18" (1219 x 457 mm)	1/3	120	1044	8.7	60	NEMA 5-15P	145 lb. (66 kg)
		3/8	220	807	3.7	50	CEE 7-7 Schuko, BS-1363, AS3112	
			230	882	3.8			
			240	960	4.0			
		1/3	220	686	3.1	60	CEE 7-7 Schuko, BS-1363	
			230	749	3.3			
240	816		3.4					

\*Models with simulated stone are Swanstone®

\*All voltages non-CE

HATCO CORPORATION | P.O. Box 340500 Milwaukee, WI 53234-0500 U.S.A.

(800) 558-0607 | (414) 671-6350 | www.hatcocorp.com | support@hatcocorp.com | intl@hatcocorp.com



# Cold Simulated Stone\* Shelves Built-In

Models: CSSB-2418, -3018, -3618, -4818

CSSBF-24-F, -24-I, -24-S, -36-F, -36-I, -36-S, -48-F, -48-I, -48-S

## SPECIFICATIONS

### Cold Simulated Stone\* Built-In Shelf - Flush Top

The shaded areas contain electrical information for international models

Model	Dimensions (W x D of cooled surface)	Comp. Size (HP)	Volts*	Watts	Amps	Hz	Plug	Approx. Ship Weight	
CSSBF-24-F	24" x 15.5" (610 x 394 mm)	1/4	120	804	6.7	60	NEMA 5-15P	114 lb. (52 kg)	
		1/3	220	616	2.8	50	CEE 7-7 Schuko, BS-1363, AS3112		
			230	667	2.9				
			240	744	3.1				
		60	220	686	3.1	60	CEE 7-7 Schuko BS-1363		
			230	749	3.3				
240	816		3.4						
CSSBF-24-I	24" x 19.5" (610 x 495 mm)	1/4	120	804	6.7	60	NEMA 5-15P	124 lb. (56 kg)	
		1/3	220	616	2.8	50	CEE 7-7 Schuko, BS-1363, AS3112		
			230	667	2.9				
			240	744	3.1				
		60	220	686	3.1	60	CEE 7-7 Schuko BS-1363		
			230	749	3.3				
240	816		3.4						
CSSBF-24-S	24" x 24" (610 x 610 mm)	1/4	120	804	6.7	60	NEMA 5-15P	134 lb. (61 kg)	
		1/3	220	616	2.8	50	CEE 7-7 Schuko, BS-1363, AS3112		
			230	667	2.9				
			240	744	3.1				
		60	220	686	3.1	60	CEE 7-7 Schuko BS-1363		
			230	749	3.3				
240	816		3.4						
CSSBF-36-F	36" x 15.5" (914 x 394 mm)	1/4	120	804	6.7	60	NEMA 5-15P	143 lb. (65 kg)	
		1/3	220	616	2.8	50	CEE 7-7 Schuko, BS-1363, AS3112		
			230	667	2.9				
			240	744	3.1				
		60	220	686	3.1	60	CEE 7-7 Schuko BS-1363		
			230	749	3.3				
240	816		3.4						
CSSBF-36-I	36" x 19.5" (914 x 495 mm)	1/3	120	1044	8.7	60	NEMA 5-15P	155 lb. (70 kg)	
		3/8	220	807	3.7	50	CEE 7-7 Schuko, BS-1363, AS3112		
			230	882	3.8				
			240	960	4.0				
		60	1/3	220	686	3.1	60		CEE 7-7 Schuko, BS-1363
			230	749	3.3				
240	816		3.4						
CSSBF-36-S	36" x 24" (914 x 610 mm)	1/3	120	1044	8.7	60	NEMA 5-15P	167 lb. (78 kg)	
		3/8	220	807	3.7	50	CEE 7-7 Schuko, BS-1363, AS3112		
			230	882	3.8				
			240	960	4.0				
		60	1/3	220	686	3.1	60		CEE 7-7 Schuko, BS-1363
			230	749	3.3				
240	816		3.4						
CSSBF-48-F	48" x 15.5" (1219 x 394 mm)	1/3	120	1044	8.7	60	NEMA 5-15P	144 lb. (65 kg)	
		3/8	220	807	3.7	50	CEE 7-7 Schuko, BS-1363, AS3112		
			230	882	3.8				
			240	960	4.0				
		60	1/3	220	686	3.1	60		CEE 7-7 Schuko, BS-1363
			230	749	3.3				
240	816		3.4						
CSSBF-48-I	48" x 19.5" (1219 x 495 mm)	1/3	120	1044	8.7	60	NEMA 5-15P	173 lb. (78 kg)	
		3/8	220	807	3.7	50	CEE 7-7 Schuko, BS-1363, AS3112		
			230	882	3.8				
			240	960	4.0				
		60	1/3	220	686	3.1	60		CEE 7-7 Schuko, BS-1363
			230	749	3.3				
240	816		3.4						
CSSBF-48-S	48" x 24" (1219 x 610 mm)	1/2	120	1380	11.5	60	NEMA 5-15P	195 lb. (89 kg)	
		1/2	220	1190	5.4	50	CEE 7-7 Schuko, BS-1363, AS3112		
			230	1300	5.7				
			240	1416	5.9				
		60	1/2	220	1210	5.5	60		CEE 7-7 Schuko, BS-1363
			230	1322	5.8				
240	1440		6.0						

\*Models with simulated stone are Swanstone®

\*All voltages non-CE

HATCO CORPORATION | P.O. Box 340500 Milwaukee, WI 53234-0500 U.S.A.

(800) 558-0607 | (414) 671-6350 | www.hatcocorp.com | support@hatcocorp.com | intl@hatcocorp.com

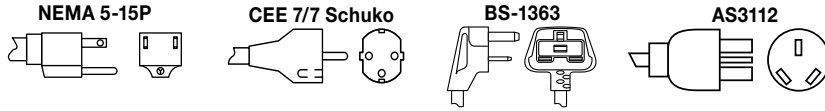


# Cold Simulated Stone\* Shelves Built-In

Models: CSSB-2418, -3018, -3618, -4818

CSSBF-24-F, -24-I, -24-S, -36-F, -36-I, -36-S, -48-F, -48-I, -48-S

## PLUG CONFIGURATION



## COUNTERTOP CUTOUT DIMENSIONS

See Installation and Operating Manual for more information

Model	Width with .375" (10 mm) radii	Depth with .375" (10 mm) radii
CSSBF-24-F	24.375" (619 mm)	15.875" (403 mm)
CSSBF-24-I	24.375" (619 mm)	19.875" (505 mm)
CSSBF-24-S	24.375" (619 mm)	24.375" (619 mm)
CSSBF-36-F	36.375" (924 mm)	15.875" (403 mm)
CSSBF-36-I	36.375" (924 mm)	19.875" (505 mm)
CSSBF-36-S	36.375" (924 mm)	24.375" (619 mm)

Model	Width with .375" (10 mm) radii	Depth with .375" (10 mm) radii
CSSBF-48-F	48.375" (1229 mm)	15.875" (403 mm)
CSSBF-48-I	48.375" (1229 mm)	19.875" (505 mm)
CSSBF-48-S	48.375" (1229 mm)	24.375" (619 mm)

Model	Width with .375" (10 mm) radii	Depth with .375" (10 mm) radii
CSSB-2418	24.375" (619 mm)	18.375" (467 mm)
CSSB-3018	30.375" (772 mm)	18.375" (467 mm)
CSSB-3618	36.375" (924 mm)	18.375" (467 mm)
CSSB-4818	48.375" (1229 mm)	18.375" (467 mm)

Model	Width <i>(should not exceed)</i>	Height <i>(should not exceed)</i>
Control Box	7.44" (189 mm)	5.625" (143 mm)

## PRODUCT SPECS Cold Simulated Stone\* Built-In Shelves

The Cold Simulated Stone\* Built-In Shelf, patent pending, shall be model ... as manufactured by the Hatco Corporation, Milwaukee, WI 53234 U.S.A.

The Cold Simulated Stone Built-In Shelf shall be rated at ... watts, ... volts, and ... inches (millimeters) in overall width.

It shall consist of food-safe material, Condenser attached to Evaporator with 5 foot (1524 mm) flexible tubing, adjustable bracket with cord and plug attached.

Warranty consists of 24/7 parts and service assistance (U.S. and Canada only).

\*Models with simulated stone are Swanstone®

**HATCO CORPORATION** | P.O. Box 340500 Milwaukee, WI 53234-0500 U.S.A.

(800) 558-0607 | (414) 671-6350 | [www.hatcocorp.com](http://www.hatcocorp.com) | [support@hatcocorp.com](mailto:support@hatcocorp.com) | [intlsales@hatcocorp.com](mailto:intlsales@hatcocorp.com)