



Project _____

Item # _____

Quantity _____

Flav-R-Fresh® Impulse Display Cabinets

Models: FDWD-1, -1X, -2, -2X

The Hatco Flav-R-Fresh® uses controlled moisture and heat to showcase your product longer, not just for minutes but for hours. It holds everything from hot pretzels to 15" (381 mm) pizzas, croissants to bagels, and even hot dogs and meat pies.

Electrical components, controls and water reservoir are located at the top for easy access. Electronic controls monitor cabinet temperature. Models with two doors are available for pass-through convenience and a variety of merchandising racks help enhance food appeal.

The Hatco Flav-R-Fresh is ideal for restaurants, pizzerias, convenience stores, concession stands, snack bars and kiosks.

Standard features

- Separate heat and humidity controls keep crisp foods crisp and moist foods moist
- The rounded designed cabinet features tempered glass sides and door for full-view display
- Fluorescent light enhances food appeal while safe-guarding food products from bulb breakage
- Single- or double-side opening models
- Doors are reversable (excludes self-closing door)

WATER QUALITY REQUIREMENTS

Incoming water in excess of 3.0 grains of hardness per gallon (GPG) (.75 grains of hardness per liter) must be treated and softened before being supplied to booster heater(s). Water containing over 3.0 GPG (.75 GPL) will decrease the efficiency and reduce the operating life of the unit.

Note: Product failure caused by liming or sediment buildup is not covered under warranty.



Options (available at time of purchase only)

Designer Colors

Non-standard colors are non-returnable –

Clear Anodized Aluminum standard –

- Warm Red Black Gray Granite White Granite
- Navy Blue Hunter Green Antique Copper

- Self-Closing Door in lieu of standard door. Left hinge only, not field reversible
- 6" Merchandising Display Sign Holder (control side only) (sign not included)
- 3" One Sided Merchandising Display Sign Holder (one per side, three max) (sign not included)
- 6 3/8" One Sided Merchandising Display Sign Holder (one per side, three max) (sign not included)

Accessories

- 4" (102 mm) Adjustable Legs
- Motorless Rack Coupling (FDWD-1X -2X only)
- 4-tier Circle Rack (Requires coupling for -1X and -2X models)
- 4-shelf Multi-Purpose Rack
- 3-tier Pretzel Tree (Requires coupling for -1X and -2X models)

Decorative Kit:

Two Inset Side Panels

(Non-standard colors are non-returnable – Designer Black standard)

- Crescent Wave

Curved Header

(Non-standard colors are non-returnable – Designer Black standard)

- Hinged for control side Non-hinged for non-control side

Base Skirts (requires 4" [102 mm] adjustable legs, not included)

(Non-standard colors are non-returnable – Designer Black standard)

- Flat front, back and sides Curved front, flat back and sides
- Curved front and back, flat sides

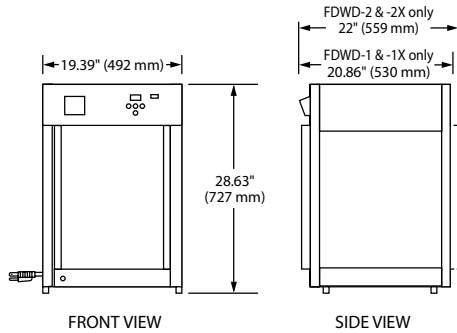


HATCO CORPORATION | P.O. Box 340500 Milwaukee, WI 53234-0500 U.S.A.
(800) 558-0607 | (414) 671-6350 | www.hatcocorp.com | support@hatcocorp.com



Flav-R-Fresh® Impulse Display Cabinets

Models: FDWD-1, -1X, -2, -2X



SPECIFICATIONS Impulse Display Cabinets

The shaded areas contain electrical information for International models

Model ^o	Type	Dimensions (W x D x H*)	Volts	Watts	Amps	Plug	Ship Weight*
FDWD-1	1 Door with 4-tier Circle Rack with motor	19.39" x 20.86" x 28.63" (492 x 530 x 727 mm)	100	1440	14.4	NEMA 5-15P	90 lbs. (41 kg)
			120	1390	11.6	NEMA 5-15P	
			220	1440	6.5	CEE 7/7 Schuko or BS-1363	
			240	1440	6.0	CEE 7/7 Schuko or AS 3112	
			220-230 (CE)	1440-1574	6.5-6.8	CEE 7/7 Schuko	
			230-240 (CE)	1323-1440	5.8-6.0	BS-1363	
FDWD-1X	1 Door with 4-shelf Multi-Purpose Rack without motor (not available for retrofit)	19.39" x 20.86" x 28.63" (492 x 530 x 727 mm)	100	1440	14.4	NEMA 5-15P	90 lbs. (41 kg)
			120	1390	11.6	NEMA 5-15P	
			220	1440	6.5	CEE 7/7 Schuko or BS-1363	
			240	1440	6.0	CEE 7/7 Schuko or AS 3112	
			220-230 (CE)	1440-1574	6.5-6.8	CEE 7/7 Schuko	
			230-240 (CE)	1323-1440	5.8-6.0	BS-1363	
FDWD-2	2 Doors with 4-tier Circle Rack with motor	19.39" x 22" x 28.63" (492 x 559 x 727 mm)	100	1440	14.4	NEMA 5-15P	90 lbs. (41 kg)
			120	1390	11.6	NEMA 5-15P	
			220	1440	6.5	CEE 7/7 Schuko or BS-1363	
			240	1440	6.0	CEE 7/7 Schuko or AS 3112	
			220-230 (CE)	1440-1574	6.5-6.8	CEE 7/7 Schuko	
			230-240 (CE)	1323-1440	5.8-6.0	BS-1363	
FDWD-2X	2 Doors with 4-shelf Multi-Purpose Rack without motor (not available for retrofit)	19.39" x 22" x 28.63" (492 x 559 x 727 mm)	100	1440	14.4	NEMA 5-15P	90 lbs. (41 kg)
			120	1390	11.6	NEMA 5-15P	
			220	1440	6.5	CEE 7/7 Schuko or BS-1363	
			240	1440	6.0	CEE 7/7 Schuko or AS 3112	
			220-230 (CE)	1440-1574	6.5-6.8	CEE 7/7 Schuko	
			230-240 (CE)	1323-1440	5.8-6.0	BS-1363	

^o Non-humidified cabinets available, unit will only operate in dry mode.

• Height includes standard 1" (25 mm) legs.

* Shipping weight includes packaging.

CABINET OPENING

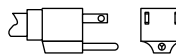
15.75"W x 19.75" H (400 x 502 mm).

CORD LOCATION

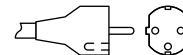
Facing controls, left-hand side panel, lower right corner.

PLUG CONFIGURATIONS

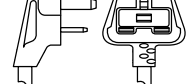
NEMA 5-15P



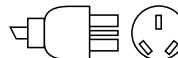
CEE 7/7 Schuko



BS-1363



AS 3112



PRODUCT SPECS Impulse Display Cabinets

The humidity controlled Impulse Display Cabinet shall be a Flav-R-Fresh® Model ... rated at ... volts and ... watts, as manufactured by the Hatco Corporation, Milwaukee, WI 53234 U.S.A.

The cabinet shall have ... door(s), tempered glass sides, stationary rack (or revolving display), and fluorescent display light. It shall include a water reservoir, electronic

controls, On/Off switch, and indicating lights. A 6' (1829 mm) cord with plug shall be attached.

Accessories shall include merchandising racks, display sign holders (signs not included) and side, top and base skirt.

Warranty consists of 24/7 parts and service assistance (US and Canada only).

HATCO CORPORATION | P.O. Box 340500 Milwaukee, WI 53234-0500 U.S.A.
(800) 558-0607 | (414) 671-6350 | www.hatcocorp.com | support@hatcocorp.com