



## GLO-RAY® DESIGNER INFRARED FOODWARMERS

Models GR2A-18, -24, -30, -36, -42, -48, -54, -60, -66, -72, -84 GR2AH-18, -24, -30, -36, -42, -48, -54, -60, -66, -72, -84

Hatco Glo-Ray® Designer Infrared Foodwarmers safely keep all hot foods at optimum serving temperatures longer. Foods do not dry out or become discolored; even delicate dishes hold that "just-prepared" look. The Glo-Ray pre-focused heat pattern directs heat from a tubular element to bathe the entire holding surface.

### FLEXIBILITY

The continuous aluminum housings, up to 88" (2235 mm) in width, are very strong and eliminate the danger of sagging.

Optional sneeze guards, made of shatterproof, easy-to-clean acrylic, are available, providing a safe environment for the food. Check NSF standards and local codes for requirements.

Many combinations of remote control enclosures are available in several sizes, built in accordance with UL Standards to accommodate power switches, infinite controls, indicator lights, and wiring. **Remote control installation is required on all Designer foodwarmers.**

Designer color foodwarmer and inset panels allow the unit to match the surrounding décor. The powdercoated surfaces provide durability and are easy to clean.

### QUALITY

The following features assure the finest performance for years to come:

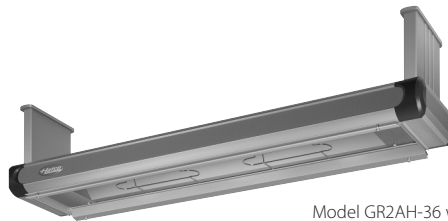
- Available in widths from 22" to 88" (559-2235 mm).
- Sturdy continuous aluminum housings eliminate sagging.
- Pre-focused heat maintains safe serving temperatures longer without continuing to cook the food.
- Variety of models, configurations, colors and accessories provide unlimited flexibility.



Model GR2AH-24



Model GR2AH-24 with optional sneeze guards



Model GR2AH-36 with Designer legs for hanging installations

### Remote Control Enclosure



Model RMB-3F with infinite controls



**HATCO CORPORATION P.O. Box 340500 Milwaukee, WI 53234-0500 U.S.A.**  
**(800) 558-0607 • (414) 671-6350 • Fax (800) 543-7521 • Int'l. Fax (414) 671-3976**  
**www.hatcocorp.com • E-mail: equipsales@hatcocorp.com**

Form No. GR2A Spec Sheet

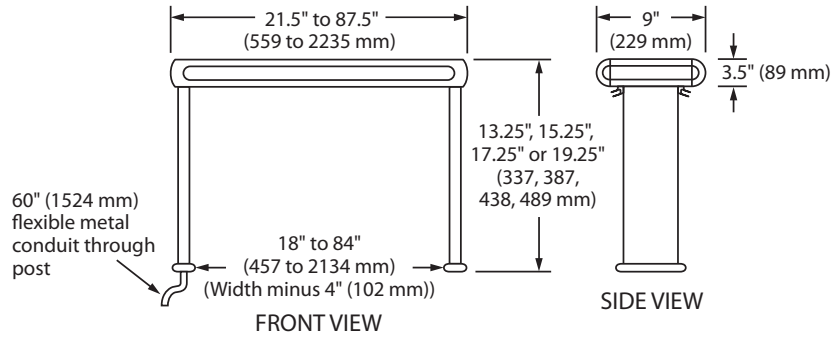
Printed in U.S.A.  
August 2015

METAL SHEATHED ELEMENTS GUARANTEED AGAINST BURNOUT AND BREAKAGE FOR TWO YEAR.



# GLO-RAY® DESIGNER INFRARED FOODWARMERS

Models GR2A-18, -24, -30, -36, -42, -48, -54, -60, -66, -72, -84 GR2AH-18, -24, -30, -36, -42, -48, -54, -60, -66, -72, -84



## SPECIFICATIONS

Model*	Volts/Amps			Watts	Width	Shipping Weight*
	120V	208V	240V			
GR2A-18 GR2AH-18	2.1 2.9	1.2 1.7	1.0 1.5	250 350	21.5" (546 mm)	36 lbs. (16 kg)
GR2A-24 GR2AH-24	2.9 4.2	1.7 2.4	1.5 2.1	350 500	27.5" (699 mm)	38 lbs. (17 kg)
GR2A-30 GR2AH-30	3.8 5.5	2.2 3.2	1.9 2.8	450 660	33.5" (851 mm)	42 lbs. (19 kg)
GR2A-36 GR2AH-36	4.8 6.7	2.8 3.9	2.4 3.3	575 800	39.5" (1003 mm)	46 lbs. (21 kg)
GR2A-42 GR2AH-42	5.6 7.9	3.3 4.6	2.8 4.0	675 950	45.5" (1156 mm)	54 lbs. (25 kg)
GR2A-48 GR2AH-48	6.7 9.2	3.9 5.3	3.3 4.6	800 1100	51.5" (1308 mm)	64 lbs. (29 kg)
GR2A-54 GR2AH-54	7.7 10.4	4.5 6.0	3.9 5.2	925 1250	57.5" (1460 mm)	74 lbs. (34 kg)
GR2A-60 GR2AH-60	8.8 11.7	5.1 6.7	4.4 5.8	1050 1400	63.5" (1613 mm)	82 lbs. (37 kg)
GR2A-66 GR2AH-66▼	9.7 13.0	5.6 7.5	4.8 6.5	1160 1560	69.5" (1765 mm)	91 lbs. (41 kg)
GR2A-72 GR2AH-72▼	10.6 14.4	6.1 8.3	5.3 7.2	1275 1725	75.5" (1918 mm)	100 lbs. (45 kg)
GR2A-84▼ GR2AH-84▲ GR2AH-84	12.5 15.8 -	7.2 - 9.9	6.3 - 8.5	1500 1900 2050	87.5" (2223 mm)	120 lbs. (54 kg)

- \* When no color is specified, color inset panels and corner caps will be black.
- Does not include RMB.
- ▼ When using an infinite control with 120 volt model, tandem elements are required, cord not available.
- ▲ 120 volt models require additional switches and tandem (end-to-end) elements individually controlled.

## OPTIONS (NOT FOR RETROFIT)

- Unit and Inset Panel *Designer* Colors: Warm Red, Black, Gray Granite, White Granite, Navy Blue, Hunter Green, Antique Copper, non-standard colors are non-returnable
- Dark Gray *Designer* Corner Caps (Black is standard)

- Sneeze Guards – 7.5" or 14" (191 or 356 mm)
- Designer* Non-Adjustable Stands 10", 12", 16" (254, 305, 406 mm) Height in lieu of Standard 14" (356 mm) Stands
- 4" (102 mm) *Designer* Overhead Mounts

## PRODUCT SPECS

### Designer Infrared Foodwarmer

The *Designer* Infrared Foodwarmer shall be a Glo-Ray®, manufactured by the Hatco Corporation, Milwaukee, WI 53234 U.S.A.

The Foodwarmer shall be a Glo-Ray Model ... , rated at ... watts, ... volts, single phase and be ... inches (millimeters) in overall width.

The Glo-Ray shall consist of an aluminum housing and include as standard equipment 14" (356 mm) *Designer* legs.

The infrared heating element shall be tubular metal sheathed.

The foodwarmer shall be factory assembled ready for electrical installation.

Options shall include *Designer* non-adjustable tubular legs in various sizes, hanger legs, dark gray *Designer* corner caps, sneeze guards, and remote control enclosure.

24/7 service in U.S. and Canada only.

## DIMENSIONS

GR2A & GR2AH: 22"-88"W x 9"D x 3.5"H without legs (559-2235 x 229 x 89 mm).

## VOLTAGE

120, 208 and 240 volts, single phase.  
Export voltages available.

## REMOTE CONTROL ENCLOSURES

Model	Width	Toggle Switches
RMB-3	5.5" (140 mm)	2 Maximum
RMB-7	9" (229 mm)	4 Maximum
RMB-14	14" (356 mm)	6 Maximum

**NOTE: ONE CONTROL BOX PER FOODWARMER.**

## MOUNTING REQUIREMENTS

Recommended Mounting Height –  
Standard Watt: 10"-12" (254-305 mm)  
High Watt: 12"-14" (305-356 mm)

## MINIMUM SPACING –

May not be installed in combustible surroundings.  
Must be installed no closer than 3" (76 mm) from a non-combustible back wall and above a non-combustible surface.