



GLO-RAY® MINI-MERCHANDISING WARMERS

Models GRHW-.5P, -1P, -2P, -1SG, -1SGS, 1SGD, -1SGDS

Safe and convenient, Hatco Mini-Merchandisers create impulse sales by placing fresh product in front of the customers. Hatco foodwarmers hold hot product at peak serving temperatures and are ideal for convenience stores, supermarkets, delis, concession stands, snack bars, kiosks, and pizzerias.

FLEXIBILITY

These warmers come in a variety of shapes, sizes, and colors using a limited amount of valuable counter space.

GRHW-.5P Perfect for offering customers hot samples. This warmer provides base heat and incandescent lighting to showcase product. Backlit sign holder and breath protector are standard.

GRHW-1P, -2P The Hors d'oeuvre Warmer is available in a one- or two-pan model with a breath protector on one side of the unit.

GRHW-1SG, -1SGS Ideal for generating impulse sales, these countertop hot food warmers are ideal for wrapped product at any time of the day. Top and bottom heat, large sign holder, specially coated incandescent light bulbs, and breath protector are standard. GRHW-1SGS has a slanted base and side enclosures.

GRHW-1SGD, -1SGDS

Mini-Merchandise doubles the holding capacity due to Hatco's patented heated glass technology. The shelf radiates heat down and conducts heat up, maintaining uniform heat distribution to safely hold food at optimum serving temperatures.

QUALITY

The following features assure the finest performance for years to come:

- All models feature a thermostatically-controlled heated base to extend the holding times of most food, and a cord and plug set.
- Glo-Ray Mini-Merchandisers (except Model GRHW-.5P) have prefocused infrared top heat directing heat to the outer edges of the holding surface where heat loss is the greatest.
- Coated shatter-resistant incandescent lights enhance product displays while safeguarding food products from bulb breakage.
- Sturdy acrylic breath protector provides a safe environment when serving food.
- Patented heated glass technology doubles the holding capacity in the GRHW-1SGD and -1SGDS.



Model GRHW-.5P with blank translucent sign and backlit panel (graphic not included)



Model GRHW-2P with breath protector and accessory food pans



Model GRHW-1SGS with breath protector, accessory sign holder (graphic not included), five hardcoated bins, and optional Designer color



Model GRHW-1SG with accessory sign holder (graphic not included)



Model GRHW-1SGD with Designer color, breath protector, and accessory sign holder (graphic not included)



Model GRHW-1SGDS with Designer color, breath protector, and slanted hardcoated base

Sign Brackets



Sign Size: 21"W x 9½"H x ¼"D (533 x 241 x 2 mm)



Sign Size: 11⅞"W x 2½"H x ¼"D (302 x 64 x 2 mm)



METAL SHEATHED HEATING ELEMENTS GUARANTEED AGAINST BURNOUT AND BREAKAGE FOR TWO YEARS, BLANKET ELEMENTS, AND HEATED GLASS FOR ONE YEAR.

HATCO CORPORATION P.O. Box 340500 Milwaukee, WI 53234-0500 U.S.A.
(800) 558-0607 • (414) 671-6350 • Fax (800) 543-7521 • Int'l. Fax (414) 671-3976
www.hatcocorp.com • E-mail: equipsales@hatcocorp.com

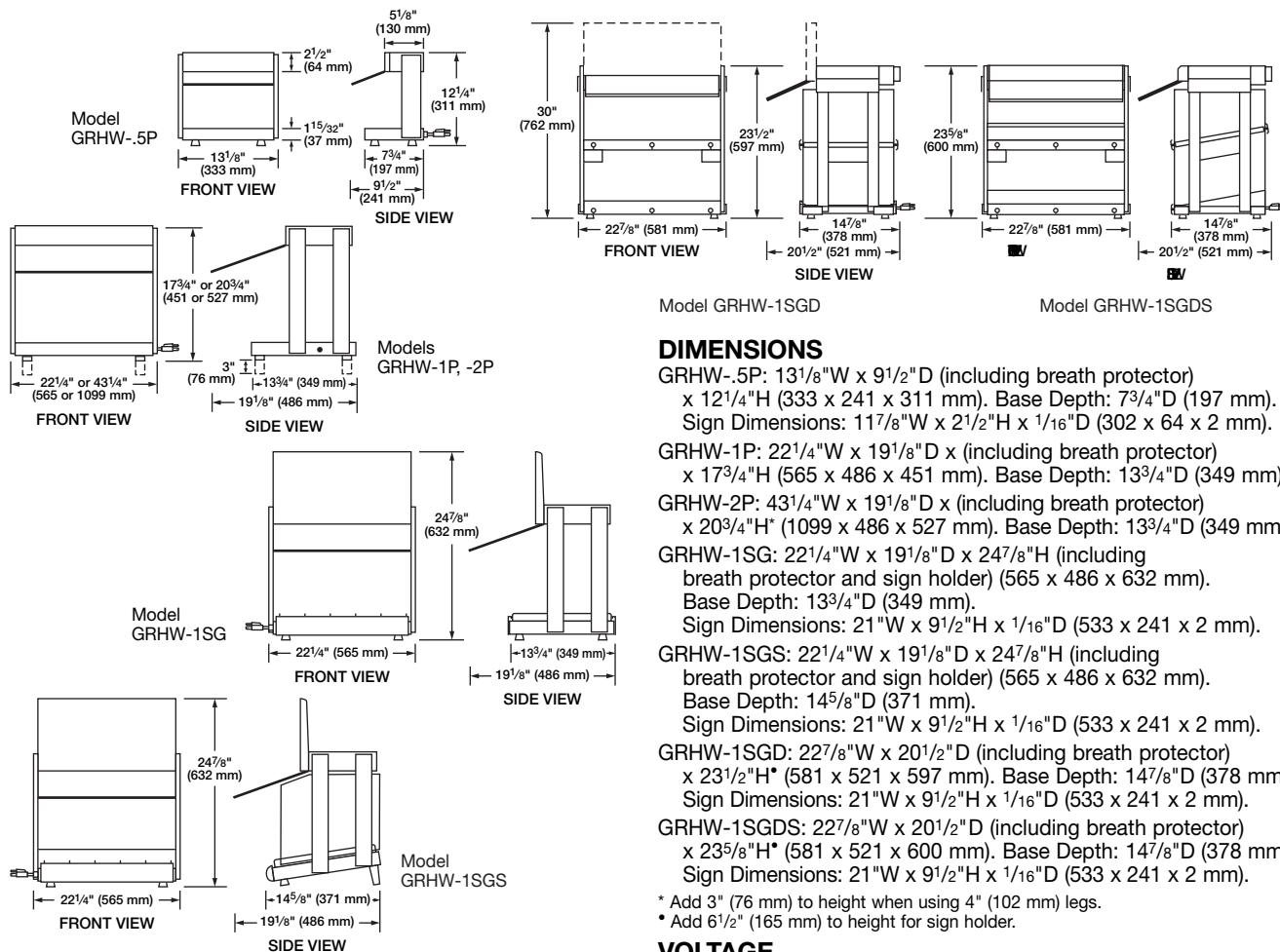
Form No. MM-1006(S)

Printed in U.S.A.



GLO-RAY® MINI-MERCHANDISING WARMERS

Models GRHW-.5P, -1P, -2P, -1SG, -1SGS, 1SGD, -1SGDS



Model GRHW-1SGD

Model GRHW-1SGDS

DIMENSIONS

- GRHW-.5P: 13¹/₈"W x 9¹/₂"D (including breath protector) x 12¹/₄"H (333 x 241 x 311 mm). Base Depth: 7³/₄"D (197 mm). Sign Dimensions: 11⁷/₈"W x 2¹/₂"H x 1¹/₁₆"D (302 x 64 x 2 mm).
- GRHW-1P: 22¹/₄"W x 19¹/₈"D x (including breath protector) x 17³/₄"H (565 x 486 x 451 mm). Base Depth: 13³/₄"D (349 mm).
- GRHW-2P: 43¹/₄"W x 19¹/₈"D x (including breath protector) x 20³/₄"H (1099 x 486 x 527 mm). Base Depth: 13³/₄"D (349 mm).
- GRHW-1SG: 22¹/₄"W x 19¹/₈"D x 24⁷/₈"H (including breath protector and sign holder) (565 x 486 x 632 mm). Base Depth: 13³/₄"D (349 mm). Sign Dimensions: 21"W x 9¹/₂"H x 1¹/₁₆"D (533 x 241 x 2 mm).
- GRHW-1SGS: 22¹/₄"W x 19¹/₈"D x 24⁷/₈"H (including breath protector and sign holder) (565 x 486 x 632 mm). Base Depth: 14⁵/₈"D (371 mm). Sign Dimensions: 21"W x 9¹/₂"H x 1¹/₁₆"D (533 x 241 x 2 mm).
- GRHW-1SGD: 22⁷/₈"W x 20¹/₂"D (including breath protector) x 23¹/₂"H* (581 x 521 x 597 mm). Base Depth: 14⁷/₈"D (378 mm). Sign Dimensions: 21"W x 9¹/₂"H x 1¹/₁₆"D (533 x 241 x 2 mm).
- GRHW-1SGDS: 22⁷/₈"W x 20¹/₂"D (including breath protector) x 23⁵/₈"H* (581 x 521 x 600 mm). Base Depth: 14⁷/₈"D (378 mm). Sign Dimensions: 21"W x 9¹/₂"H x 1¹/₁₆"D (533 x 241 x 2 mm).

* Add 3" (76 mm) to height when using 4" (102 mm) legs.

* Add 6¹/₂" (165 mm) to height for sign holder.

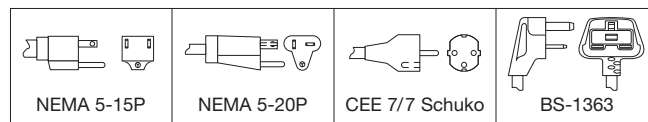
VOLTAGE

120 volts, single phase only (uses NEMA 5-15P, GRHW-2P, GRHW-1SGD & GRHW-1SGDS uses NEMA 5-20P for Canada). Export voltages available.

CORD LOCATION

GRHW-.5P: Back base.
 GRHW-1P, -2P, -1SG, -1SGS: Base end plate, same side as switch.
 GRHW-1SGD, -1SGDS: Control side, bottom right.

PLUG CONFIGURATIONS



SPECIFICATIONS

Model	Volts	Watts	Amps	Shipping Weight
GRHW-.5P	120	155	1.3	12 lbs. (5 kg)
GRHW-1P	120	820	6.8	33 lbs. (15 kg)
GRHW-2P†	120	1640	13.7	60 lbs. (27 kg)
GRHW-1SG	120	820	6.8	37 lbs. (17 kg)
GRHW-1SGS	120	820	6.8	37 lbs. (17 kg)
GRHW-1SGD	120	1650	13.8	71 lbs. (32 kg)
GRHW-1SGDS	120	1650	13.8	71 lbs. (32 kg)

† NSF requires units over 36" (914 mm) in width or weighing more than 80 lbs. (36 kg) to be either sealed, or raised on the installation surface with the 4" (102 mm) legs included.

OPTIONS (NOT FOR RETROFIT)

- Designer Colors: Warm Red, Black, Gray Granite, White Granite, Navy Blue, Hunter Green
- Hardcoated Surface (GRHW-1P, -2P, -1SG, -1SGS, -1SGD only)
- Infinite Control (GRHW-1P, -2P, -1SG, -1SGS only)
- Halogen Bulb in lieu of Standard Display Light

ACCESSORIES

- Sign Holder (GRHW-1SGD, -1SGDS only)
- 4" (102 mm) Adjustable Legs (GRHW-.5P, -1P, -2P, -1SG only)
- Hardcoated Tray (GRHW-.5P only)
- Hardcoated Bin (GRHW-1SG, -1SGS, -1SGD only)
- 4-Sided Sign Holder (GRHW-1SG only)
- Plastic Food Pans
- Plastic Pan Lids

PRODUCT SPECS

Mini-Merchandiser

The heated Mini-Merchandiser shall be a Glo-Ray® Modelas manufactured by the Hatco Corporation, Milwaukee, WI 53234 U.S.A.

The warmer shall be rated atwatts,volts, and beinches (millimeters) in overall width. It shall consist of

a thermostatically-controlled heated base, infrared heat from above (except GRHW-.5P), breath protector, and incandescent display lights. GRHW-1SGD and GRHW-1SGDS will also include a patented heated glass center shelf.

The infrared heating element shall be tubular metal sheathed and the warmer shall have a cord with plug attached.

HATCO CORPORATION P.O. Box 340500 Milwaukee, WI 53234-0500 U.S.A. • (800) 558-0607 • (414) 671-6350
 Fax (800) 543-7521 • Int'l. Fax (414) 671-3976 • www.hatcocorp.com • E-mail: equipsales@hatcocorp.com