



Project _____
 Item # _____
 Quantity _____

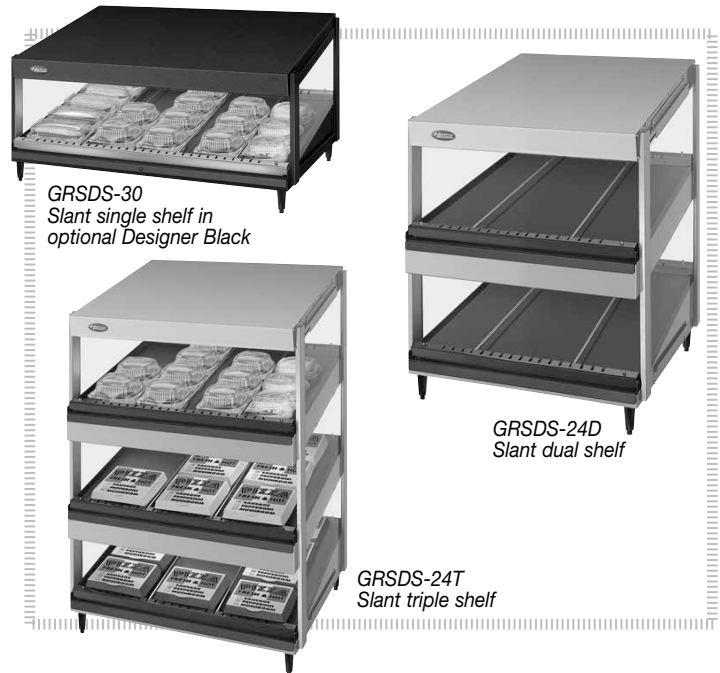
Glo-Ray® Slant Merchandising Display Warmers

Models: GRSDS-24, -30, -36, -41, -52, -60
 GRSDS-24D, -30D, -36D, -41D, -52D, -60D
 GRSDS-24T, -36T

Hatco's Glo-Ray® Slant Merchandising Display Warmers are designed specifically to hold hot wrapped or boxed product safely, and at proper serving temperatures. With pre-focused infrared top heat and a thermostatically-controlled hardcoated heated base, they excel at extending the holding times of most food, offering the convenience of self-serve and the efficiency of kitchen-to-server holding.

Standard features

- Shelves are slanted for the convenience of self-service
- Models have pre-focused infrared top heat directing heat to the outer edges of the holding surface where heat loss is the greatest
- Thermostatically-controlled, hardcoated heated base has a temperature range of 185°- 200°F (85°- 93°C)
- Coated shatter-resistant incandescent lights enhance product display while safeguarding food products from bulb breakage
- NSF require units over 36" (914 mm) in width or weighing more than 80 lbs. (36 kg) to be either sealed, or raised on the installation surface with the 4" (102 mm) legs included
- Standard units shipped with: tempered glass side panels, hardcoated shelves, coated shatter-resistant incandescent lights, adjustable dividers, 4" (102 mm) legs, and a 6' (1829 mm) cord with plug



GRSDS-30
 Slant single shelf in optional Designer Black

GRSDS-24D
 Slant dual shelf

GRSDS-24T
 Slant triple shelf

Options (available at time of purchase only)

Designer Colors

- Non-standard colors are non-returnable – Glossy Gray standard
- Warm Red Black Gray Granite White Granite
 - Navy Blue Hunter Green Antique Copper

- LED Indicating Temperature Control
- Stainless Steel End Panels in lieu of Glass End Panels
- 5" (127 mm) Sneeze Guard (customer side only)
 - 24" (609 mm) model 30" (762 mm) model
 - 36" (914 mm) model 41" (1041 mm) model
 - 52" (1321 mm) model 60" (1524 mm) model
- Halogen Bulb (60 watt) in lieu of Standard Display Light (not available for export voltages)
- Flip-up Door Locking Plate

Display Sign Holder (signs not included) Color Matches Unit Color

- Top or Intermediate Shelf
- 24" (609 mm) model 30" (762 mm) model
- 36" (914 mm) model 41" (1041 mm) model
- 52" (1321 mm) model 60" (1524 mm) model

Accessories

- 4" (102 mm) Adjustable Legs
 (Standard on models GRSDS-36 and larger, and all dual models)
- Plexi-Glass Flip-Up doors on one side - Not compatible with optional sneeze guards in same opening (one side only)
 - 24" (609 mm) model 30" (762 mm) model
 - 36" (914 mm) model 41" (1041 mm) model
 - 52" (1321 mm) model, split doors 60" (1524 mm) model, split door
- Additional Stainless Steel Divider Rods



HATCO CORPORATION | P.O. Box 340500 Milwaukee, WI 53234-0500 U.S.A.

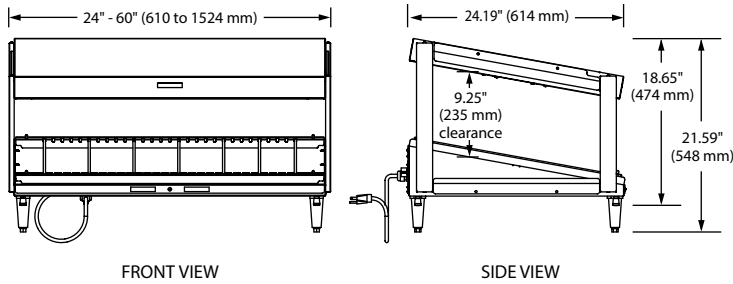
(800) 558-0607 | (414) 671-6350 | www.hatcocorp.com | equipsales@hatcocorp.com | intl@hatcocorp.com



Glo-Ray® Slant Merchandising Display Warmers

Models: GRSDS-24, -30, -36, -41, -52, -60 GRSDS-24D, -30D, -36D, -41D, -52D, -60D
GRSDS-24T, -36T

SLANT SINGLE SHELF



SPECIFICATIONS Single Shelf – SLANT MERCHANDISING DISPLAY WARMERS

The shaded areas contain electrical information for International models

Model	No. of Bulbs, Divider Rods	Dimensions (W x D x H)	Usable Heated Shelf Space (W x D)	Average Chute Width	Volts	Watts	Amps	Plug	Ship Weight*
GRSDS-24	2, 5	24" x 24.19" x 18.65" (610 x 614 x 474 mm) on 1" (25 mm) legs	22.5" x 21" (571 x 533 mm)	3.75" (95 mm)	120	695	5.8	NEMA 5-15P	80 lbs. (36 kg)
					220	629	2.9	CEE 7/7 Schuko	
					240	749	3.1	BS-1363	
					220-230 (CE)	629-688	2.9-3.0	CEE 7/7 Schuko	
					230-240 (CE)	688-749	3.0-3.1	BS-1363	
GRSDS-30	2, 6	30" x 24.19" x 18.65" (762 x 614 x 474 mm) on 1" (25 mm) legs	28.5" x 21" (723 x 533 mm)	4.25" (108 mm)	120	790	6.6	NEMA 5-15P	80 lbs. (36 kg)
					220	730	3.3	CEE 7/7 Schuko	
					240	870	3.6	BS-1363	
					220-230 (CE)	730-799	3.3-3.5	CEE 7/7 Schuko	
					230-240 (CE)	799-870	3.5-3.6	BS-1363	
GRSDS-36	2, 7	36" x 24.19" x 18.65" (914 x 614 x 474 mm) on 1" (25 mm) legs	34.5" x 21" (876 x 533 mm)	4.5" (114 mm)	120	935	7.8	NEMA 5-15P	92 lbs. (42 kg)
					220	864	3.9	CEE 7/7 Schuko	
					240	1030	4.3	BS-1363	
					220-230 (CE)	864-946	3.9-4.1	CEE 7/7 Schuko	
					230-240 (CE)	946-1030	4.1-4.3	BS-1363	
GRSDS-41	3, 8	41" x 24.19" x 21.59" (1041 x 614 x 548 mm) on 4" (102 mm) legs	39.5" x 21" (1003 x 533 mm)	4.5" (114 mm)	120	1090	9.1	NEMA 5-15P	96 lbs. (44 kg)
					220	1003	4.6	CEE 7/7 Schuko	
					240	1195	5.0	BS-1363	
					220-230 (CE)	1003-1097	4.6-4.8	CEE 7/7 Schuko	
					230-240 (CE)	1097-1195	4.8-5.0	BS-1363	
GRSDS-52	4, 10	52" x 24.19" x 21.59" (1321 x 614 x 548 mm) on 4" (102 mm) legs	50.5" x 21" (1282 x 533 mm)	4.63" (117 mm)	120	1400	11.7	NEMA 5-15P	110 lbs. (50 kg)
					220	1275	5.8	CEE 7/7 Schuko	
					240	1520	6.3	BS-1363	
					220-230 (CE)	1275-1396	5.8-6.1	CEE 7/7 Schuko	
					230-240 (CE)	1396-1520	6.1-6.3	BS-1363	
GRSDS-60	5, 12	60" x 24.19" x 21.59" (1524 x 614 x 548 mm) on 4" (102 mm) legs	58.5" x 21" (1485 x 533 mm)	4.5" (114 mm)	120	1715	14.3	NEMA 5-15P [▲]	167 lbs. (76 kg)
					220	1665	7.6	CEE 7/7 Schuko	
					240	1715	7.2	BS-1363	
					220-230 (CE)	1665-1820	7.6-7.9	CEE 7/7 Schuko	
					230-240 (CE)	1575-1715	6.8-7.2	BS-1363	

* Shipping weight includes packaging.

▲ Canada, use NEMA 5-20P.

HATCO CORPORATION | P.O. Box 340500 Milwaukee, WI 53234-0500 U.S.A.

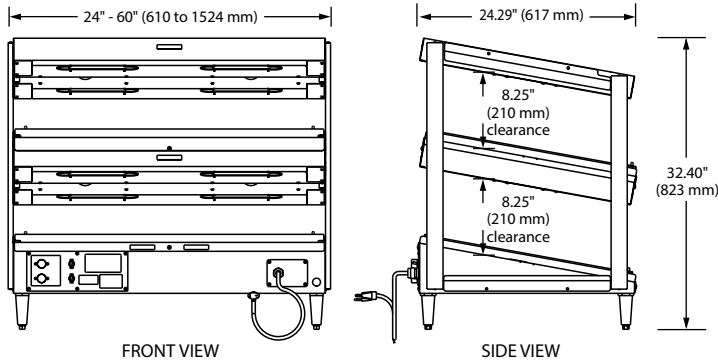
(800) 558-0607 | (414) 671-6350 | www.hatcocorp.com | equipsales@hatcocorp.com | intl@hatcocorp.com



Glo-Ray® Slant Merchandising Display Warmers

Models: GRSDS-24, -30, -36, -41, -52, -60 GRSDS-24D, -30D, -36D, -41D, -52D, -60D
GRSDS-24T, -36T

SLANT DUAL SHELF



SPECIFICATIONS

Dual Shelf — SLANT MERCHANDISING DISPLAY WARMERS

The shaded areas contain electrical information for International models

Model	No. of Bulbs, Divider Rods	Dimensions (W x D x H) Height includes 4" (102 mm) legs	Usable Heated Shelf Space (W x D)	Average Chute Width	Volts	Watts	Amps	Plug	Ship Weight*
GRSDS-24D	4, 10	24" x 24.29" x 32.40" (610 x 617 x 823 mm)	22.59" x 21" (573 x 533 mm)	3.75" (95 mm)	120	1355	11.3	NEMA 5-15P	115 lbs. (52 kg)
					220	1260	5.7	CEE 7/7 Schuko	115 lbs. (52 kg)
					240	1502	6.3	BS-1363	
					220-230 (CE)	1260-1378	5.7-6.0	CEE 7/7 Schuko	
					230-240 (CE)	1378-1502	6.0-6.3	BS-1363	
GRSDS-30D	4, 12	30" x 24.29" x 32.40" (762 x 617 x 823 mm)	28.59" x 21" (726 x 533 mm)	4.25" (108 mm)	120	1530	12.8	NEMA 5-20P [▲]	140 lbs. (64 kg)
					220	1419	6.5	CEE 7/7 Schuko	140 lbs. (64 kg)
					240	1690	7.0	BS-1363	
					220-230 (CE)	1419-1552	6.5-6.8	CEE 7/7 Schuko	
					230-240 (CE)	1552-1690	6.8-7.0	BS-1363	
GRSDS-36D	4, 14	36" x 24.29" x 32.40" (914 x 617 x 823 mm)	34.59" x 21" (878 x 533 mm)	4.5" (114 mm)	120	1810	15.1	NEMA 5-20P	160 lbs. (73 kg)
					220	1669	7.6	CEE 7/7 Schuko	160 lbs. (73 kg)
					240	1990	8.3	BS-1363	
					220-230 (CE)	1669-1827	7.6-7.9	CEE 7/7 Schuko	
					230-240 (CE)	1827-1990	7.9-8.3	BS-1363	
GRSDS-41D	6, 16	41" x 24.29" x 32.40" (1041 x 617 x 823 mm)	39.59" x 21" (1005 x 533 mm)	4.5" (114 mm)	120	1090/1030	9.1/8.6	NEMA 5-15P [‡]	180 lbs. (82 kg)
					120/208-240	2120	9.1	NEMA L14-20P	180 lbs. (82 kg)
					220	1951	8.9	CEE 7/7 Schuko	
					240	2325	9.7	BS-1363	
					220-230 (CE)	1951-2135	8.9-9.3	CEE 7/7 Schuko	
					230-240 (CE)	2135-2325	9.3-9.7	BS-1363	
GRSDS-52D	8, 20	52" x 24.29" x 32.40" (1321 x 617 x 823 mm)	50.59" x 21" (1284 x 533 mm)	4.63" (117 mm)	120	1400/1325	11.7/11.0	NEMA 5-15P [‡]	215 lbs. (98 kg)
					120/208-240	2725	11.7	NEMA L14-20P	215 lbs. (98 kg)
					220	2483	11.3	CEE 7/7 Schuko	
					240	2960	12.3	BS-1363	
					220-230 (CE)	2483-2718	11.3-11.8	CEE 7/7 Schuko	
					230-240 (CE)	2718-2960	11.8-12.3	BS-1363	
GRSDS-60D	10, 24	60" x 24.29" x 32.40" (1524 x 617 x 823 mm)	58.59" x 21" (1488 x 533 mm)	4.5" (114 mm)	120/208-240	3340	14.3	NEMA L14-20P	238 lbs. (108 kg)
					220	3240	14.7	CEE 7/7 Schuko	238 lbs. (108 kg)
					240	3340	13.9	No Plug	
					220-230 (CE)	3240-3541	14.7-15.4	CEE 7/7 Schuko	
					230-240 (CE)	3067-3340	13.3-13.9	No Plug	

* Shipping weight includes packaging.

▲ Canada, use NEMA 5-20P.

‡ Not available for Canada, has two NEMA 5-15P power cords.

HATCO CORPORATION | P.O. Box 340500 Milwaukee, WI 53234-0500 U.S.A.

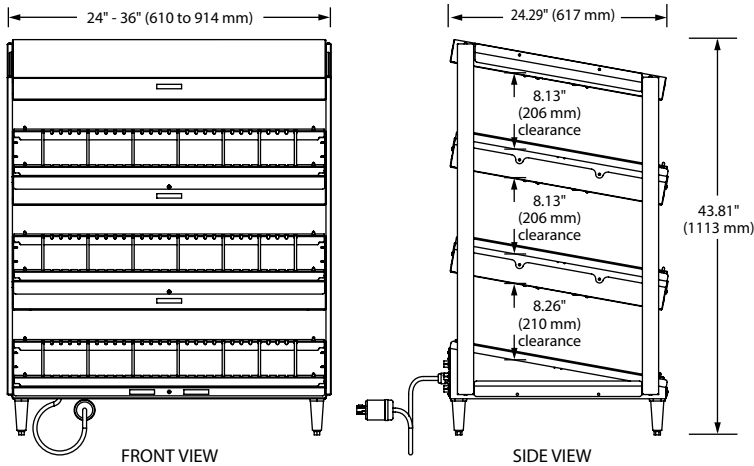
(800) 558-0607 | (414) 671-6350 | www.hatcocorp.com | equipsales@hatcocorp.com | intl@hatcocorp.com



Glo-Ray® Slant Merchandising Display Warmers

Models: GRSDS-24, -30, -36, -41, -52, -60 GRSDS-24D, -30D, -36D, -41D, -52D, -60D
GRSDS-24T, -36T

SLANT TRIPLE SHELF



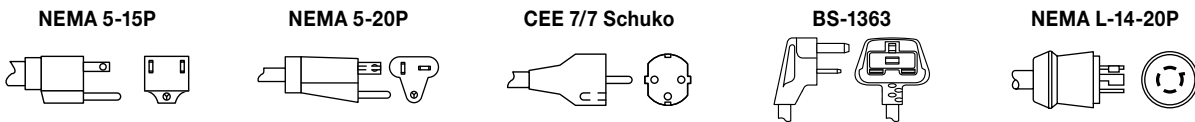
SPECIFICATIONS Triple Shelf — SLANT MERCHANDISING DISPLAY WARMERS

Model	No. of Bulbs, Divider Rods	Dimensions (W x D x H) Height includes 4" (102 mm) legs	Usable Heated Shelf Space (W x D)	Average Chute Width	Volts	Watts	Amps	Plug	Ship Weight*
GRSDS-24T [§]	6, 15	24" x 24.29" x 43.81" (610 x 617 x 1113 mm)	22.59" x 21" (573 x 533 mm)	3.75" (95 mm)	120	2015	16.8	NEMA 5-20P	164 lbs. (74 kg)
GRSDS-36T	6, 21	36" x 24.29" x 43.81" (914 x 617 x 1113 mm)	34.59" x 21" (878 x 533 mm)	4.5" (114 mm)	120/208-240	2685	14.6	NEMA L14-20P	219 lbs. (99 kg)

* Shipping weight includes packaging.
[§] Not available for Canada.

CORD LOCATION
 Control side at right base corner.

PLUG CONFIGURATIONS



PRODUCT SPECS Glo-Ray® Slant Merchandising Warmer

The Merchandising Warmer shall be a Glo-Ray® Model ... as manufactured by the Hatco Corporation, Milwaukee, WI 53234 U.S.A.

The warmer shall be rated at ... watts, ... volts, and be ... inches (millimeters) in overall width. It shall consist of a thermostatically-controlled, hardcoated heated base, infrared heat from above, full view tempered glass sides, adjustable divider rods, and incandescent display lights. The infrared heating element shall be tubular metal

sheathed and the warmer shall have a cord with plug attached.

Accessories shall include flip-up doors, 4" (102 mm) legs, and additional stainless steel dividers rods.

Warranty consists of 24/7 parts and service assistance (US and Canada only).

HATCO CORPORATION | P.O. Box 340500 Milwaukee, WI 53234-0500 U.S.A.

(800) 558-0607 | (414) 671-6350 | www.hatcocorp.com | equipsales@hatcocorp.com | intl@hatcocorp.com