



Project _____
 Item # _____
 Quantity _____

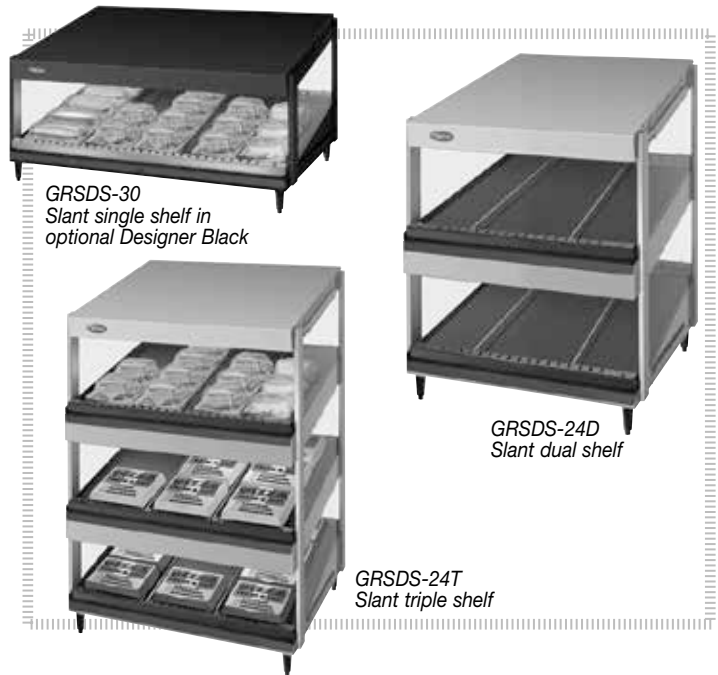
Glo-Ray® Slant Merchandising Display Warmers

Models: GRSDS-24, -30, -36, -41, -52, -60
 GRSDS-24D, -30D, -36D, -41D, -52D, -60D
 GRSDS-24T, -36T

Hatco's Glo-Ray® Slant Merchandising Display Warmers are designed specifically to hold hot wrapped or boxed product safely, and at proper serving temperatures. With pre-focused infrared top heat and a thermostatically-controlled hardcoated heated base, they excel at extending the holding times of most food, offering the convenience of self-serve and the efficiency of kitchen-to-server holding.

Standard features

- Shelves are slanted for the convenience of self-service
- Models have pre-focused infrared top heat directing heat to the outer edges of the holding surface where heat loss is the greatest
- Thermostatically-controlled, hardcoated heated base has a temperature range of 185°- 200°F (85°- 93°C)
- Coated shatter-resistant incandescent lights enhance product display while safeguarding food products from bulb breakage
- NSF require units over 36" (914 mm) in width or weighing more than 80 lbs. (36 kg) to be either sealed, or raised on the installation surface with the 4" (102 mm) legs included
- Standard units shipped with: tempered glass side panels, hardcoated shelves, coated shatter-resistant incandescent lights, adjustable dividers, 4" (102 mm) legs, and a 6' (1829 mm) cord with plug



Options (available at time of purchase only)

Designer Colors

- Non-standard colors are non-returnable – Glossy Gray standard
- Warm Red Black Gray Granite White Granite
 Navy Blue Hunter Green Antique Copper

- LED Indicating Temperature Control
- Stainless Steel End Panels in lieu of Glass End Panels
- 5" (127 mm) Sneeze Guard (customer side only)
- 24" (609 mm) model 30" (762 mm) model
 36" (914 mm) model 41" (1041 mm) model
 52" (1321 mm) model 60" (1524 mm) model
- Halogen Bulb (60 watt) in lieu of Standard Display Light (not available for export voltages)
- Flip-up Door Locking Plate

Display Sign Holder (signs not included) Color Matches Unit Color

- Top or Intermediate Shelf
- 24" (609 mm) model 30" (762 mm) model
 36" (914 mm) model 41" (1041 mm) model
 52" (1321 mm) model 60" (1524 mm) model

Accessories

- 4" (102 mm) Adjustable Legs
 (Standard on models GRSDS-36 and larger, and all dual models)
- Plexi-Glass Flip-Up doors on one side - Not compatible with optional sneeze guards in same opening (one side only)
- 24" (609 mm) model 30" (762 mm) model
 36" (914 mm) model 41" (1041 mm) model
 52" (1321 mm) model, split doors 60" (1524 mm) model, split door
- Additional Stainless Steel Divider Rods



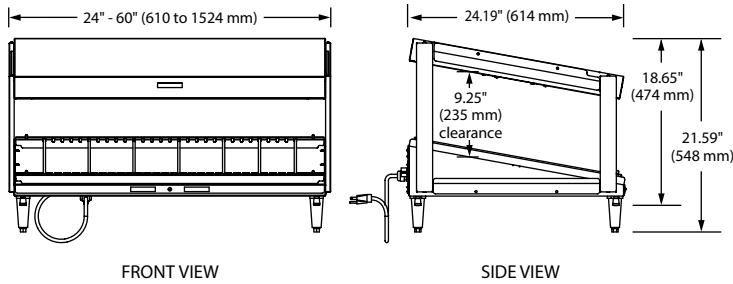
HATCO CORPORATION | P.O. Box 340500 Milwaukee, WI 53234-0500 U.S.A. | (800) 558-0607 | (414) 671-6350
 Fax: (800) 543-7521 | Int'l. Fax: (414) 671-3976 | www.hatcocorp.com | equipsales@hatcocorp.com | intl@hatcocorp.com



Glo-Ray® Slant Merchandising Display Warmers

Models: GRSDS-24, -30, -36, -41, -52, -60 GRSDS-24D, -30D, -36D, -41D, -52D, -60D
GRSDS-24T, -36T

SLANT SINGLE SHELF



SPECIFICATIONS

Single Shelf – SLANT MERCHANDISING DISPLAY WARMERS

The shaded areas contain electrical information for International models

| Model | No. of Bulbs, Divider Rods | Dimensions (W x D x H) | Usable Heated Shelf Space (W x D) | Average Chute Width | Volts | Watts | Amps | Plug | Ship Weight* |
|----------|----------------------------|---|-----------------------------------|---------------------|--------------|-----------|---------|-------------------------|------------------|
| GRSDS-24 | 2, 5 | 24" x 24.19" x 18.65" (610 x 614 x 474 mm) on 1" (25 mm) legs | 22.5" x 21" (571 x 533 mm) | 3.75" (95 mm) | 120 | 695 | 5.8 | NEMA 5-15P | 80 lbs. (36 kg) |
| | | | | | 220 | 629 | 2.9 | CEE 7/7 Schuko | |
| | | | | | 240 | 749 | 3.1 | BS-1363 | |
| | | | | | 220-230 (CE) | 629-688 | 2.9-3.0 | CEE 7/7 Schuko | |
| | | | | | 230-240 (CE) | 688-749 | 3.0-3.1 | BS-1363 | |
| GRSDS-30 | 2, 6 | 30" x 24.19" x 18.65" (762 x 614 x 474 mm) on 1" (25 mm) legs | 28.5" x 21" (723 x 533 mm) | 4.25" (108 mm) | 120 | 790 | 6.6 | NEMA 5-15P | 80 lbs. (36 kg) |
| | | | | | 220 | 730 | 3.3 | CEE 7/7 Schuko | |
| | | | | | 240 | 870 | 3.6 | BS-1363 | |
| | | | | | 220-230 (CE) | 730-799 | 3.3-3.5 | CEE 7/7 Schuko | |
| | | | | | 230-240 (CE) | 799-870 | 3.5-3.6 | BS-1363 | |
| GRSDS-36 | 2, 7 | 36" x 24.19" x 18.65" (914 x 614 x 474 mm) on 1" (25 mm) legs | 34.5" x 21" (876 x 533 mm) | 4.5" (114 mm) | 120 | 935 | 7.8 | NEMA 5-15P | 92 lbs. (42 kg) |
| | | | | | 220 | 864 | 3.9 | CEE 7/7 Schuko | |
| | | | | | 240 | 1030 | 4.3 | BS-1363 | |
| | | | | | 220-230 (CE) | 864-946 | 3.9-4.1 | CEE 7/7 Schuko | |
| | | | | | 230-240 (CE) | 946-1030 | 4.1-4.3 | BS-1363 | |
| GRSDS-41 | 3, 8 | 41" x 24.19" x 21.59" (1041 x 614 x 548 mm) on 4" (102 mm) legs | 39.5" x 21" (1003 x 533 mm) | 4.5" (114 mm) | 120 | 1090 | 9.1 | NEMA 5-15P | 96 lbs. (44 kg) |
| | | | | | 220 | 1003 | 4.6 | CEE 7/7 Schuko | |
| | | | | | 240 | 1195 | 5.0 | BS-1363 | |
| | | | | | 220-230 (CE) | 1003-1097 | 4.6-4.8 | CEE 7/7 Schuko | |
| | | | | | 230-240 (CE) | 1097-1195 | 4.8-5.0 | BS-1363 | |
| GRSDS-52 | 4, 10 | 52" x 24.19" x 21.59" (1321 x 614 x 548 mm) on 4" (102 mm) legs | 50.5" x 21" (1282 x 533 mm) | 4.63" (117 mm) | 120 | 1400 | 11.7 | NEMA 5-15P | 110 lbs. (50 kg) |
| | | | | | 220 | 1275 | 5.8 | CEE 7/7 Schuko | |
| | | | | | 240 | 1520 | 6.3 | BS-1363 | |
| | | | | | 220-230 (CE) | 1275-1396 | 5.8-6.1 | CEE 7/7 Schuko | |
| | | | | | 230-240 (CE) | 1396-1520 | 6.1-6.3 | BS-1363 | |
| GRSDS-60 | 5, 12 | 60" x 24.19" x 21.59" (1524 x 614 x 548 mm) on 4" (102 mm) legs | 58.5" x 21" (1485 x 533 mm) | 4.5" (114 mm) | 120 | 1715 | 14.3 | NEMA 5-15P [▲] | 167 lbs. (76 kg) |
| | | | | | 220 | 1665 | 7.6 | CEE 7/7 Schuko | |
| | | | | | 240 | 1715 | 7.2 | BS-1363 | |
| | | | | | 220-230 (CE) | 1665-1820 | 7.6-7.9 | CEE 7/7 Schuko | |
| | | | | | 230-240 (CE) | 1575-1715 | 6.8-7.2 | BS-1363 | |

* Shipping weight includes packaging.

▲ Canada, use NEMA 5-20P.

HATCO CORPORATION | P.O. Box 340500 Milwaukee, WI 53234-0500 U.S.A. | (800) 558-0607 | (414) 671-6350

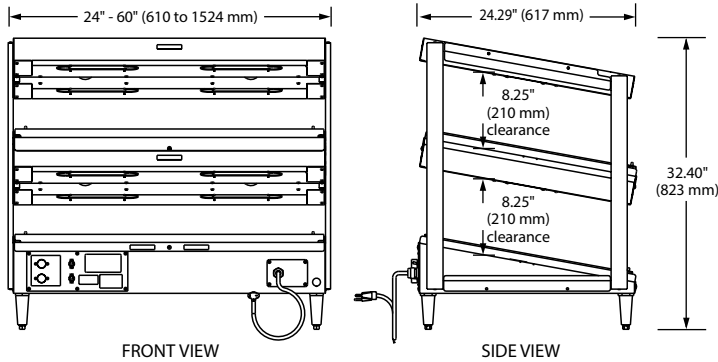
Fax: (800) 543-7521 | Int'l. Fax: (414) 671-3976 | www.hatcocorp.com | equipsales@hatcocorp.com | intl@hatcocorp.com



Glo-Ray® Slant Merchandising Display Warmers

Models: GRSDS-24, -30, -36, -41, -52, -60 GRSDS-24D, -30D, -36D, -41D, -52D, -60D
GRSDS-24T, -36T

SLANT DUAL SHELF



SPECIFICATIONS Dual Shelf — SLANT MERCHANDISING DISPLAY WARMERS

The shaded areas contain electrical information for International models

| Model | No. of Bulbs, Divider Rods | Dimensions (W x D x H) Height includes 4" (102 mm) legs | Usable Heated Shelf Space (W x D) | Average Chute Width | Volts | Watts | Amps | Plug | Ship Weight* |
|-----------|----------------------------|--|-----------------------------------|---------------------|--------------|-----------|-----------|-------------------------|-------------------|
| GRSDS-24D | 4, 10 | 24" x 24.29" x 32.40" (610 x 617 x 823 mm) | 22.59" x 21" (573 x 533 mm) | 3.75" (95 mm) | 120 | 1355 | 11.3 | NEMA 5-15P | 115 lbs. (52 kg) |
| | | | | | 220 | 1260 | 5.7 | CEE 7/7 Schuko | |
| | | | | | 240 | 1502 | 6.3 | BS-1363 | |
| | | | | | 220-230 (CE) | 1260-1378 | 5.7-6.0 | CEE 7/7 Schuko | |
| | | | | | 230-240 (CE) | 1378-1502 | 6.0-6.3 | BS-1363 | |
| GRSDS-30D | 4, 12 | 30" x 24.29" x 32.40" (762 x 617 x 823 mm) | 28.59" x 21" (726 x 533 mm) | 4.25" (108 mm) | 120 | 1530 | 12.8 | NEMA 5-20P [▲] | 140 lbs. (64 kg) |
| | | | | | 220 | 1419 | 6.5 | CEE 7/7 Schuko | |
| | | | | | 240 | 1690 | 7.0 | BS-1363 | |
| | | | | | 220-230 (CE) | 1419-1552 | 6.5-6.8 | CEE 7/7 Schuko | |
| | | | | | 230-240 (CE) | 1552-1690 | 6.8-7.0 | BS-1363 | |
| GRSDS-36D | 4, 14 | 36" x 24.29" x 32.40" (914 x 617 x 823 mm) | 34.59" x 21" (878 x 533 mm) | 4.5" (114 mm) | 120 | 1810 | 15.1 | NEMA 5-20P | 160 lbs. (73 kg) |
| | | | | | 220 | 1669 | 7.6 | CEE 7/7 Schuko | |
| | | | | | 240 | 1990 | 8.3 | BS-1363 | |
| | | | | | 220-230 (CE) | 1669-1827 | 7.6-7.9 | CEE 7/7 Schuko | |
| | | | | | 230-240 (CE) | 1827-1990 | 7.9-8.3 | BS-1363 | |
| GRSDS-41D | 6, 16 | 41" x 24.29" x 32.40" (1041 x 617 x 823 mm) | 39.59" x 21" (1005 x 533 mm) | 4.5" (114 mm) | 120 | 1090/1030 | 9.1/8.6 | NEMA 5-15P [‡] | 180 lbs. (82 kg) |
| | | | | | 120/208-240 | 2120 | 9.1 | NEMA L14-20P | |
| | | | | | 220 | 1951 | 8.9 | CEE 7/7 Schuko | |
| | | | | | 240 | 2325 | 9.7 | BS-1363 | |
| | | | | | 220-230 (CE) | 1951-2135 | 8.9-9.3 | CEE 7/7 Schuko | |
| | | | | | 230-240 (CE) | 2135-2325 | 9.3-9.7 | BS-1363 | |
| GRSDS-52D | 8, 20 | 52" x 24.29" x 32.40" (1321 x 617 x 823 mm) | 50.59" x 21" (1284 x 533 mm) | 4.63" (117 mm) | 120 | 1400/1325 | 11.7/11.0 | NEMA 5-15P [‡] | 215 lbs. (98 kg) |
| | | | | | 120/208-240 | 2725 | 11.7 | NEMA L14-20P | |
| | | | | | 220 | 2483 | 11.3 | CEE 7/7 Schuko | |
| | | | | | 240 | 2960 | 12.3 | BS-1363 | |
| | | | | | 220-230 (CE) | 2483-2718 | 11.3-11.8 | CEE 7/7 Schuko | |
| | | | | | 230-240 (CE) | 2718-2960 | 11.8-12.3 | BS-1363 | |
| GRSDS-60D | 10, 24 | 60" x 24.29" x 32.40" (1524 x 617 x 823 mm) | 58.59" x 21" (1488 x 533 mm) | 4.5" (114 mm) | 120/208-240 | 3340 | 14.3 | NEMA L14-20P | 238 lbs. (108 kg) |
| | | | | | 220 | 3240 | 14.7 | CEE 7/7 Schuko | |
| | | | | | 240 | 3340 | 13.9 | No Plug | |
| | | | | | 220-230 (CE) | 3240-3541 | 14.7-15.4 | CEE 7/7 Schuko | |
| | | | | | 230-240 (CE) | 3067-3340 | 13.3-13.9 | No Plug | |

* Shipping weight includes packaging.

▲ Canada, use NEMA 5-20P.

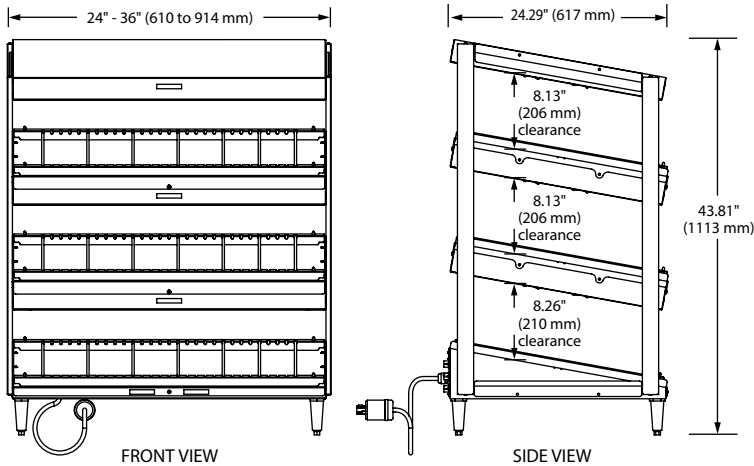
‡ Not available for Canada, has two NEMA 5-15P power cords.



Glo-Ray® Slant Merchandising Display Warmers

Models: GRSDS-24, -30, -36, -41, -52, -60 GRSDS-24D, -30D, -36D, -41D, -52D, -60D
GRSDS-24T, -36T

SLANT TRIPLE SHELF



SPECIFICATIONS Triple Shelf — SLANT MERCHANDISING DISPLAY WARMERS

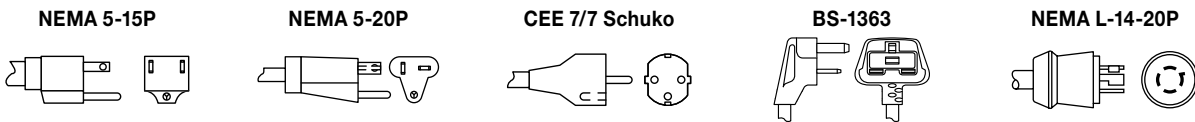
| Model | No. of Bulbs, Divider Rods | Dimensions (W x D x H) Height includes 4" (102 mm) legs | Usable Heated Shelf Space (W x D) | Average Chute Width | Volts | Watts | Amps | Plug | Ship Weight* |
|------------------------|----------------------------|--|-----------------------------------|---------------------|-------------|-------|------|--------------|------------------|
| GRSDS-24T [§] | 6, 15 | 24" x 24.29" x 43.81" (610 x 617 x 1113 mm) | 22.59" x 21" (573 x 533 mm) | 3.75" (95 mm) | 120 | 2015 | 16.8 | NEMA 5-20P | 164 lbs. (74 kg) |
| GRSDS-36T | 6, 21 | 36" x 24.29" x 43.81" (914 x 617 x 1113 mm) | 34.59" x 21" (878 x 533 mm) | 4.5" (114 mm) | 120/208-240 | 2685 | 14.6 | NEMA L14-20P | 219 lbs. (99 kg) |

* Shipping weight includes packaging.
§ Not available for Canada.

CORD LOCATION

Control side at right base corner.

PLUG CONFIGURATIONS



PRODUCT SPECS

Glo-Ray® Slant Merchandising Warmer

The Merchandising Warmer shall be a Glo-Ray® Model ... as manufactured by the Hatco Corporation, Milwaukee, WI 53234 U.S.A.

The warmer shall be rated at ... watts, ... volts, and be ... inches (millimeters) in overall width. It shall consist of a thermostatically-controlled, hardcoated heated base, infrared heat from above, full view tempered glass sides, adjustable divider rods, and incandescent display lights. The infrared heating element shall be tubular metal

sheathed and the warmer shall have a cord with plug attached.

Accessories shall include flip-up doors, 4" (102 mm) legs, and additional stainless steel dividers rods.

Warranty consists of 24/7 parts and service assistance (US and Canada only).

HATCO CORPORATION | P.O. Box 340500 Milwaukee, WI 53234-0500 U.S.A. | (800) 558-0607 | (414) 671-6350
Fax: (800) 543-7521 | Int'l. Fax: (414) 671-3976 | www.hatcocorp.com | equipsales@hatcocorp.com | intl@hatcocorp.com