



Project _____
 Item # _____
 Quantity _____

Glo-Ray® Round Heated Shelves

Models: GRSR-15, -17, -19

The contemporary-styled Glo-Ray® Round Heated Shelf keeps hot food at serving temperatures. Ideal for wrapped product or for use behind a breath protector with unwrapped food such as pizza, biscuits, corn bread, muffins and cookies.

Standard features

- Unit designed for countertop or built-in use
- Available in three sizes to hold standard 15", 17" or 19" (381, 432 or 483 mm) diameter pizza pans in position
- Stainless steel top and either powder-coated *Designer* color sides or optional stainless steel side (Black standard)
- Thermostatically-controlled heated base
- An On/Off lighted rocker switch and indicator light
- Durable stainless steel housing
- Simple design for easy cleaning and maintenance
- All units come with a 6' (1829 mm) cord and plug



Options (available at time of purchase only)

Designer Colors for Side - Non-standard colors are non-returnable -

- Black is standard
 Warm Red Gray Granite White Granite Navy Blue
 Hunter Green Antique Copper

Stainless Steel Side

Accessories

Perforated Pizza Pan:

- 14" (356 mm) 16" (406 mm) 18" (457 mm)



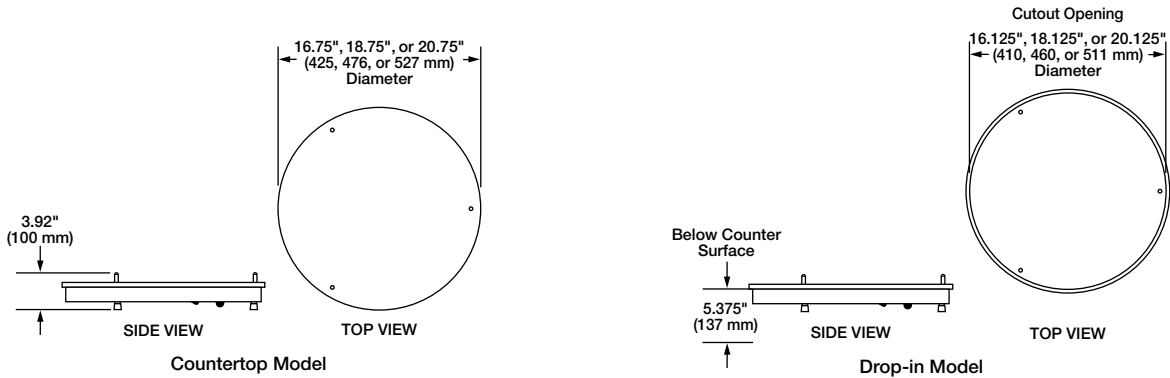
HHATCO CORPORATION | P.O. Box 340500 Milwaukee, WI 53234-0500 U.S.A.

(800) 558-0607 | (414) 671-6350 | www.hatcocorp.com | equipsales@hatcocorp.com | intl@hatcocorp.com



Glo-Ray® Round Heated Shelves

Models: GRSR-15, -17, -19



SPECIFICATIONS Round Heated Shelves

The shaded areas contain electrical information for International models

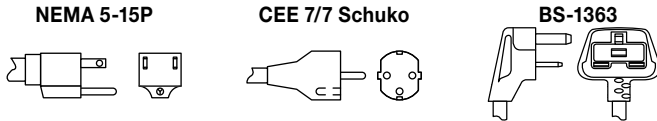
Model [▲]	Maximum Pan Size	Dimensions (Diameter x H [*])	Volts	Watts	Amps	Plug	Ship Weight [*]
GRSR-15	15" (381 mm)	16.75" x 3.92" (425 x 100 mm)	120	250	2.1	NEMA 5-15P	12 lbs. (6 kg)
			220 (CE)	250	1.1	CEE 7/7 Schuko	12 lbs. (6 kg)
			240 (CE)	250	1.0	BS-1363	
GRSR-17	17" (432 mm)	18.75" x 3.92" (476 x 100 mm)	120	325	2.7	NEMA 5-15P	14 lbs. (7 kg)
			220 (CE)	325	1.5	CEE 7/7 Schuko	14 lbs. (7 kg)
			240 (CE)	325	1.4	BS-1363	
GRSR-19	19" (483 mm)	20.75" x 3.92" (527 x 100 mm)	120	400	3.3	NEMA 5-15P	17 lbs. (8 kg)
			220 (CE)	400	1.8	CEE 7/7 Schuko	17 lbs. (8 kg)
			240 (CE)	400	1.7	BS-1363	

[▲] When no color is specified, unit side will be *Designer Black*.
^{*} Shipping weight includes packaging.

CORD LOCATION

Underneath unit.

PLUG CONFIGURATIONS



COUNTERTOP CUTOUT DIMENSIONS (For Built-in Applications)

Model	Cutout Diameter	Minimum Space Required Below Countertop
GRSR-15	16.125" (410 mm)	5.375" (137 mm)
GRSR-17	18.125" (460 mm)	5.375" (137 mm)
GRSR-19	20.125" (511 mm)	5.375" (137 mm)

PRODUCT SPECS Glo-Ray® Round Heated Shelf

The Round Heated Shelf shall be Glo-Ray® Model... as manufactured by the Hatco Corporation, Milwaukee, WI 53234 U.S.A.

The Round Heated Shelf shall be rated atwatts,volts, and beinches (millimeters) in overall diameter. It shall consist of a heated base and a 6" (1829 mm)

cord with plug attached.

Warranty consists of 24/7 parts and service assistance (U.S. and Canada only).

HATCO CORPORATION | P.O. Box 340500 Milwaukee, WI 53234-0500 U.S.A.

(800) 558-0607 | (414) 671-6350 | www.hatcocorp.com | equipsales@hatcocorp.com | intl@hatcocorp.com