



Project _____
 Item # _____
 Quantity _____

Glo-Rite® Curved Display Lights

Models: HL5-18, -24, -30, -36, -42, -48, -54, -60, -66, -72

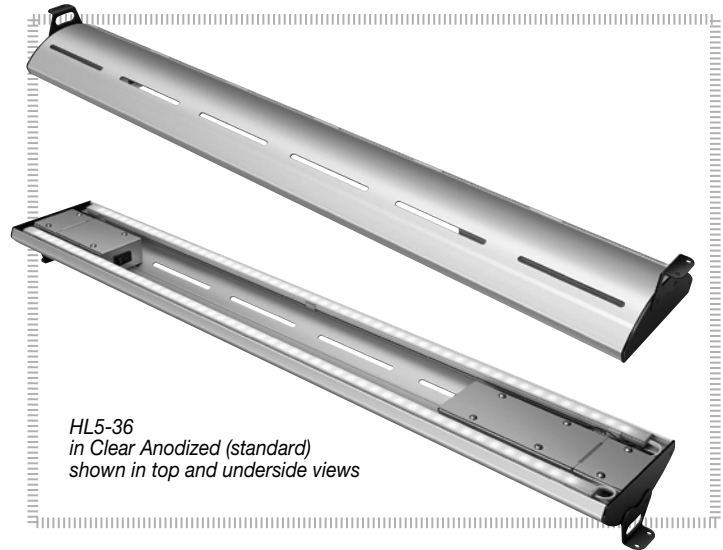
A stylish choice for illuminating your serving area. The HL5 LED Display Light offers the highest light output that is ideal for illuminating food products with either a warm white light (3050K) or a cool or neutral white light (4100K).

The sleek, curved design is patented and the LED lighting delivers significant savings with lower energy consumption and greater reliability.

Hatco provides you with a wide variety of colors and lengths for any serving area.

Standard features

- Features a patented curved housing design that has energy efficient dual LED lights across the display lamp that provide longer performance and energy savings (compared to standard incandescent bulbs)
- Lengths available from 18"-72" (457-1829 mm) in 6" (152 mm) increments
- Field replaceable dual LED lights
- Matches the Hatco line of Glo-Ray® Curved Infrared Strip Heaters for a fully integrated look
- Angle brackets and end panels (Black only) and 6" (152 mm) power leads are standard
- Optional non-adjustable tubular stands available



Options (available at time of purchase only)

LED Light

- Warm White (3050K) Cool or Neutral White (4100K)

Housing Color (Clear Anodized is standard with Black Angle Brackets and End Plates only)

Designer Color*

- Warm Red Black Gray Granite White Granite
 Navy Blue Hunter Green Antique Copper

Gloss Finish†

- Radiant Red Glossy Gray Bold Black Gleaming Gold
 Brilliant Blue

Non-Adjustable Tubular Stands (Clear Anodized is standard and require Conduit or Wire Leads)

- 10" (254 mm) 12" (305 mm) 14" (356 mm) 16" (406 mm)

Designer Color*

- Warm Red Black Gray Granite White Granite
 Navy Blue Hunter Green Antique Copper

Gloss Finish†

- Radiant Red Glossy Gray Bold Black Gleaming Gold
 Brilliant Blue

Power Lead Length (6" (152 mm) Lead Length is standard) –

- 5' (1524 mm) – includes a 3' (914 mm) conduit
 6' (1829 mm) – includes a 3' (914 mm) conduit
 7' (2134 mm) – includes a 3' (914 mm) conduit
 8' (2438 mm) – includes a 3' (914 mm) conduit
 9' (2743 mm) – includes a 3' (914 mm) conduit
 10' (3048 mm) – includes a 3' (914 mm) conduit

- 6' (1829 mm) Cord with Plug (NEMA 5-15)

*Non-standard colors are non-returnable

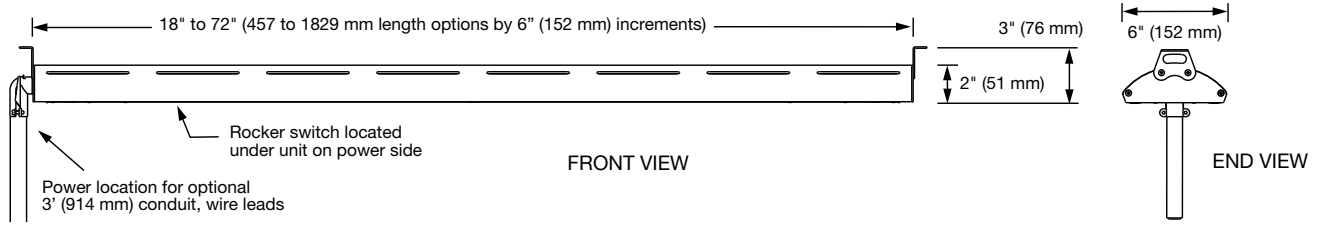




Glo-Rite® Curved Display Lights

Models: HL5-18, -24, -30, -36, -42, -48, -54, -60, -66, -72

HL5 Series



SPECIFICATIONS

Glo-Rite® Curved Display Lights

Model	Dimensions (Including Additional Height of Standard Angle Brackets) (W x D x H)	Height without Angle Brackets	Voltage	Watts	Shipping Weight*
HL5-18	18" x 6" x 3" (457 x 152 x 76 mm)	2" (51 mm)	120 (Single Phase)	4.3	9 lbs. (4 kg)
HL5-24	24" x 6" x 3" (610 x 152 x 76 mm)			5.9	10 lbs. (5 kg)
HL5-30	30" x 6" x 3" (762 x 152 x 76 mm)			7.6	11 lbs. (5 kg)
HL5-36	36" x 6" x 3" (914 x 152 x 76 mm)			9.2	12 lbs. (6 kg)
HL5-42	42" x 6" x 3" (1067 x 152 x 76 mm)			10.8	13 lbs. (6 kg)
HL5-48	48" x 6" x 3" (1219 x 152 x 76 mm)			12.4	14 lbs. (6 kg)
HL5-54	54" x 6" x 3" (1372 x 152 x 76 mm)			14	15 lbs. (7 kg)
HL5-60	60" x 6" x 3" (1524 x 152 x 76 mm)			15.7	16 lbs. (7 kg)
HL5-66	66" x 6" x 3" (1676 x 152 x 76 mm)			17.3	17 lbs. (8 kg)
HL5-72	72" x 6" x 3" (1829 x 152 x 76 mm)			18.9	18 lbs. (8 kg)

* Shipping weight includes packaging.

ROCKER SWITCH

Location: Under unit on power side.

LEADS

6" (152 mm) leads on power side.

PRODUCT SPECS

Glo-Rite® Curved Display Lights

The Curved Display Lights shall be a Glo-Rite® Model ... as manufactured by the Hatco Corporation, Milwaukee, WI 53234 U.S.A.

The HL5 Display Light shall be rated at ... watts, ... volts and be ... inches (millimeters) in overall width. It shall consist of an extruded aluminum housing with black angle

brackets, black end panels, and LED display lights.

Warranty consists of 24/7 parts and service assistance (U.S. and Canada only).

HATCO CORPORATION | P.O. Box 340500 Milwaukee, WI 53234-0500 U.S.A.
 (800) 558-0607 | (414) 671-6350 | www.hatcocorp.com | support@hatcocorp.com