



Project _____
 Item # _____
 Quantity _____

Built-In Full-Size Insulated Heated Wells — UR, C-UR Fabricator Components

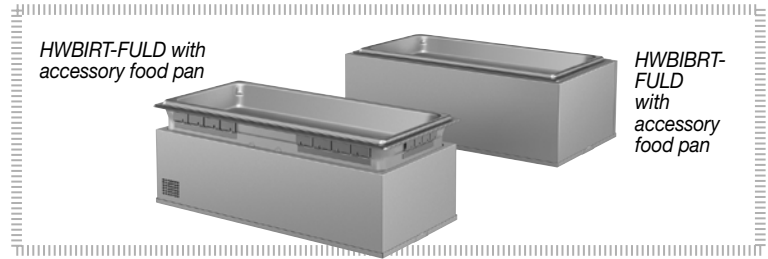
Models: HWBLIRT-FUL, -FULD
 HWBLIBRT-FUL, -FULD
 HWBIRT-FUL, -FULD
 HWBIBRT-FUL, -FULD
 HWBHIRT-FUL, -FULD
 HWBHIBRT-FUL, -FULD

Hatco's Built-In Full-Size Insulated UR and C-UR Heated Wells are recognized as having UL components that hold hot food products at safe serving temperatures, plus have the added benefit of allowing fabricators the freedom to design their own steam tables. The rugged, quality construction ensures that Hatco Heated Wells will last through the rigors of commercial use.

Standard features

- Rectangular Full-Size Insulated Heated Well in top or bottom mount
- Superior thermostat controls that read the actual temperature of the well and add heat only if needed
- Thermostatic controls available
- Without conduit and control box enclosure
- Fully insulated wells on sides and bottom ensure better heat retention, and cooler surrounding surfaces for customer safety
- Thermostatic controls feature a separate lighted ON/OFF switch and temperature dial, allowing preset temperatures to be maintained
- With or without drains
- 50% larger drain with flat screen simplifies cleaning and holds pans level
- Low (120V only), Standard and High Watt
- Thicker stainless steel construction and solid brazed joints for durability
- Easy service access to heating elements and thermostats
- Mounting kits for combustible or thicker countertops available
- EZ locking hardware for quick installation
- Accessory adapters to convert full-size wells to hold round pans

*Fabricator will need to obtain UL approvals.



Accessories

- Rectangular Full-Size Stainless Steel Food Pans:
- Third-Size (2.5" [64 mm] H)
 - Half-Size (2.5" [64 mm] H)
 - Full-Size (2.5" [64 mm] H)
 - Full-Size (4" [101 mm] H)
 - Full-Size (6" [152 mm] H)
- Round Food Pans:
- 4-Quart (4-Liter)
 - 7-Quart (7-Liter)
- Hinged Lid for Round Pans:
- 4-Quart (4-Liter)
 - 7-Quart (7-Liter)
- Notched Lid for Round Pans:
- 4-Quart (4-Liter)
 - 7-Quart (7-Liter)
- Stainless Steel Wire Trivets:
- Half-Size
 - Full-Size
- Adapter to convert warmers to hold Round Pans
- Holds three 4-Quart (4-Liter) Inserts
 - Holds two 7-Quart (7-Liter) Inserts
- Support Bars:
- 12" (305 mm)
 - 20" (508 mm)
- Mounting Kit for:
- Combustible countertops
 - Thicker countertops
 - ¾" Ball Valve for unit with Drains
 - ¾" Gate Valve for unit with Drains
 - Heated Well Remote Handle for ¾" Drains (requires a Ball or Gate Valve)



HATCO CORPORATION | P.O. Box 340500 Milwaukee, WI 53234-0500 U.S.A.
 (800) 558-0607 | (414) 671-6350 | www.hatcocorp.com | support@hatcocorp.com



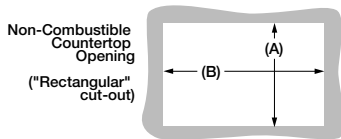
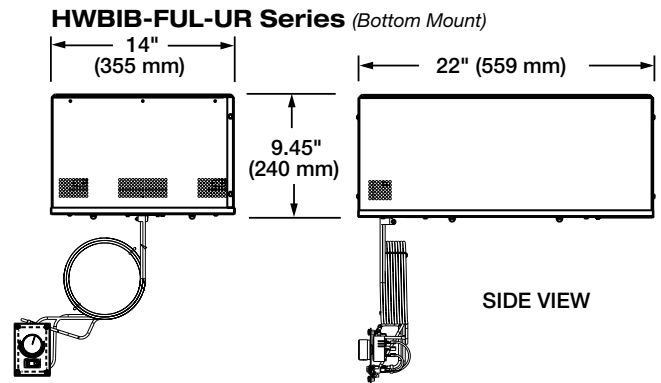
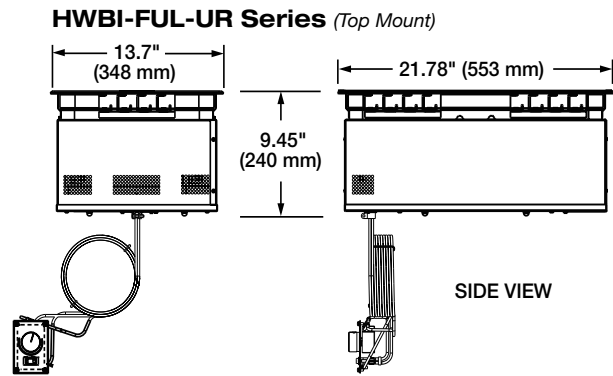
Built-In Full-Size Insulated Heated Wells — UR, C-UR Fabricator Components

Models: HWBLIRT-FUL, -FULD, HWBLIBRT-FUL, -FULD, HWBIRT-FUL, -FULD, HWBIBRT-FUL, -FULD, HWBHIRT-FUL, -FULD, HWBHIBRT-FUL, -FULD

Ordering Instructions

(Please specify the following with each order)

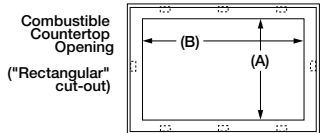
1. **Desired Voltage:** 120, 208 or 240V
(export voltage available)
2. **Base Size of Heated Well:**
Rectangular: Full (12" x 20" [305 x 508 mm])
3. **Drain** (With or without)
4. **Mounting Style**
A. Top Mounted
B. Bottom Mounted
5. **Wattage**
A. High Watt
B. Standard Watt
C. Low Watt (120V only)
6. **Agency:**
A. UR and C-UR (UL recognized – conduit and control enclosures not included). Fabricators will need to obtain approvals



Cutout Dimensions for Non-Combustible Countertops

Model	Minimum Width (A)	Maximum Width (A)	Minimum Depth (B)	Maximum Depth (B)
HWBI-FUL, -FULD Series	12.75" (324 mm)	12.94" (328 mm)	20.75" (528 mm)	20.94" (531 mm)
HWBIB-FUL, -FULD▼	12.03" (306 mm)	12.03" (306 mm)	20.03" (509 mm)	20.03" (509 mm)

▼ Must be flanged

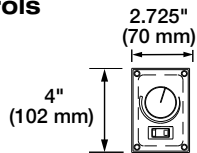


Cutout Dimensions for Combustible Countertops ▲

Model	Minimum Width (A)	Maximum Width (A)	Minimum Depth (B)	Maximum Depth (B)
HWBI-FUL, -FULD Series	14" (356 mm)	14.25" (362 mm)	22" (559 mm)	22.25" (565 mm)

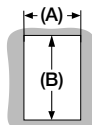
▲ Accessory Mounting Kit required for Top Mounts

Controls



Thermostatic
(On/Off Lit Rocker Switch)

Control Box Opening



Cutout Dimensions for Control Box

Control Box	Minimum Width (A)	Maximum Height (B)
T-Stat Control	2.125" (54 mm)	3.375" (86 mm)

HATCO CORPORATION | P.O. Box 340500 Milwaukee, WI 53234-0500 U.S.A.
(800) 558-0607 | (414) 671-6350 | www.hatcocorp.com | support@hatcocorp.com



Built-In Full-Size Insulated Heated Wells — UR, C-UR Fabricator Components

Models: HWBLIRT-FUL, -FULD, HWBLIBRT-FUL, -FULD, HWBIRT-FUL, -FULD, HWBIBRT-FUL, -FULD, HWBHIRT-FUL, -FULD, HWBHIBRT-FUL, -FULD

■ The shaded areas contain electrical information for International models only
 † Only control for optional HWBI-Cord is the Thermostatic without a bezel

Full-Size Rectangular Insulated Models — UR, C-UR Fabricator Components

	Model*	Dimensions (Width x Depth x Height)	Volts* (Single Phase)	Watts	Amps	Ship Weight
Low Watt	HWBLIRT-FUL HWBLIRT-FULD (Top or Bottom Mount)	13.7" x 21.78" x 9.45" (348 x 553 x 240 mm)	120	750	6.3	27 lbs. (12 kg) 19 lbs. (9 kg)
	HWBLIBRT-FUL HWBLIBRT-FULD (Bottom Mount)	14" x 22" x 9.45" (355 x 559 x 240)				28 lbs. (13 kg) 26 lbs. (12 kg)
Standard Watt	HWBIRT-FUL HWBIRT-FULD (Top or Bottom Mount)	13.7" x 21.78" x 9.45" (348 x 553 x 240 mm)	120	1200	10.0	24 lbs. (11 kg) 26 lbs. (12 kg)
			208		5.8	
			240		5.0	
			220	1200	5.5	
			240		5.0	
	HWBIBRT-FUL HWBIBRT-FULD (Bottom Mount)	14" x 22" x 9.45" (355 x 559 x 240)	120	1200	10.0	27 lbs. (12 kg) 26 lbs. (12 kg)
			208		5.8	
			240		5.0	
			220	1200	5.5	
			240		5.0	
High Watt	HWBHIRT-FUL HWBHIRT-FULD (Top or Bottom Mount)	13.7" x 21.78" x 9.45" (348 x 553 x 240 mm)	120	1650	13.8	26 lbs. (12 kg) 28 lbs. (13 kg)
			208		7.9	
			240		6.9	
			220	1650	7.5	
			240		6.9	
	HWBHIBRT-FUL HWBHIBRT-FULD (Bottom Mount)	14" x 22" x 9.45" (355 x 559 x 240)	120	1650	13.8	29 lbs. (13 kg) 28 lbs. (13 kg)
			208		7.9	
			240		6.9	
			220	1650	7.5	
			240		6.9	

- * "RT" added to model name indicates unit with thermostat control, lit rocker switch and 36" (914 mm) or 72" (1829 mm) capillary.
- CE Mark not available.

PRODUCT SPECS Built-In Full-Size Insulated Heated Wells

The Built-In Rectangular Insulated Heated Well – UR, C-UR Fabricator Components shall be a Modelas manufactured by the Hatco Corporation, Milwaukee, WI 53234 U.S.A.

The Built-In Insulated Heated Well shall be rated atwatts,volts, and beinches (millimeters) in overall width and beinches (millimeters) in overall depth. It shall consist of stainless and aluminized steel housing with a metal sheathed

heating element, EZ locking hardware for installation, and a remote thermostat with lighted power switch. Models with a drain consist of a 3/4" NPT drain.

Warranty consists of 24/7 parts and service assistance (US and Canada only).

HATCO CORPORATION | P.O. Box 340500 Milwaukee, WI 53234-0500 U.S.A.
 (800) 558-0607 | (414) 671-6350 | www.hatcocorp.com | support@hatcocorp.com