



Project _____
 Item # _____
 Quantity _____

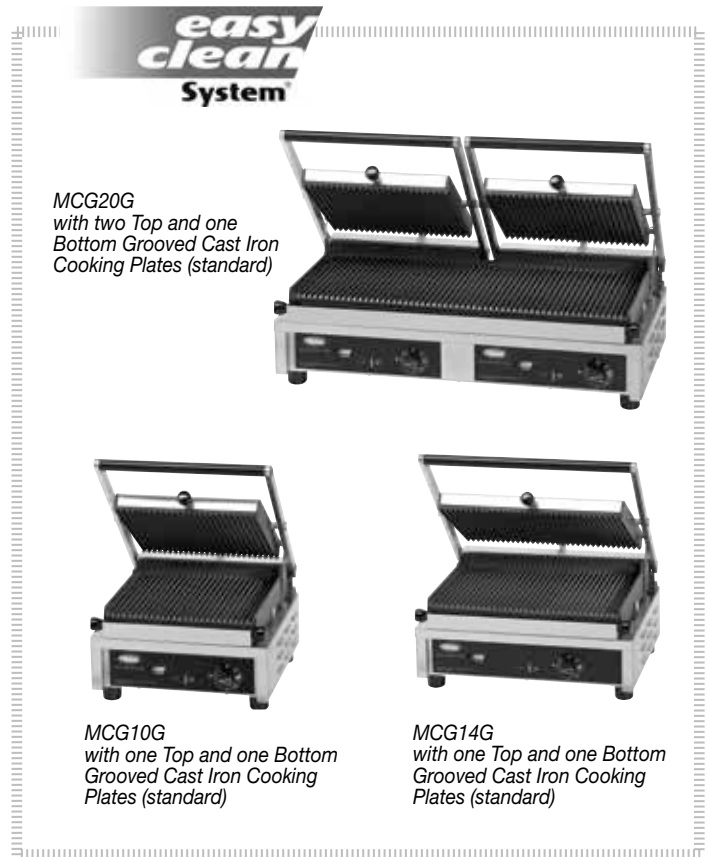
Multi Contact Grills

Models: MCG10G, MCG14G, MCG20G
 MCG10S, MCG14S, MCG20S
 MCG10GS, MCG14GS, MCG20GS

Hatco Corporation introduces the Multi Contact Grill as a new addition to our light cooking line of equipment that gives you the flexibility to grill paninis, sandwiches with breads of different sizes and thickness, snacks, vegetables, meats, quesadillas, fish, and hamburgers, to name a few, all on the same piece of equipment!

Standard features

- Patented Heating Element Pack provides exceptional heat distribution over the entire surface of the plates for even, uniform cooking
- Easy Clean System® for quick, efficient cleaning
- Thermostatic control from 120°F to 570°F (50°C to 300°C) for precision cooking
- Dishwasher-safe, enamel-coated cast iron Grooved Top and Bottom Plate are standard
- Grooved Plates are interchangeable with the Smooth Plates
- 6' (1829 mm) cord with plug attached
- Cord location is under base at center of unit
- Stainless Steel frame
- Removable drip tray with handles



Accessories

- Smooth Top Enamel Coated Cast Iron Cooking Plate
- ST-S for MCG10xx models only
 - ST-M for MCG14xx models only
 - ST-LL for MCG20xx models only Left Side
 - ST-LR for MCG20xx models only Right Side
- Smooth Bottom Enamel Coated Cast Iron Cooking Plate
- SB-S for MCG10xx models only
 - SB-M for MCG14xx models only
 - SB-L for MCG20xx models only
- Grooved Top Enamel-Coated Cast Iron Cooking Plate
- GT-S for MCG10xx models only
 - GT-M for MCG14xx models only
 - GT-LL for MCG20xx models only Left Side
 - GT-LR for MCG20xx models only Right Side
- Grooved Bottom Enamel-Coated Cast Iron Cooking Plate
- GB-S for MCG10xx models only
 - GB-M for MCG14xx models only
 - GB-L for MCG20xx models only

For operation, location and safety information, please refer to the Installation & Operating Manual.



120V, NEMA 5-15P
 models are US only

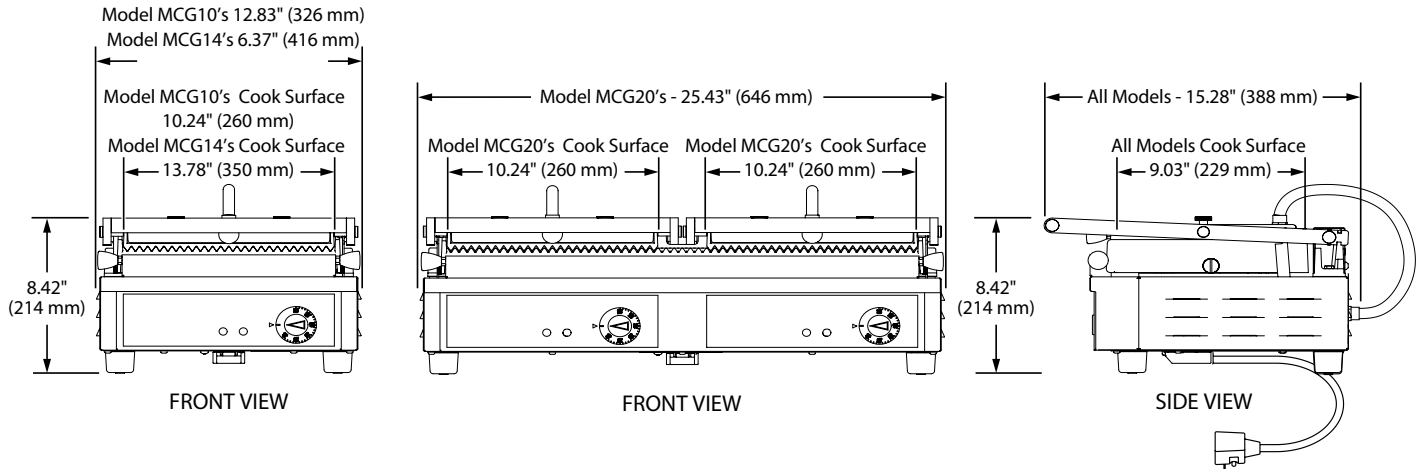
HATCO CORPORATION | P.O. Box 340500 Milwaukee, WI 53234-0500 U.S.A.
 (800) 558-0607 | (414) 671-6350 | www.hatcocorp.com | support@hatcocorp.com



Multi Contact Grills

Models: MCG10G, MCG14G, MCG20G, MCG10S, MCG14S, MCG20S,
MCG10GS, MCG14GS, MCG20GS

MCG Models



SPECIFICATIONS

Top Grooved, Bottom Grooved (Plates) - Multi Contact Grills

Model	Item No.	Dimensions (Width x Depth x Height)	Max. Product Thickness	Voltage	Phase	Watts	Amps	Plug	Ship Weight*
MCG10G	MCG10G.515P	12.83" x 15.28" x 8.42" (326 x 388 x 214 mm)	2.75" (70 mm)	120	Single	1800	15.0	NEMA 5-15P*	47 lbs. (21 kg)
	MCG10G.520P							NEMA 5-20P	
MCG14G	MCG14G.515P	16.37" x 15.28" x 8.42" (416 x 388 x 214 mm)	2.75" (70 mm)	120	Single	1800	15.0	NEMA 5-15P*	62 lbs. (28 kg)
	MCG14G.520P							NEMA 5-20P	
	MCG14G.615P.01			208 [Ⓢ]		1950	9.4	NEMA 6-15P	
	MCG14G.615P.01			240 [Ⓢ]		2600	10.8		
MCG20G	MCG20G.620P	25.43" x 15.28" x 8.42" (646 x 388 x 214 mm)	2.75" (70 mm)	208 [Ⓢ]	Single	2820	13.6	NEMA 6-20P	93 lbs. (42 kg)
				240 [Ⓢ]		3760	15.7		

SPECIFICATIONS

Top Smooth, Bottom Smooth (Plates) - Multi Contact Grills

Model	Item No.	Dimensions (Width x Depth x Height)	Max. Product Thickness	Voltage	Phase	Watts	Amps	Plug	Ship Weight*
MCG10S	MCG10S.515P	12.83" x 15.28" x 8.42" (326 x 388 x 214 mm)	2.75" (70 mm)	120	Single	1800	15.0	NEMA 5-15P*	47 lbs. (21 kg)
	MCG10S.520P							NEMA 5-20P	
MCG14S	MCG14S.515P	16.37" x 15.28" x 8.42" (416 x 388 x 214 mm)	2.75" (70 mm)	120	Single	1800	15.0	NEMA 5-15P*	62 lbs. (28 kg)
	MCG14S.520P							NEMA 5-20P	
	MCG14S.615P.01			208 [Ⓢ]		1950	9.4	NEMA 6-15P	
	MCG14S.615P.01			240 [Ⓢ]		2600	10.8		
MCG20S	MCG20S.620P	25.43" x 15.28" x 8.42" (646 x 388 x 214 mm)	2.75" (70 mm)	208 [Ⓢ]	Single	2820	13.6	NEMA 6-20P	93 lbs. (42 kg)
				240 [Ⓢ]		3760	15.7		

* Shipping weight includes packaging.

* Not available for Canada.

Ⓢ Unit is designed to operate on supply voltages between 208V and 240V.



Multi Contact Grills

Models: MCG10G, MCG14G, MCG20G, MCG10S, MCG14S, MCG20S,
MCG10GS, MCG14GS, MCG20GS

SPECIFICATIONS

Top Grooved, Bottom Smooth (Plates) - Multi Contact Grills

Model	Item No.	Dimensions (Width x Depth x Height)	Max. Product Thickness	Voltage	Phase	Watts	Amps	Plug	Ship Weight*
MCG10GS	MCG10GS.515P	12.83" x 15.28" x 8.42" (326 x 388 x 214 mm)	2.75" (70 mm)	120	Single	1800	15.0	NEMA 5-15P*	47 lbs. (21 kg)
	MCG10GS.520P							NEMA 5-20P	
MCG14GS	MCG14GS.515P	16.37" x 15.28" x 8.42" (416 x 388 x 214 mm)	2.75" (70 mm)	120	Single	1800	15.0	NEMA 5-15P*	62 lbs. (28 kg)
	MCG14GS.520P							NEMA 5-20P	
	MCG14GS.615P.01			208 [Ⓞ]		1950	9.4	NEMA 6-15P	
	MCG14GS.615P.01			240 [Ⓞ]		2600	10.8		
MCG20GS	MCG20GS.620P	25.43" x 15.28" x 8.42" (646 x 388 x 214 mm)	2.75" (70 mm)	208 [Ⓞ]	Single	2820	13.6	NEMA 6-20P	93 lbs. (42 kg)
				240 [Ⓞ]		3760	15.7		

* Shipping weight includes packaging.

* Not available for Canada.

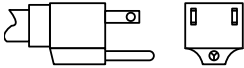
Ⓞ Unit is designed to operate on supply voltages between 208V and 240V.

CORD LOCATION

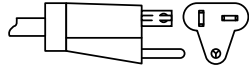
Under base at center of unit.

PLUG CONFIGURATIONS

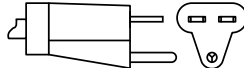
NEMA 5-15P



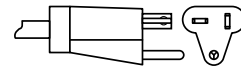
NEMA 5-20P



NEMA 6-15P



NEMA 6-20P



PRODUCT SPECS

Multi Contact Grills

The Multi Contact Grill shall be a Model ... as distributed by the Hatco Corporation, Milwaukee, WI 53234 U.S.A.

The Multi Contact Grill shall be rated at ... watts, ... volts, and ... inches (millimeters) in overall width. It shall have a grooved top and bottom enamel coated cast iron cooking plate, thermostatically-controlled with a temperature indicator light and power

light, patented Heating Element Pack for even heat distribution, removable drip tray with handles, Easy Clean System[®] and a 6' (1829 mm) cord with plug attached.

Accessories shall include smooth top and bottom enamel coated cast iron cooking plate for each unit size.

Warranty consists of 24/7 parts and service assistance (U.S. and Canada only).

HATCO CORPORATION | P.O. Box 340500 Milwaukee, WI 53234-0500 U.S.A.
(800) 558-0607 | (414) 671-6350 | www.hatcocorp.com | support@hatcocorp.com