



There's only one #1™

Project _____

Item # _____

Quantity _____

Toast-Qwik® Electric Conveyor Toasters

Models: TQ3-400,
TQ3-500, -500H,
TQ3-900, -900H,
TQ3-2000, -2000H

Hatco's industry-leading Toast-Qwik® Conveyor Toasters have been completely redesigned to provide a great new look, easy to use touchscreen controller and increased production capabilities. They continue to provide the best reliability, flexibility and value of any conveyor toaster available!

Standard features

- Model number indicates approximate hourly slice capacity
- Dynamic new touchscreen controller that is easy to see and easier to use
- Up to twelve programmable settings for precise and instant product changes
- USB port for software updates
- Patented ColorGuard Sensing System which monitors chamber temperature and adjusts conveyor speed to ensure consistent toast results - even in your busiest periods
- Programmable Power Save mode activates manually or automatically
- Crumb tray is removable for easy cleaning
- Unique new toast delivery rack moves your product to the storage tray each and every time (TQ3-400 comes with a loose aluminum toast storage tray)
- 2" high opening is standard - 3" high opening available on the TQ3-500H, -900H and -2000H models for thicker bread products



Options (available at time of purchase only)

Designer Colors

Non-standard colors are non-returnable – Designer Black standard

Warm Red Stainless Steel

NEMA 6-30P cord in lieu of standard cord (TQ3-500 and -900 series only)

Stainless Steel toast tray insert (TQ3-500 and -900 series only)

Extended feed ramp adds 3" (76 mm) (excluded TQ3-400 series)

**For operation, location and safety information,
please refer to the Installation & Operating Manual.**



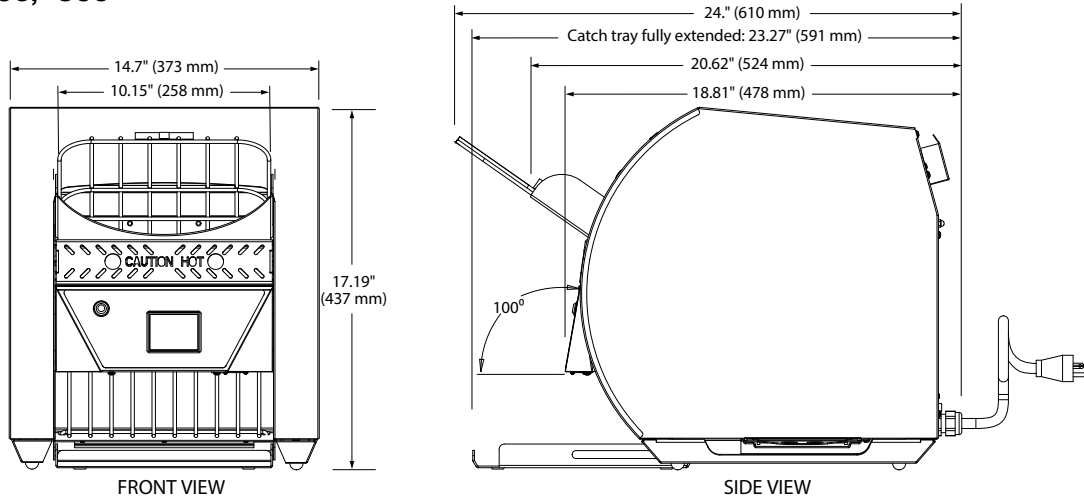
HATCO CORPORATION | P.O. Box 340500 Milwaukee, WI 53234-0500 U.S.A.
(800) 558-0607 | (414) 671-6350 | www.hatcocorp.com | support@hatcocorp.com



Toast-Qwik® Electric Conveyor Toasters

Models: TQ3-400, -500, -500H, -900, -900H, -2000, -2000H

TQ3-400, -500, -900



SPECIFICATIONS Toast-Qwik® Conveyor Toasters

The shaded areas contain electrical information for International models

| Model | Opening Dimensions (W x H) | Dimensions (W x D* x H) | Volts Single Phase | Hertz | Watts | Amps | Plug | Ship Weight* |
|----------|------------------------------|---|--------------------|-------|-----------|-----------|-----------------------------|-----------------|
| TQ3-400 | 10.15" x 2" (258 x 51 mm) | 14.7" x 20.62" x 17.13" (373 x 524 x 435 mm) | 120 | 50/60 | 1780 | 14.8 | NEMA 5-15P* | 54 lbs. (25 kg) |
| TQ3-500 | 10.15" x 2" (258 x 51 mm) | 14.7" x 20.62" x 17.13" (373 x 524 x 435 mm) | 200 | 50/60 | 2053 | 10.3 | PSE | 54 lbs. (25 kg) |
| | | | 208 | 50-60 | 2220 | 10.7 | NEMA 6-15P, NEMA 6-30P | |
| | | | 220 | 60 | 2031 | 9.2 | BS-1363 | |
| | | | 220-230 | 50/60 | 2031-2220 | 9.2-9.7 | Schuko 7/7, BS-1363 | |
| | | | 230-240 | 50/60 | 2039-2220 | 8.9-9.3 | BS-1363, AS-3112 or No Plug | |
| TQ3-500H | 10.15" x 3" (258 x 76 mm) | 14.7" x 20.62" x 17.13" (373 x 524 x 435 mm) | 200 | 50/60 | 2053 | 10.3 | PSE | 54 lbs. (25 kg) |
| | | | 208 | 50-60 | 2220 | 10.7 | NEMA 6-15P, NEMA 6-30P | |
| | | | 220 | 60 | 2031 | 9.2 | BS-1363 | |
| | | | 220-230 | 50/60 | 2031-2220 | 9.2-9.7 | Schuko 7/7, BS-13632 | |
| | | | 230-240 | 50/60 | 2039-2220 | 8.9-9.3 | BS-1363, AS-3112 or No Plug | |
| TQ3-900 | 10.15" x 2" (258 x 51 mm) | 14.7" x 20.62" x 17.13" (373 x 524 x 435 mm) | 200 | 50/60 | 2792 | 14.0 | No Plug | 54 lbs. (25 kg) |
| | | | 208 | 50-60 | 3020 | 14.5 | NEMA 6-20P, NEMA 6-30P | |
| | | | 220 | 60 | 2763 | 12.6 | BS-1363 | |
| | | | 220-230 | 50/60 | 2763-3020 | 12.6-13.1 | No Plug, Schuko 7/7 | |
| | | | 230-240 | 50/60 | 2774-3020 | 12.1-12.6 | BS-1363, AS-3112 or No Plug | |
| TQ3-900H | 10.15" x 3" (258 x 76 mm) | 14.7" x 20.62" x 17.13" (373 x 524 x 435 mm) | 200 | 50/60 | 2792 | 14.0 | No Plug | 54 lbs. (25 kg) |
| | | | 208 | 50-60 | 3020 | 14.5 | NEMA 6-20P, NEMA 6-30P | |
| | | | 220 | 60 | 2763 | 12.6 | BS-1363 | |
| | | | 220-230 | 50/60 | 2763-3020 | 12.6-13.1 | No Plug, Schuko 7/7 | |
| | | | 230-240 | 50/60 | 2774-3020 | 12.1-12.6 | BS-1363, AS-3112 or No Plug | |
| TQ3-900H | 10.15" x 3" (258 x 76 mm) | 14.7" x 20.62" x 17.13" (373 x 524 x 435 mm) | 240 | 50-60 | 3020 | 12.6 | NEMA 6-20P, NEMA 6-30P | 54 lbs. (25 kg) |

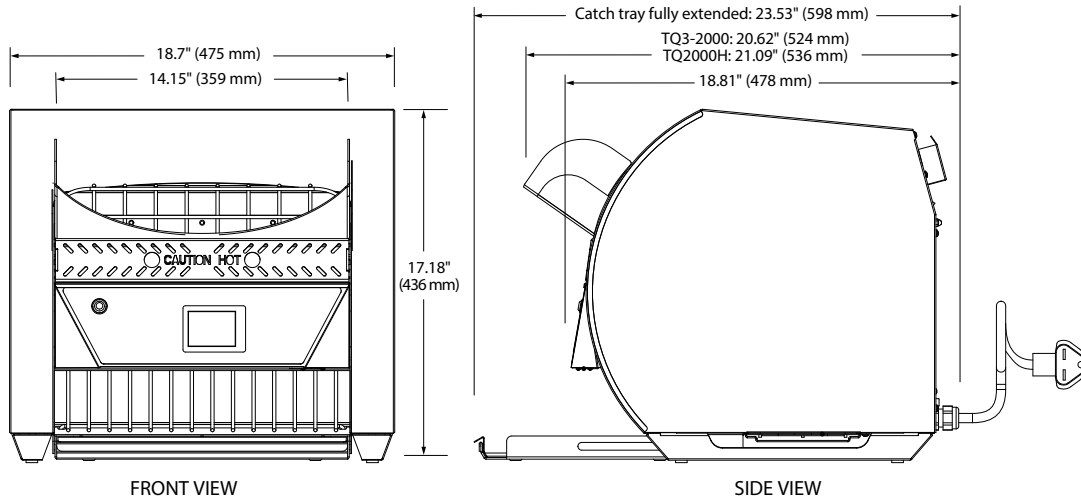
* Tray extends to 23.27" (591 mm).
 * Shipping weight includes packaging.
 • Canadian models use NEMA 5-20P.



Toast-Qwik® Electric Conveyor Toasters

Models: TQ3-400, -500, -500H, -900, -900H, -2000, -2000H

TQ3-2000



SPECIFICATIONS Toast-Qwik® Conveyor Toasters

The shaded areas contain electrical information for International models

| Model | Opening Dimensions (W x H) | Dimensions (W x D* x H) | Volts Single Phase | Hertz | Watts | Amps | Plug | Ship Weight* |
|-----------|----------------------------|---|--------------------|-------|-----------|-----------|----------------|-----------------|
| TQ3-2000 | 14.15" x 2" (359 x 51 mm) | 18.70" x 20.62" x 17.18" (475 x 524 x 436 mm) | 200 | 50/60 | 3717 | 18.6 | PSE or No Plug | 67 lbs. (30 kg) |
| | | | 208 | 50-60 | 4020 | 19.3 | NEMA 6-30P | |
| | | | 220 | 60 | 3678 | 16.7 | No Plug | |
| | | | 220-230 | 50/60 | 3678-4020 | 16.7-17.5 | No Plug | |
| | | | 230-240 | 50/60 | 3692-4020 | 16.1/16.8 | No Plug | |
| | | | 240 | 50-60 | 4020 | 16.8 | NEMA 6-30P | |
| TQ3-2000H | 14.15" x 3" (359 x 76 mm) | 18.70" x 21.09" x 17.18" (475 x 536 x 436 mm) | 200 | 50/60 | 3717 | 18.6 | PSE or No Plug | 67 lbs. (30 kg) |
| | | | 208 | 50-60 | 4020 | 19.3 | NEMA 6-30P | |
| | | | 220 | 60 | 3678 | 16.7 | No Plug | |
| | | | 220-230 | 50/60 | 3678-4020 | 16.7-17.5 | No Plug | |
| | | | 230-240 | 50/60 | 3692-4020 | 16.1/16.8 | No Plug | |
| | | | 240 | 50-60 | 4020 | 16.8 | NEMA 6-30P | |

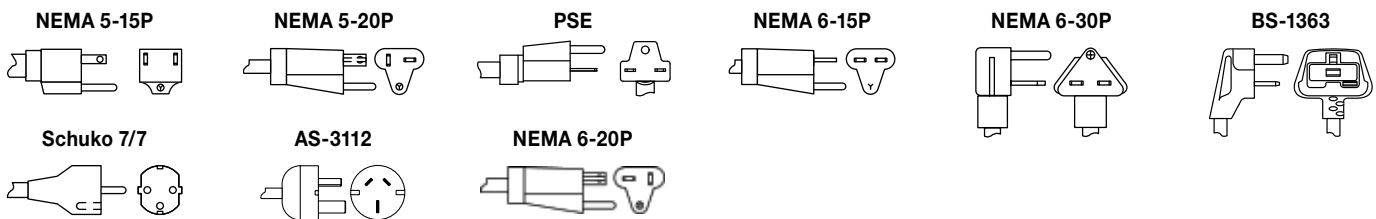
* Tray extends to 23.27" (591 mm).

* Shipping weight includes packaging.

CORD LOCATION

Lower right corner on back of unit.

PLUG CONFIGURATIONS



PRODUCT SPECS Conveyor Toasters

The electric Toast-Qwik® Conveyor Toaster with ColorGuard sensing system shall be a Hatco model ... as manufactured by the Hatco Corporation, Milwaukee, WI 53234 U.S.A.

The Toaster shall have the capacity to toast up to ... pieces per hour and it shall be rated at ... kW, ... volts, single phase. The toaster shall be of Powdercoated or stainless steel design and shall include a front mounted control panel with a touch

screen controller, USB port, a removable/cleanable cooling fan filter, variable speed control and programmable power save mode. The toaster will have metal sheathed heating elements and factory attached UL listed cord and plug.

Warranty consists of 24/7 parts and service assistance (US and Canada only).

HATCO CORPORATION | P.O. Box 340500 Milwaukee, WI 53234-0500 U.S.A.
(800) 558-0607 | (414) 671-6350 | www.hatcocorp.com | support@hatcocorp.com