

Scotsman®

FME2404RLS - 2400lb Remote Low Side Flake Ice Machine

Flake Ice Machine with *AutoSentry™*



Features and Benefits

- AutoSentry™ Monitoring System constantly checks workload on gearbox shutting down system before a problem develops preventing costly repairs.
- Electrical conductivity water sensor eliminates low or no water failures and cannot be affected by adverse water conditions.
- Plastic drain pan with larger outlet provides greater ability to quickly channel water away preventing particle build-up and rust.
- Rust and restriction free drain system features one-piece plastic drain tubes with larger ID for obstruction-free water flow.
- Durable, high grade stainless steel construction with massive, self-aligning spherical roller bearings; patented double-flight auger that evenly distributes the load; and heavy duty direct drive gearbox for high reliability and long life.
- Industry leading 3 year parts and labor warranty.



24 Hour Volume Production

Remote Cooled

70°F/21°C	Air	90°F/32°C
50°F/10°C	Water	70°F/21°C
2365/1072		2000/907
lb/kg		lb/kg



Modular Bin Options



B948S



BH1300BB
BH1300SS

Model Number*	Dimensions W" x D" x H"	Bin Application		Ship Weight lb/kg
		Capacity lb/kg	Finish	
B842S	42 x 34 x 44**	778/353	Stainless Steel	190/86
B948S	48 x 34 x 44**	893/406	Stainless Steel	209/95
BH1100BB	48 x 34 x 50**	1100/499	SS w/GBB†	280/127
BH1100SS	48 x 34 x 50**	1100/499	Stainless Steel	280/127
BH1300BB	60 x 34 x 50**	1400/635	SS w/GBB†	310/140
BH1300SS	60 x 34 x 50**	1400/635	Stainless Steel	310/140
BH1600BB	60 x 34 x 62**	1755/796	SS w/GBB†	370/168
BH1600SS	60 x 34 x 62**	1755/796	Stainless Steel	370/168

* See price list for Bin Top. ** Add 6" Height for bin legs.
† Stainless steel with galvanized back & bottom.



Flake Ice



Cools more quickly than other ice forms. Ideal for seafood and produce displays.



Certification

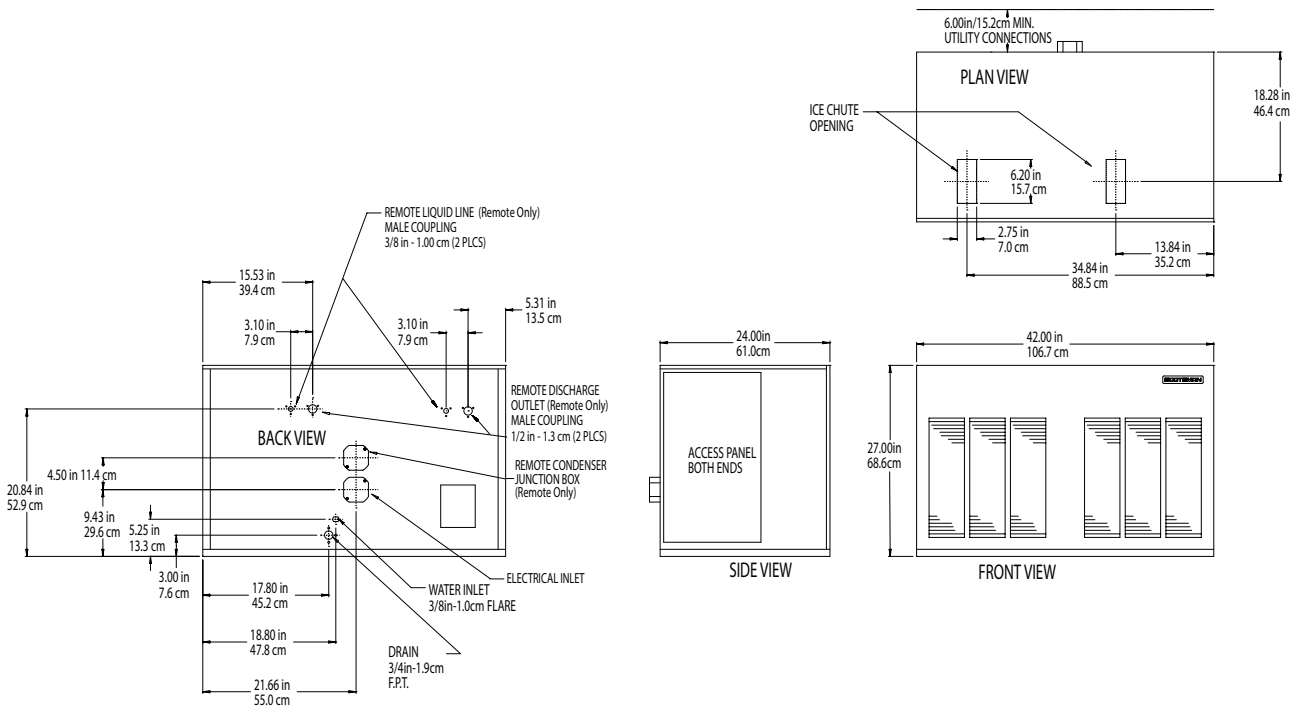


Warranty

- 3 years parts and labor on all components.
- 5 years parts on the compressor.
- Warranty valid in North, South & Central America for commercial installations.
- Contact factory for warranty in other regions.
- Residential Applications: 1 year parts and labor

FME2404RLS - 2400lb Remote Low Side Flake Ice Machine

Scotsman®



Specifications

Model Number	Condenser Unit	Basic Electrical Volts/Hz/Phase	Max. Fuse Size or HACR Circuit Breaker (amps)	Circuit Wires	Min. Circuit Ampacity	Water Usage Gallons/100 lb (liters/45.4 kg)	
						Potable 90°F(32°C)/70°F(21°C)	Condenser
FME2404RLS-32	Remote*	208-230/60/1	15	2	4.5	12.0/45.5	-

*Ice machine head does not include condensing unit. Must be purchased separately or used on a rack system.



All Models

Dimensions (W x D x H):

Unit: 42" x 24" x 27"
(106.7 x 61.0 x 68.6 cm)

Shipping Carton: 45.5" x 27.5" x 32"
(115.6 x 69.85 x 81.3 cm)

Shipping Weight: 255lb / 115kg

BTUs per hour: 12,000

Refrigerant: R-404A



Operating Requirements

	Minimum	Maximum
Air Temperatures	50°F (10°C)	100°F (38°C)
Water Temperatures	40°F (4.4°C)	100°F (38°C)
Remote Cond. Temps	-20°F (-29°C)	120°F (49°C)
Water Pressures	20 PSIG (1.4 bar)	120 PSIG (5 bar)
Electrical Voltage	-5%	+10%

Specifications and design are subject to change without notice.

Scotsman recommends all ice machines have water filtration. See Scotsman water filter specification sheet for details.