

# MB MASTER-BILT<sup>®</sup>

## FUSION<sup>™</sup> SERIES

ITEM NO. \_\_\_\_\_  
 PROJECT \_\_\_\_\_  
 LOCATION \_\_\_\_\_  
 DATE \_\_\_\_\_ QTY. \_\_\_\_\_



MBR/MBF49-SH



(Excluding MBF23-SH)



## MBR/MBF-SH SERIES

### Bottom Mounted Solid Half-Door Reach-Ins

#### REFRIGERATORS

- MBR23-SH
- MBR49-SH
- MBR72-SH

#### FREEZERS

- MBF23-SH
- MBF49-SH
- MBF72-SH

### FEATURES

#### CONSTRUCTION

- Curved corner design creates a stylish appearance and reduces chances of injury in slip-and-fall accidents
- Stainless steel exterior on front, sides and doors
- Exterior top, bottom and back are galvanized steel
- Interior liner and door panel are stainless steel
- Foamed-in-place with low ODP polyurethane insulation
- Standard electronic controller with these features:
  - Digitally displays inside temperature in either °F or °C
  - Allows user to monitor and adjust temperature set point within normal temperature range
  - Visual and audible door open alarm
  - Clean condenser alarm (displays “CL” every 6 months)
  - Decreases service time and calls
- Wall thickness:
  - Sides ..... 1<sup>7</sup>/<sub>8</sub>"
  - Top and back.....2"
  - Bottom .....2<sup>3</sup>/<sub>8</sub>"
- 4" diameter casters

- Four casters on one- and two-section models and six on three-section models (two casters on each model are locking type)
- Four adjustable heavy-duty shelves per section

#### DOORS

- Heavy-duty pull handles
- Self-closing at 96°
- Hold open feature at 110°
- Individual door locks
- Self-adjusting magnetic gaskets
- Interior compact fluorescent light activated by switch for each upper door
- Anti-condensate heater wires on door openings
- Standard door swing configuration:
  - MBR/MBF23-SH ..... hinged right
  - MBR/MBF49-SH..... left doors hinged left, right doors hinged right
  - MBR/MBF72-SH..... left doors hinged left, middle doors hinged right, right doors hinged right
- Door width:
  - MBR/MBF23-SH..... 27<sup>1</sup>/<sub>4</sub>"
  - MBR/MBF49-SH..... 25<sup>1</sup>/<sub>2</sub>"
  - MBR/MBF72-SH..... 25<sup>1</sup>/<sub>2</sub>"

#### REFRIGERATION

- Self-contained bottom mount refrigeration system
- Capillary tube controls refrigerant flow
- Automatic defrost
- Fabric condensation kit uses wicks to draw condensate from the drain pan for faster removal
- Refrigerant:
  - MBR23-SH & MBR49-SH ..... R-134a
  - MBR72-SH.....R-404A
  - All MBF-SH model freezers..R-404A
- Temperature range:
  - Refrigerators.....32° to 40°F (0° to 4° C)
  - Freezers ...-22° to 8°F (-30° to -13°C)

#### WARRANTY

- **Standard limited three year parts and labor**
- **Additional two year coverage on compressor part**

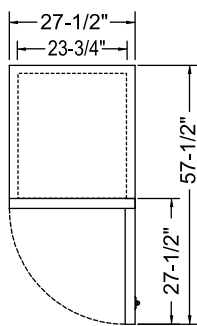
#### OPTIONS

- Extra wire shelves
- 6" adjustable feet
- Pan rack

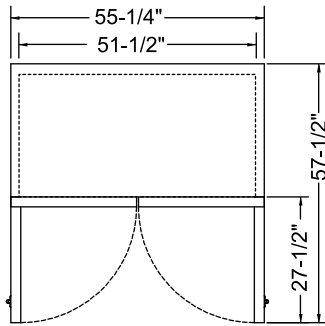
### TECHNICAL SPECIFICATIONS

MODEL	DIMENSIONS (in.)			DIMENSIONS (mm)			VOLTS	AMPS	UNIT H.P.	NO. OF DOORS	NO. OF SHELVES	STANDARD SHELF SIZE (in inches)	CAP. CU. FT.	SHIP CU. FT.	SHIP WT. (LB/KG)
	L	D*	H*	L	D*	H*									
<b>REFRIGERATORS</b>															
MBR23-SH	27 <sup>1</sup> / <sub>2</sub>	33	83 <sup>3</sup> / <sub>4</sub>	699	838	2127	115	7.5	1/3	2	4	22 <sup>3</sup> / <sub>4</sub> x 22 <sup>7</sup> / <sub>8</sub>	23.0	46.1	302/137
MBR49-SH	55 <sup>1</sup> / <sub>4</sub>	33	83 <sup>3</sup> / <sub>4</sub>	1403	838	2127	115	7.5	1/3	4	8	22 <sup>3</sup> / <sub>4</sub> x 24 <sup>7</sup> / <sub>8</sub>	49.0	88.5	473/215
MBR72-SH	78	33	83 <sup>3</sup> / <sub>4</sub>	1981	838	2127	115	10.0	3/5	6	12	**	72.0	124.1	646/294
<b>FREEZERS</b>															
MBF23-SH	27 <sup>1</sup> / <sub>2</sub>	33	83 <sup>3</sup> / <sub>4</sub>	699	838	2127	115	8.5	3/5	2	4	22 <sup>3</sup> / <sub>4</sub> x 22 <sup>7</sup> / <sub>8</sub>	23.0	46.1	302/137
MBF49-SH	55 <sup>1</sup> / <sub>4</sub>	33	83 <sup>3</sup> / <sub>4</sub>	1403	838	2127	115	10.5	4/5	4	8	22 <sup>3</sup> / <sub>4</sub> x 24 <sup>7</sup> / <sub>8</sub>	49.0	88.5	473/215
MBF72-SH	78	33	83 <sup>3</sup> / <sub>4</sub>	1981	838	2127	115	12.0	1	6	12	**	72.0	124.1	646/294

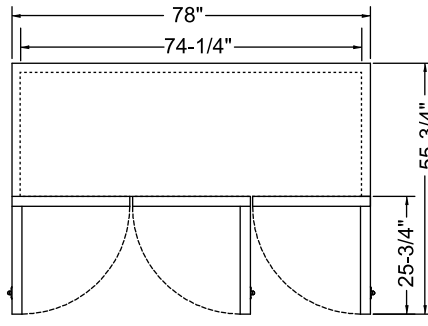
\*Depth includes door handle, height includes casters. \*\*LH & RH shelf for 3 section models is 22<sup>3</sup>/<sub>4</sub>" x 22<sup>7</sup>/<sub>8</sub>", center shelf is 22<sup>3</sup>/<sub>4</sub>" x 25<sup>3</sup>/<sub>4</sub>".



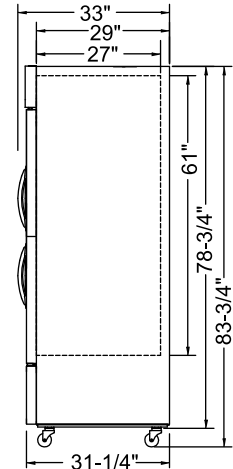
MBR/MBF23-SH  
PLAN VIEW



MBR/MBF49-SH  
PLAN VIEW



MBR/MBF72-SH  
PLAN VIEW



SIDE VIEW

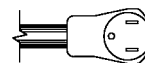
### LISTINGS



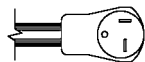
(Excluding MBF23-SH)

### HOOKUP

Via plug in, 9.8 foot long flexible three wire 14/3 cord with molded plug.



NEMA 5-15P (all models except MBF72-SH)



NEMA 5-20P (MBF72-SH)

### BID SPECIFICATIONS

Item no. MBR/MBF\_\_\_\_-SH. Provide \_\_\_\_ Bottom Mounted Solid Half-Door Reach-in(s), Master-Bilt® model no. MBR/MBF\_\_\_\_-SH.

Reach-in will feature rounded corner construction with stainless steel interior and exterior. Top, bottom and back will be galvanized steel. Reach-in will also be equipped with an electronically controlled

monitoring system with door alarm function.

The refrigeration system will be bottom mounted and self-contained. MBR72-S model and MBF model freezers will use R-404A refrigerant. MBR23-SH & MBR49-SH refrigerators will use R-134a.

The temperature range will be 32° to 40°F (0° to 4° C) for refrigerators and -22° to 8°F (-30° to

-13°C) for freezers.

Reach-in to have standard limited three year parts and labor with additional two year coverage on compressor part.

Reach-in to be ENERGY STAR® qualified (excluding MBF23-SH) & UL, C-UL and ETL sanitation listed.

**NOTE: Cabinet designed for optimum performance in air-conditioned area at 75°F ambient and 55% relative humidity. All specifications subject to change without notice.**