

# MB MASTER-BILT® FUSION™ SERIES

ITEM NO. \_\_\_\_\_  
 PROJECT \_\_\_\_\_  
 LOCATION \_\_\_\_\_  
 DATE \_\_\_\_\_ QTY. \_\_\_\_\_

## MBPT SERIES Pizza Prep Units



### MODELS

- MBPT44     MBPT67     MBPT93



### Drop-in section:

- Fans force cold air into this enclosed area keeping stored food items consistently cold
- A stainless steel divider prevents food spillage into the storage area beneath
- Accommodates 6" deep pans (4" standard)

MBPT67



## FEATURES

### CONSTRUCTION

- Stainless steel interior and exterior
- Foamed-in-place with low ODP polyurethane insulation
- Wall thickness: 1.75"
- Insulated top lids
- 1/2" thick, 19" deep reversible cutting board
- Standard 1/3 size pans
- Adjustable heavy-duty vinyl-coated shelves
- 6" diameter casters

### DOORS

- Self-closing
- Heavy-duty ergonomic handle
- Standard door swing configuration:
  - MBPT44 ..... hinged left
  - MBPT67 ..... left hinged left, right hinged right
  - MBPT93 ..... left hinged left, middle hinged left, right hinged right

### Door width:

- MBPT44 ..... 29<sup>7</sup>/<sub>8</sub>"
- MBPT67 and MBPT93 ..... 26"

### REFRIGERATION

- Self-contained forced air refrigeration system
- Coated evaporator coils
- Refrigerant:
  - MBPT44 and MBPT67 ..... R134a
  - MBPT93 ..... R404A
- Temperature range: 32° to 40°F (0° to 4° C)

### WARRANTY

- **Standard limited three year parts and labor**
- **Additional two year coverage on compressor part**

## OPTIONS

- Single or double overshelf



- Refrigerated drawers available on certain models, see page 3



## BID SPECIFICATIONS

Item no. MBPT\_\_\_\_. Provide \_\_\_\_ Pizza Prep Unit(s), Master-Bilt® model no. MBPT\_\_\_\_.

Prep unit will be constructed of stainless steel interior and exterior. Standard features will include a 1/2" thick, 19" deep reversible cutting board, 1/3 size pans, insulated lids,

adjustable heavy-duty vinyl-coated shelves and 6" diameter casters.

The refrigeration system will be self-contained. MBPT44 and MBPT67 will contain R-134a refrigerant while the MBPT93 will contain R404A. The temperature range will be

32° to 40°F (0° to 4° C).

Prep unit to have standard limited three year parts and labor with additional two year coverage on compressor part.

Prep unit to be UL, C-UL and ETL Sanitation listed.

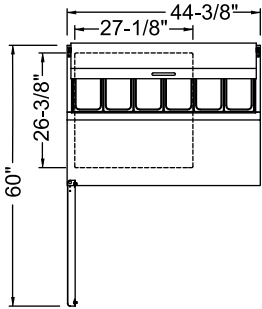


908 Highway 15 North • New Albany, MS 38652  
 PHONE: 800-647-1284 or 662-534-9061 • FAX: 800-232-3966 or 662-534-6049 • www.master-bilt.com

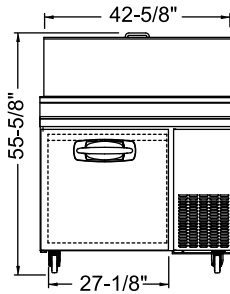
## TECHNICAL SPECIFICATIONS

MODEL	DIMENSIONS (in.)			DIMENSIONS (mm)			VOLTS	AMPS	UNIT H.P.	NO. OF DOORS	NO. OF SHELVES	NO. OF PANS	CAP. CU. FT.	SHIP CU. FT.	SHIP WT. (LB/KG)
	L	D*	H**	L	D*	H**									
MBPT44	44 <sup>3</sup> / <sub>8</sub>	36 <sup>1</sup> / <sub>2</sub>	41 <sup>7</sup> / <sub>8</sub>	1127	927	1064	115	6.5	3/8	1	2	(6) 1/3	9.7	43.2	309/140
MBPT67	67	36 <sup>1</sup> / <sub>2</sub>	41 <sup>7</sup> / <sub>8</sub>	1702	927	1064	115	6.5	3/8	2	4	(9) 1/3	17.8	64.4	548/249
MBPT93	93 <sup>1</sup> / <sub>4</sub>	36 <sup>1</sup> / <sub>2</sub>	41 <sup>7</sup> / <sub>8</sub>	2369	927	1064	115	7.5	1/2	3	6	(12) 1/3	27.2	89.0	698/317

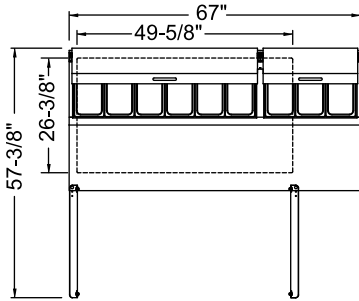
\*Depth includes cutting board. \*\*Height includes casters.



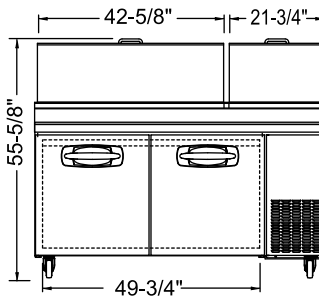
MBPT44 PLAN VIEW



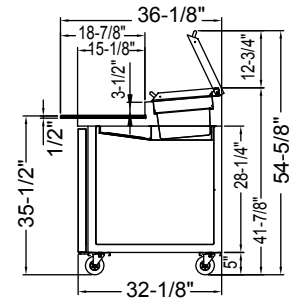
MBPT44 ELEVATION VIEW



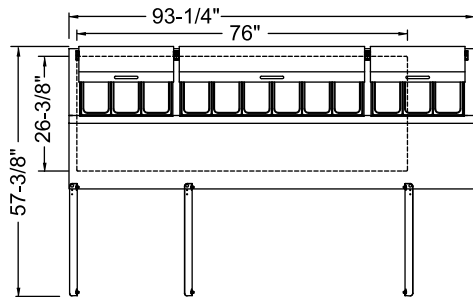
MBPT67 PLAN VIEW



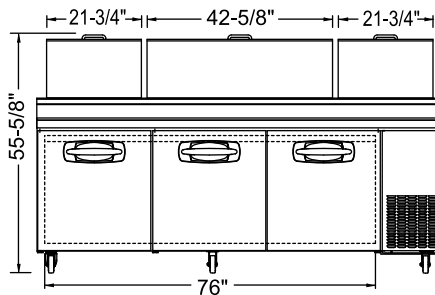
MBPT67 ELEVATION VIEW



SIDE VIEW - ALL MODELS



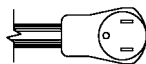
MBPT93 PLAN VIEW



MBPT93 ELEVATION VIEW

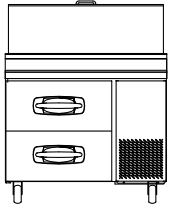
## HOOKUP

All models via plug in, 9 foot long flexible three wire 14/3 cord with molded plug.

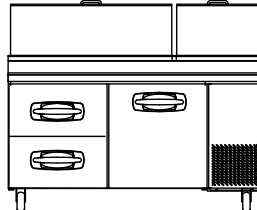


NEMA 5-15P

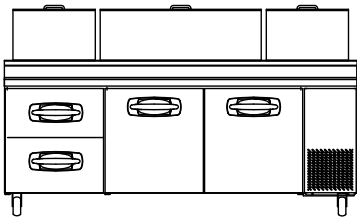
## OPTIONAL REFRIGERATED DRAWER CONFIGURATIONS



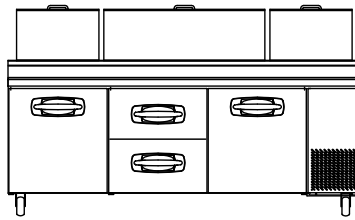
MBPT44-001



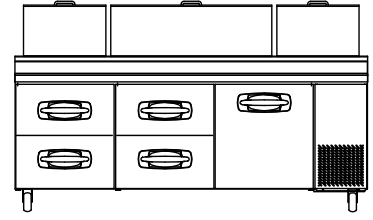
MBPT67-003



MBPT93-003



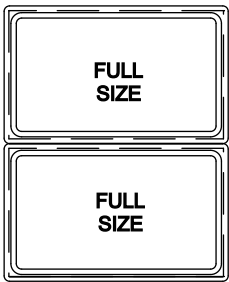
MBPT93-004



MBPT93-007

## PAN CONFIGURATIONS FOR REFRIGERATED DRAWERS

MBPT44

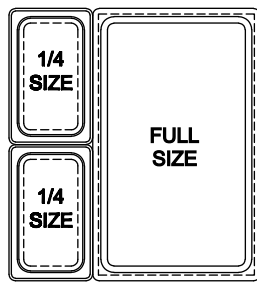


TOP & BOTTOM DRAWERS

DRAWER  
FRONT



MBPT67 & MBPT93



TOP & BOTTOM DRAWERS

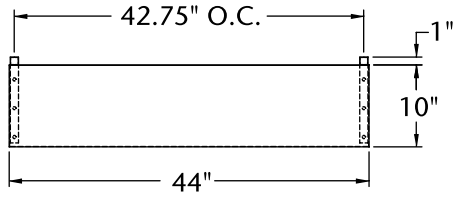
DRAWER  
FRONT



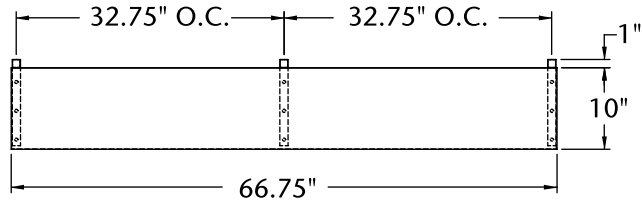
\*U.S. size pans, pans provided by others

Drawers accept up to 6-inch deep pans.

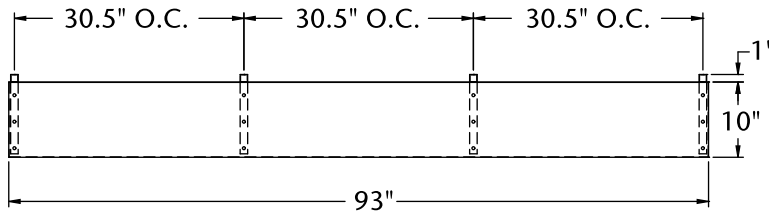
### OPTIONAL OVERSHELF SPECIFICATIONS



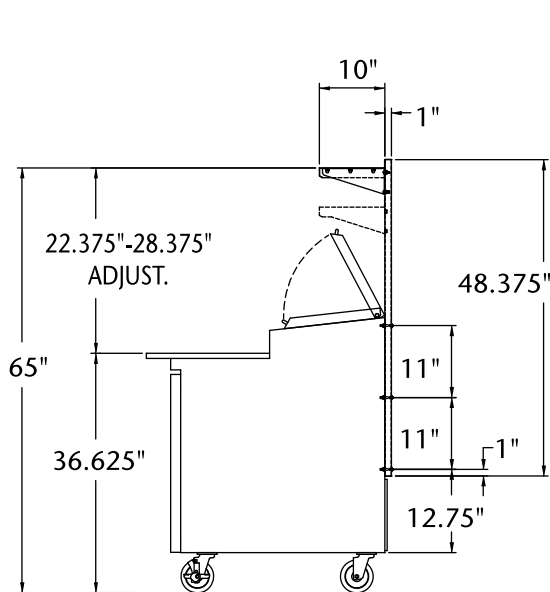
PLAN VIEW MBPT44



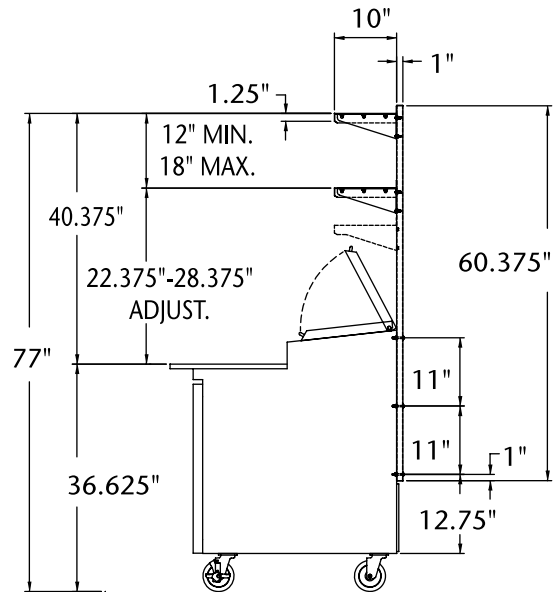
PLAN VIEW MBPT67



PLAN VIEW MBPT93



SINGLE SHELF SIDE VIEW



DOUBLE SHELF SIDE VIEW

**NOTE:** Cabinet designed for optimum performance in air-conditioned area at 75°F ambient and 55% relative humidity. All specifications subject to change without notice.