

MSF-43AN

*Standard features include baskets, integrated basket dividers, external thermometer and lock.*

## MB MASTER-BILT<sup>®</sup>

COLDIN-3™ SERIES

### MSF-AN SERIES

#### Flat Lid Display Freezers

#### MODELS

- MSF-31AN
- MSF-43AN
- MSF-52AN
- MSF-71AN

### FEATURES

#### CONSTRUCTION

- Standard interior LED lighting with separate on/off switch
- Tempered glass sliding lids
- White zinc-coated baked-on enamel steel exterior
- Painted white powder-coated steel interior
- Flat top three-compartment baskets
- Removable rubber bumper guards on grille side

- Heavy-duty casters, two locking
- Bottom drain with plug
- Lid lock and keys
- The unobtrusive frame around the glass lids ensures a highly visible display
- External analog thermometer display
- Control panel with adjustable temperature range of +10 to -18°F
- Low energy consumption

#### REFRIGERATION

- Refrigerant: R290
- Temperature range: -18° to 10°F (-27° to -12°C)

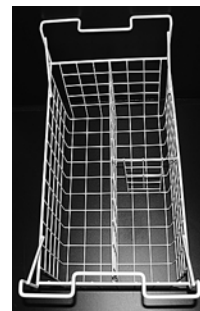
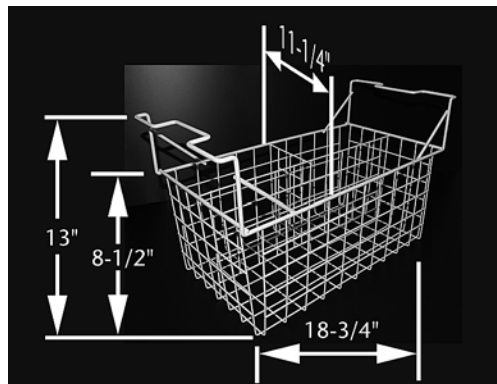
#### WARRANTY

- Standard limited one year parts and labor
- Additional four year coverage on compressor part

### STANDARD BASKETS

MSF-AN merchandisers are supplied with equally-sized baskets and two fixed dividers per basket.

MODEL	NO. OF BASKETS
MSF-31AN	2
MSF-43AN	3
MSF-52AN	4
MSF-71AN	5



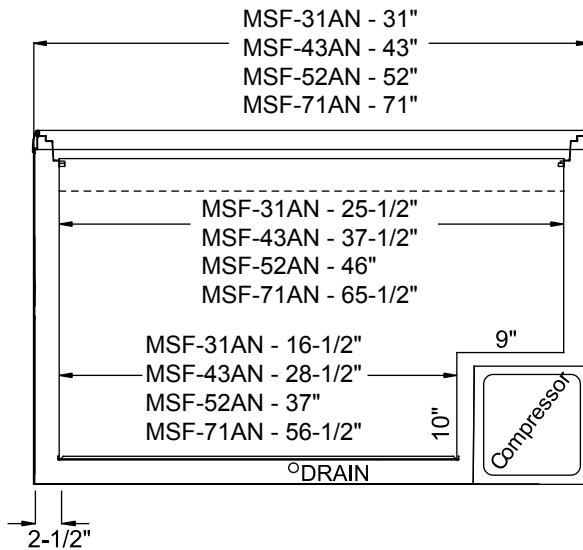
One vertical and one horizontal fixed divider in each basket.



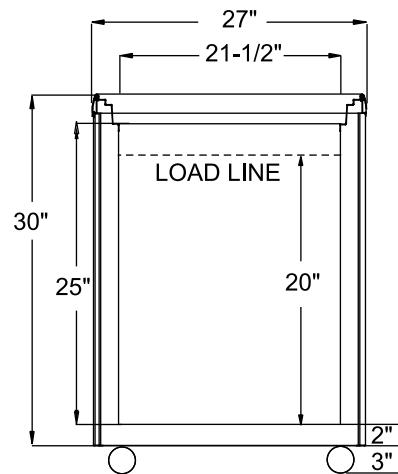
# COLDIN-3™ MSF-AN SERIES FLAT LID DISPLAY FREEZERS

## TECHNICAL SPECIFICATIONS

MODEL	DIMENSIONS (in.)			DIMENSIONS (mm)			VOLTS	AMPS	UNIT H.P.	GROSS CU. FT.	NET CU. FT.	SHIP CU. FT.	SHIP WT. LB/KG
	L	D	H	L	D	H							
MSF-31AN	31	27	33	787	686	851	115	1.1	1/3	7.5	6.0	20.7	181/82
MSF-43AN	43	27	33	1092	686	851	115	1.1	1/3	11.5	9.0	27.8	192/87
MSF-52AN	52	27	33	1321	686	851	115	1.3	1/3	14.0	11.5	33.1	213/97
MSF-71AN	71	27	33	1803	686	851	115	3.9	2/3	20.0	16.5	44.3	269/122



ELEVATION VIEW



SIDE VIEW

## LISTINGS



## HOOKUP

Via plug in, 6<sup>1</sup>/<sub>2</sub> ft. long, flexible 3 wire 14AWG/3 cord with molded plug.



## BID SPECIFICATIONS

Item no. MSF-\_\_\_\_\_AN  
Provide \_\_\_\_\_ ( ) Standard Display Freezer(s) Master-Bilt® model MSF-\_\_\_\_\_AN.

Freezer to be constructed of a white zinc-coated baked-on enamel on steel exterior with painted white powder-coated steel interior. Freezer to be furnished with

standard LED interior lighting. Also standard with baskets, integrated basket dividers, external thermometer and lock. Additionally, it will be provided with heavy-duty casters and a defrost water drain. Lids will contain tempered safety glass.

Refrigeration system will use R290 refrigerant in all models. The temperature range will be -18° to 10°F (-27° to -12°C).

Freezer to have standard limited one year parts and labor with additional four year coverage on compressor part.

Freezer to be ETL listed in the U.S. and Canada and ETL Sanitation listed.

**NOTE:** Cabinet designed for optimum performance in air-conditioned area at 75°F ambient and 55% relative humidity. All specifications subject to change without notice.



908 Highway 15 North • New Albany, MS 38652  
PHONE: 800-647-1284 or 662-534-9061 • FAX: 800-232-3966 or 662-534-6049 • www.master-bilt.com

