



Job \_\_\_\_\_ Item No. \_\_\_\_\_

## Grill Max® Sneeze Guards

Glass Canopy 30SG-G 45SG-G 50SG-G 75SG-G

Polycarbonate with One [1] Door 20SG-1D 30SG-1D 45SG-1D 50SG-1D 75SG-1D

Polycarbonate with Two [2] Doors 20SG-2D 30SG-2D 45SG-2D 50SG-2D 75SG-2D



50SG-2D with optional sneeze guard shields



50SG-G with optional sign holder

### DESCRIPTION

Star Grill-Max® hot dog roller grill sneeze guards are designed to be functional and aesthetically pleasing. They fit snugly and attach without tools and come in several variations to meet each operations needs. Sneeze guards provide more sanitary conditions as well as evenbetter cooking.

### SPECIFICATIONS

Grill-Max® roller grill accessory sneeze guards are made with either formed polycarbonate or tempered glass depending on model. All models will be able to be installed with no tools. All models are certified for NSF2 if installed properly [polycarbonate models will require accessory sneeze guard shields to meet this specification.

### WARRANTY

These units come with a one [1] year warranty for parts and labor.

### FEATURES

- Maintain more even cooking and warming temperatures
- Clear view to help sell product while still meeting safety and health requirements
- Easy installation with no tools
- Protects product without hindering accessibility by customers

### OPTIONS & ACCESSORIES

- Glass or polycarbonate models to meet your needs
- Sneeze guard shield for polycarbonate models (required to meet NSF-2 certification)
- Sign holder for glass canopy models

### CERTIFICATIONS



<sup>1</sup> polycarbonate models only <sup>2</sup> glass canopy models only



**STAR MANUFACTURING INTERNATIONAL INC.**  
10 Sunnen Drive • Saint Louis, Missouri 63143  
Telephone 800 264 7827 • Fax 314 781 5445  
www.star-mfg.com

Printed in the U.S.A. • 2M-Z21566 • Rev - • 08.2016  
Specifications are subject to change without notice and are not intended for installation purposes.

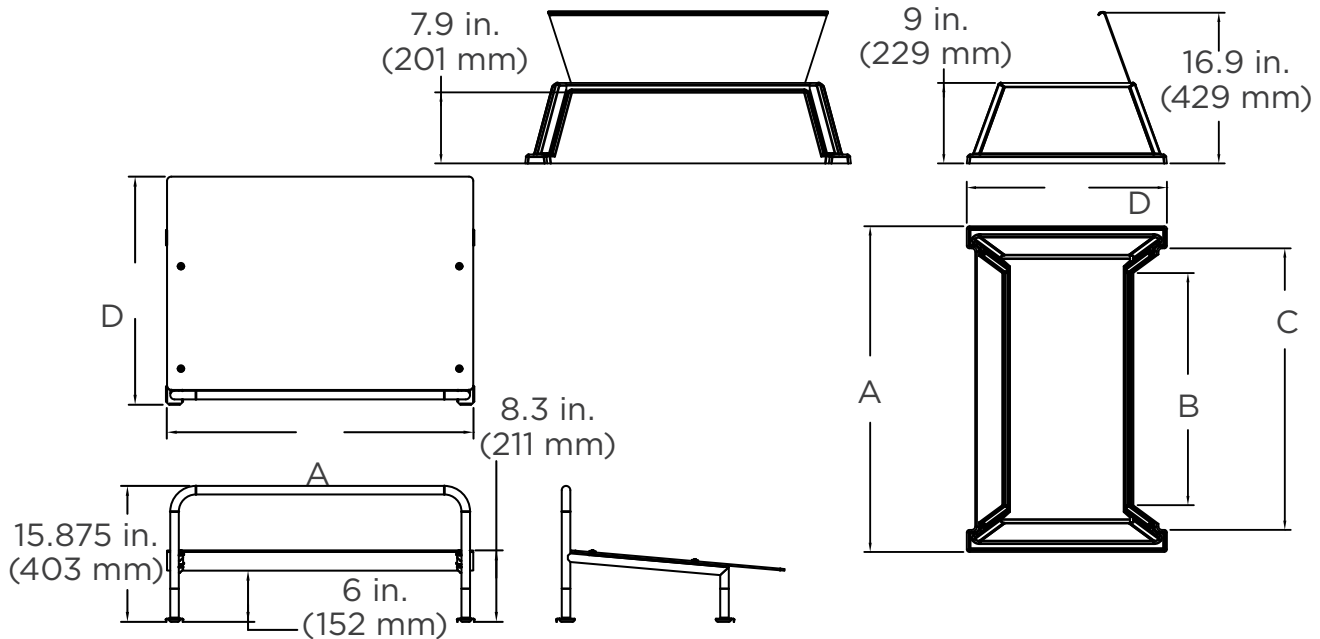


# Grill Max® Sneeze Guards

Glass Canopy □30SG-G □45SG-G □50SG-G □75SG-G

Polycarbonate with One [1] Door □20SG-1D □30SG-1D □45SG-1D □50SG-1D □75SG-1D

Polycarbonate with Two [2] Doors □20SG-2D □30SG-2D □45SG-2D □50SG-2D □75SG-2D



HOT DOG ROLLER FAMILY	GUARD MODEL	HEIGHT in. (mm)	WIDTH [A] in. (mm)	OPENING WIDTH TOP [B] in. (mm)	OPENING WIDTH BOTTOM [C] in. (mm)	DEPTH [D] in. (mm)	AVAILABLE ACCESSORY
20	20SG-1D	9 (229)	17.5 (445)			21.375 (543)	sneeze shield 20SGS <sup>3</sup>
	20SG-2D	9 (229)	17.5 (445)			21.375 (543)	sneeze shield 20SGS <sup>3</sup>
30	30SG-1D	9 (229)	24.5 (622)	14.1 (358)	18.2 (462)	21.375 (543)	sneeze shield 30SGS <sup>3</sup>
	30SG-2D	9 (229)	24.5 (622)	14.1 (358)	18.2 (462)	21.375 (543)	sneeze shield 30SGS <sup>3</sup>
	30SG-G	15.875 (403)	23.75 (603)			26.6 (676)	sign holder 30SH <sup>4</sup>
45	45SG-1D	9 (229)	24.5 (622)	14.1 (358)	18.2 (462)	29.25 (743)	sneeze shield 30SGS <sup>3</sup>
	45SG-2D	9 (229)	24.5 (622)	14.1 (358)	18.2 (462)	29.25 (743)	sneeze shield 30SGS <sup>3</sup>
	45SG-G	15.875 (403)	23.75 (603)			34.6 (879)	sign holder 30SH <sup>4</sup>
50	50SG-1D	9 (229)	36.5 (927)	26 (660)	31.5 (800)	21.375 (543)	sneeze shield 50SGS <sup>3</sup>
	50SG-2D	9 (229)	36.5 (927)	26 (660)	31.5 (800)	21.375 (543)	sneeze shield 50SGS <sup>3</sup>
	50SG-G	15.875 (403)	35.75 (908)			26.6 (676)	sign holder 50SH <sup>4</sup>
75	75SG-1D	9 (229)	36.5 (927)	26 (660)	31.5 (800)	29.25 (743)	sneeze shield 50SGS <sup>3</sup>
	75SG-2D	9 (229)	36.5 (927)	26 (660)	31.5 (800)	29.25 (743)	sneeze shield 50SGS <sup>3</sup>
	75SG-G	15.875 (403)	35.75 (908)			34.6 (879)	sign holder 50SH <sup>4</sup>

<sup>3</sup>sneeze guard shield to replace one [1] door    <sup>4</sup>30/45 models use 23.75 in. (603 mm) wide sign, 50/75 models use 35.75 in. (908 mm) wide sign sign will measure 6.625 in. (168 mm) high with a visible height of 5.875 in. (149 mm)

Due to periodic changes in designs, methods, procedures, policies and regulations, the specifications contained in this sheet are subject to change without notice. While Star Manufacturing exercises good faith efforts to provide information that is accurate, we are not responsible for errors or omissions in information provided or conclusions reached as a result of using the specifications. By using the information provided, the user assumes all risks in connection with such use.