



Job _____ Item No. _____

Star® JetStar Popcorn Poppers

□39-A □39D-A □39R-A □39S-A



39-A



39D-A



39R-A



39S-A

DESCRIPTION

The JetStar 6 oz. popcorn poppers are ideal for snack bars, convenience stores, taverns, restaurants or any place you want to pop delicious popcorn. Whether its a quick snack or an addition to a meal, JetStar commercial popcorn machines are built to last.

SPECIFICATIONS

The 6 oz. JetStar family of popcorn poppers are outfitted with a nickel plated steel kettle, stainless steel exterior shell and a 1000 watt kettle heating element. Units are constructed of 1/8" thick tempered glass panels and four extruded aluminum corner posts. Units have two 3/16" thick Lexan doors with full length aluminum hinges and clear Lexan removable drop panel. Contains a 50 watt heated stainless steel corn deck and a stainless steel old maid drawer. A 6' cord and NEMA 5-15 Plug are standard.

WARRANTY

These units come with a one [1] year warranty for parts and labor.

FEATURES

- Several style and color options available to fit any decor:
 - 39-A-JetStar Popper with Yellow Painted Top
 - 39D-A-JetStar Popper with Wood-Grain Styling
 - 39R-A-JetStar Popper with Red Styling
 - 39S-A-JetStar Popper with Stainless Steel Top
- Pops 135 one ounce servings per hour of quality Star Chief's Choice brand popcorn.(Contact factory for details)
- Requires 21" or less of counter space to fit easily where you need it
- 6 oz. nickel plated steel kettle for maintenance free operation
- Easy-to-clean swing up/down kettle design allows easy dispensing of your popped corn into the cabinet
- A magnetic catch holds the one-piece kettle lid up for easy and safe loading of Chief's Choice popcorn
- Heated stainless steel corn deck
- Stainless steel removable old maid drawer for easy separation and removal of unpopped kernels
- Three 1/8" thick clear tempered glass panels with aluminum corner posts
- Two clear Lexan doors have full length aluminum hinges with magnetic catch to stand up to consistent use
- Clear Lexan serving drop panel provides great visibility and easy removal for cleaning
- Eye level control panel houses 2 switches; top (kettle mixer and kettle heat) and bottom (75 watt light to merchandise and bottom element to keep popcorn crisp and ready to eat.)
- Attractive colorful graphics to enhance impulse sales
- 120V - plugs in anywhere

OPTIONS & ACCESSORIES

- Chief's Choice Popcorn

CERTIFICATIONS



STAR MANUFACTURING INTERNATIONAL INC.

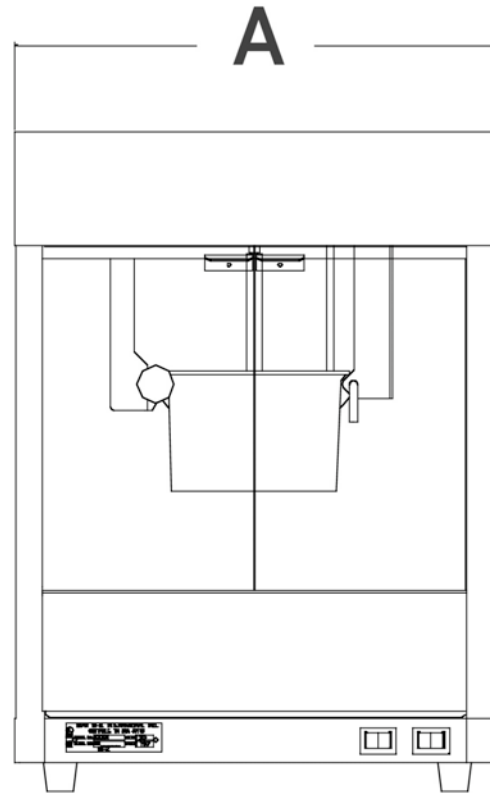
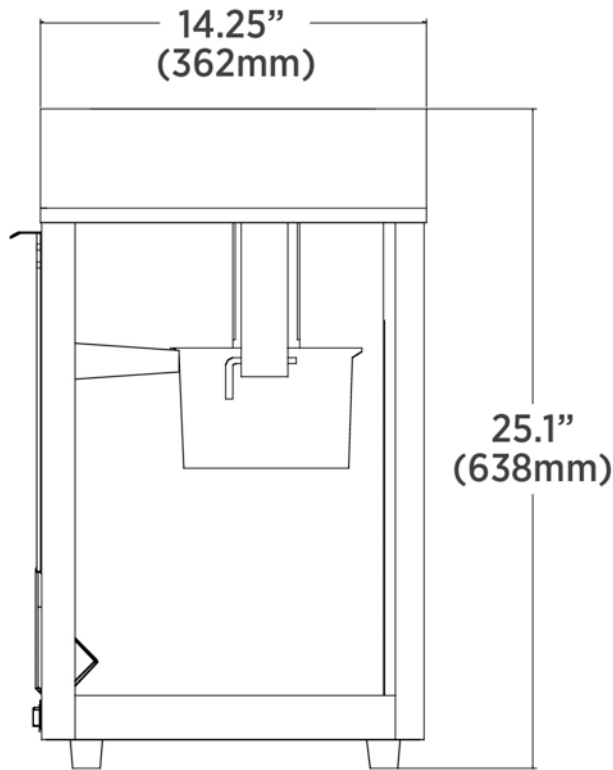
10 Sunnen Drive • Saint Louis, Missouri 63143
Telephone 800 264 7827 • Fax 314 781 5445
www.star-mfg.com

Printed in the U.S.A. • 2M-ZZxxxx • Rev - • 5.2017
Specifications are subject to change without notice
and are not intended for installation purposes.



Star® JetStar Popcorn Poppers

□39-A □39D-A □39R-A □39S-A



MODEL	DESCRIPTION	SERVINGS PER HOUR	HEIGHT in. (mm)	WIDTH [A] in. (mm)	DEPTH in. (mm)	VOLTS	WATTS	NEMA PLUG	APPROX. SHIP WEIGHT	APPROX. INSTALL WEIGHT
39-A	YELLOW POPPER	135 - 1 Oz.	25.1 (638)	19.5 (495)	14.25 (362)	120V 230V	1,197	5-15P CEE7/7	56 lb. (25.4 kg)	45 lb. (20.4 kg)
39D-A	WOOD GRAIN POPPER			21.0 (533)						
39R-A	RED POPPER			19.5 (495)						
39S-A	STAINLESS STEEL POPPER			19.5 (495)						



5-15P



CEE7/7

Due to periodic changes in designs, methods, procedures, policies and regulations, the specifications contained in this sheet are subject to change without notice. While Star Manufacturing exercises good faith efforts to provide information that is accurate, we are not responsible for errors or omissions in information provided or conclusions reached as a result of using the specifications. By using the information provided, the user assumes all risks in connection with such use.



STAR MANUFACTURING INTERNATIONAL INC.

10 Sunnen Drive • Saint Louis, Missouri 63143

Telephone 800 264 7827 • Fax 314 781 5445

www.star-mfg.com

Printed in the U.S.A. • 2M-Z2xxxx • Rev - • 5.2017
Please refer to the owner's manual for information regarding installation or use.