



Job _____ Item No. _____

Ultra-Max® Electric Griddle

Steel Plate □724TA □736TA □748TA □760TA □772TA

Chrome Plate □724TCHSA □736TCHSA □748TCHSA □760TCHSA □772TCHSA



724TA

DESCRIPTION

Ultra-Max® electric griddles are designed to be reliable, efficient, and accurate. Each twelve [12] inch (305 mm) section has its own independent temperature control and the griddle surface is one [1] inch (25 mm) thick, providing even cooking of a variety of products at the same time.

SPECIFICATIONS

The Ultra-Max® electric countertop griddle will be constructed in the U.S.A. with a corrosion-resistant stainless steel base. The griddle plate will be one [1] inch (25 mm) thick and is offered with either a chrome or polished steel surface. The heating elements will allow control of each twelve [12] inch (305 mm) section and will use electric snap-action thermostats. There will be one temperature control for each twelve [12] inch (305 mm) section. The temperature will be controlled by snap-action thermostats from 150°F (66°C) up to 450°F (232°C). The unit will have one [1] grease drawer on 724, 736, and 748 models, and two [2] grease drawers on 760 and 772 models. The griddles will be ready to hard-wire to an appropriate electrical connection or connections depending on model. Models will operate on 208V/240 V service. The griddles will be supplied with four [4] inch (102 mm) legs that are adjustable up to 1.375 inches (35 mm).

WARRANTY

Ultra-Max® units come with a two [2] year warranty for parts and labor.

FEATURES

- Electric snap-action thermostats use sensors embedded 3/16 of an inch (5 mm) from the cooking surface every 12 inches (305 mm)
- Wide operating temperature range—between 150°F (66°C) and 450°F (232°C)
- One [1] inch (25 mm) thick polished steel or chrome griddle plate
- 4.35 kW per twelve [12] inch section of griddle
- 5.5-inch (140 mm) rear and side splash guard and a 3.5-inch (89 mm) by one [1] inch (25 mm) grease trough for easy cleanup

OPTIONS & ACCESSORIES

- 0.002-inch (0.05 mm) thick hexavalent chrome surface on ultra-tough T1 steel plate
- Steel stand with legs or casters

CERTIFICATIONS



*760 and 772 models are not cUL/CSA certified



STAR MANUFACTURING INTERNATIONAL INC.
265 Hobson Street • Smithville, Tennessee 37166
Telephone 800 264 7827 • Fax 314 781 5445
www.star-mfg.com

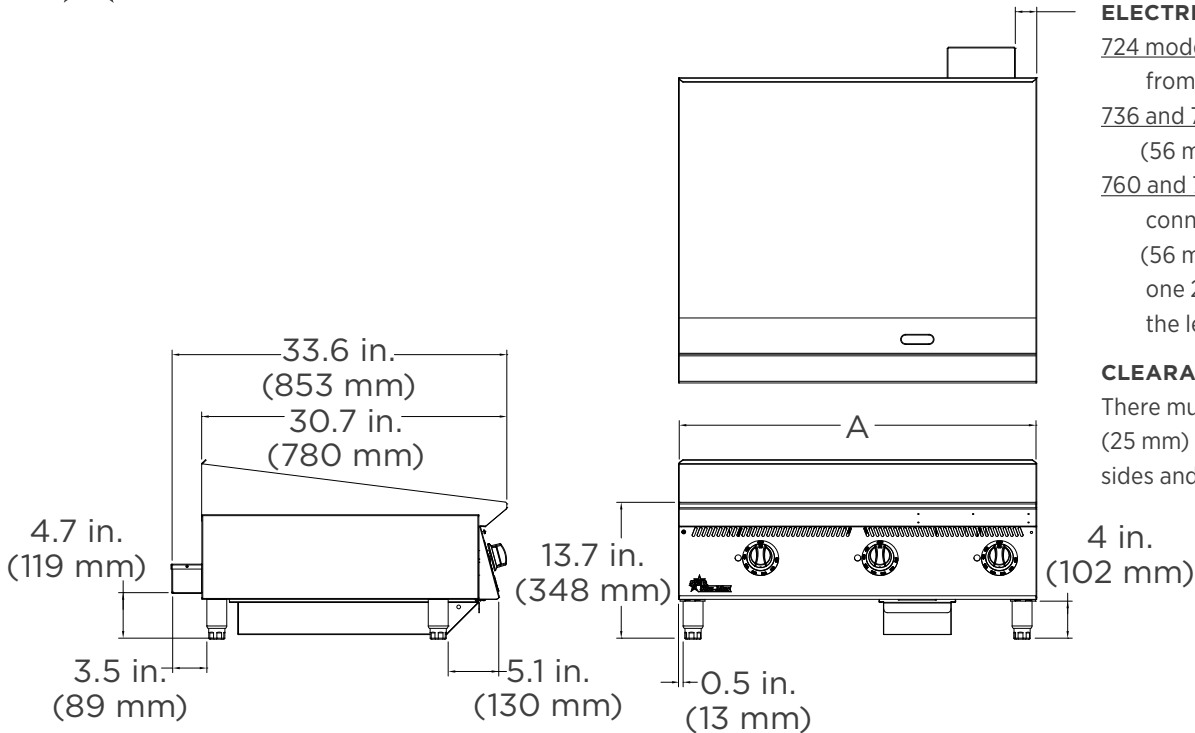
Printed in the U.S.A. • 2M-Z21430 • Rev A • 03.2018
Specifications are subject to change without notice and are not intended for installation purposes.



Ultra-Max® Electric Griddle

Steel Plate □724TA □736TA □748TA □760TA □772TA

Chrome Plate □724TCHSA □736TCHSA □748TCHSA □760TCHSA □772TCHSA



ELECTRICAL CONNECTION

724 models—8.7 inches (221 mm) from either side

736 and 748 models—2.2 inches (56 mm) from right side

760 and 772 models—two [2] connections, one 2.2 inches (56 mm) from the right and one 2.2 inches (56 mm) from the left.

CLEARANCE

There must be at least one [1] inch (25 mm) of clearance between the sides and back of the unit and a wall.

MODEL	HEIGHT	WIDTH [A]	DEPTH	VOLTAGE	KW	1Φ	3Φ L1	3Φ L2	3Φ L3	APPROX. SHIP WEIGHT	APPROX. WEIGHT INSTALLED	
724	18 in. (457 mm)	24 in. (610 mm)	33.6 in. (853 mm)	208/ 240	8.7	41.8/ 36.3	18.2/ 15.7	36.2/ 31.4	18.2/ 15.7	290 lb. (131.5 kg)	220 lb. (99.8 kg)	
736	18 in. (457 mm)	36 in. (914 mm)	33.6 in. (853 mm)	208/ 240	13.05	62.7/ 54.4	36.2/ 31.4	36.2/ 31.4	36.2/ 31.4	389 lb. (176.4 kg)	330 lb. (149.7 kg)	
748	18 in. (457 mm)	48 in. (1.22 m)	33.6 in. (853 mm)	208/ 240	17.4	83.6/ 72.5	54.4/ 47.1	54.4/ 47.1	36.2/ 31.4	520 lb. (235.9 kg)	440 lb. (199.6 kg)	
760 ¹	18 in. (457 mm)	60 in. (1.52 m)	33.6 in. (853 mm)	208/ 240	21.8	C1	62.7/ 54.4	36.2/ 31.4	36.2/ 31.4	36.2/ 31.4	686 lb. (311.2 kg)	560 lb. (254 kg)
						C2	41.8/ 36.3	18.2/ 15.7	36.2/ 31.4	18.2/ 15.7		
772 ¹	18 in. (457 mm)	72 in. (1.83 m)	33.6 in. (853 mm)	208/ 240	26.1	C1	62.7/ 54.4	36.2/ 31.4	36.2/ 31.4	36.2/ 31.4	798 lb. (362 kg)	670 lb. (303.9 kg)
						C2	62.7/ 54.4	36.2/ 31.4	36.2/ 31.4	36.2/ 31.4		

¹ Requires two electrical connections, noted as C1 for connection one [1] and C2 as connection two [2].

These models are not CSA/cUL certified.

Due to periodic changes in designs, methods, procedures, policies and regulations, the specifications contained in this sheet are subject to change without notice. While Star Manufacturing exercises good faith efforts to provide information that is accurate, we are not responsible for errors or omissions in information provided or conclusions reached as a result of using the specifications. By using the information provided, the user assumes all risks in connection with such use.



STAR MANUFACTURING INTERNATIONAL INC.

265 Hobson Street • Smithville, Tennessee 37166

Telephone 800 264 7827 • Fax 314 781 5445

www.star-mfg.com

Printed in the U.S.A. • 2M-Z21430 • Rev A • 03.2018

Please refer to the owner's manual for information regarding installation or use.