



T&S BRASS AND BRONZE WORKS, INC.
 2 Saddleback Cove / P.O. Box 1088
 Travelers Rest, SC 29690

Model No.
006678-45

Item No.

Travelers Rest, SC: 800-476-4103 • Simi Valley, CA: 800-423-0150 • Fax: 864-834-3518 • www.tsbrass.com

This Space for Architect/Engineer Approval

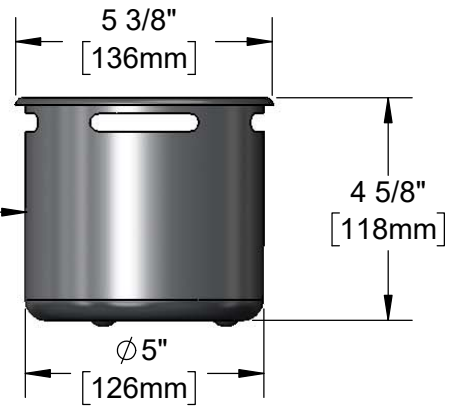
Job Name _____ Date _____

Model Specified _____ Quantity _____

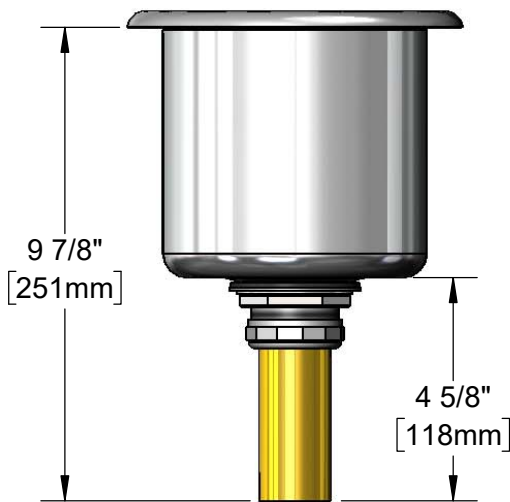
Customer/Wholesaler _____

Contractor _____

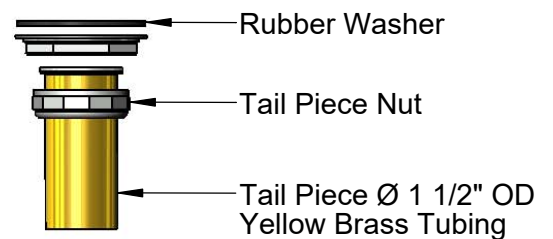
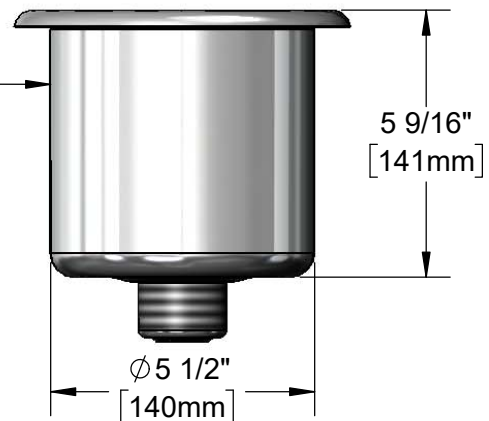
Architect/Engineer _____



Stainless Steel Dipperwell Cup



Stainless Steel Dipperwell Container



Rough-In Requirement:
 $\phi 5 \frac{3}{4}''$ [146mm] Mounting Hole

Product Specifications:
 Dipperwell Bowl & Drain Assembly

Product Compliance:
 ASME A112.18.2 / CSA B125.2