



ADA Compliant

*This Space for Architect/Engineer Approval*

Job Name \_\_\_\_\_ Date \_\_\_\_\_

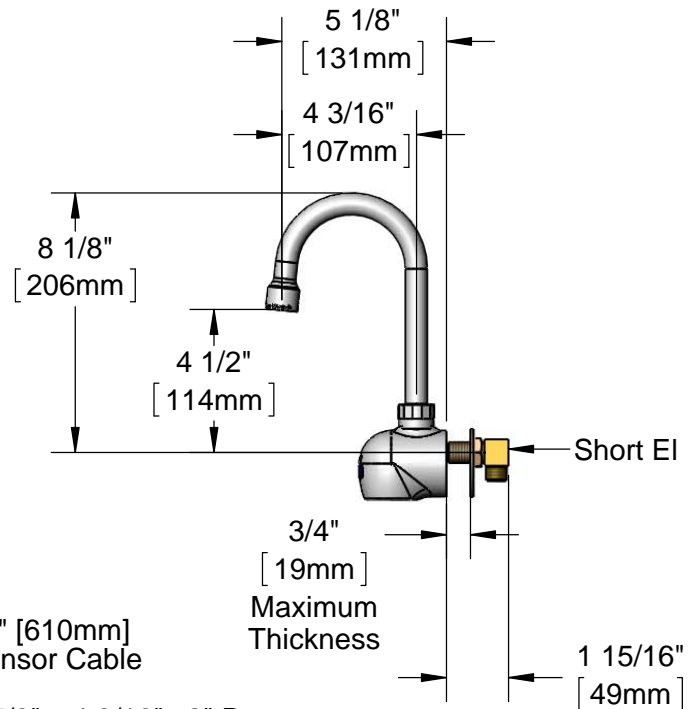
Model Specified \_\_\_\_\_ Quantity \_\_\_\_\_

Customer/Wholesaler \_\_\_\_\_

Contractor \_\_\_\_\_

Architect/Engineer \_\_\_\_\_

016739-40  
Swivel Gooseneck w/  
2.2 GPM [8.3 LPM]  
Vandal Resistant Aerator.  
Rigid Conversion Requires  
01742145 Lock Washer  
(Included)



30" [762mm] Long  
Flexible Stainless  
Steel Hose Between  
Shank & Control  
Module

9 9/16"  
[243mm]

Removable  
Strainer

Mechanical Mixing  
Valve w/ Integral  
Check Valves



24" [610mm]  
Sensor Cable

(2) 18" [457mm]  
Flexible Stainless  
Steel Supply Hoses.  
1/2" NPSM Female  
x 3/8" Compression  
Female

3 5/8" x 4 3/16" x 2" Deep  
[92mm x 106mm x 51mm]  
Control Module Box (White)  
w/ Water Resistant Connections.  
AC or DC Operated w/  
(4) AA Batteries

100-240 VAC Adapter  
w/ 144" [3658mm]  
Long Double Power Cord

Rough-In Requirement:  
Ø 1 1/8" [29mm] Mounting Hole

Model Number

**5EF-1D-WGAT**

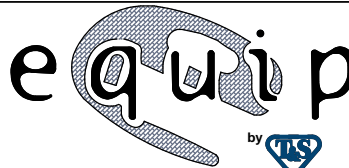
Product Specifications:

Electronic Faucet: Wall Mount Swivel Gooseneck, 2.2 GPM VR  
Aerator, AC-DC Control Module, Temperature Control Mixing Valve,  
Integral Check Valves & (2) 18" Flexible Supply Hoses

Product Compliance:

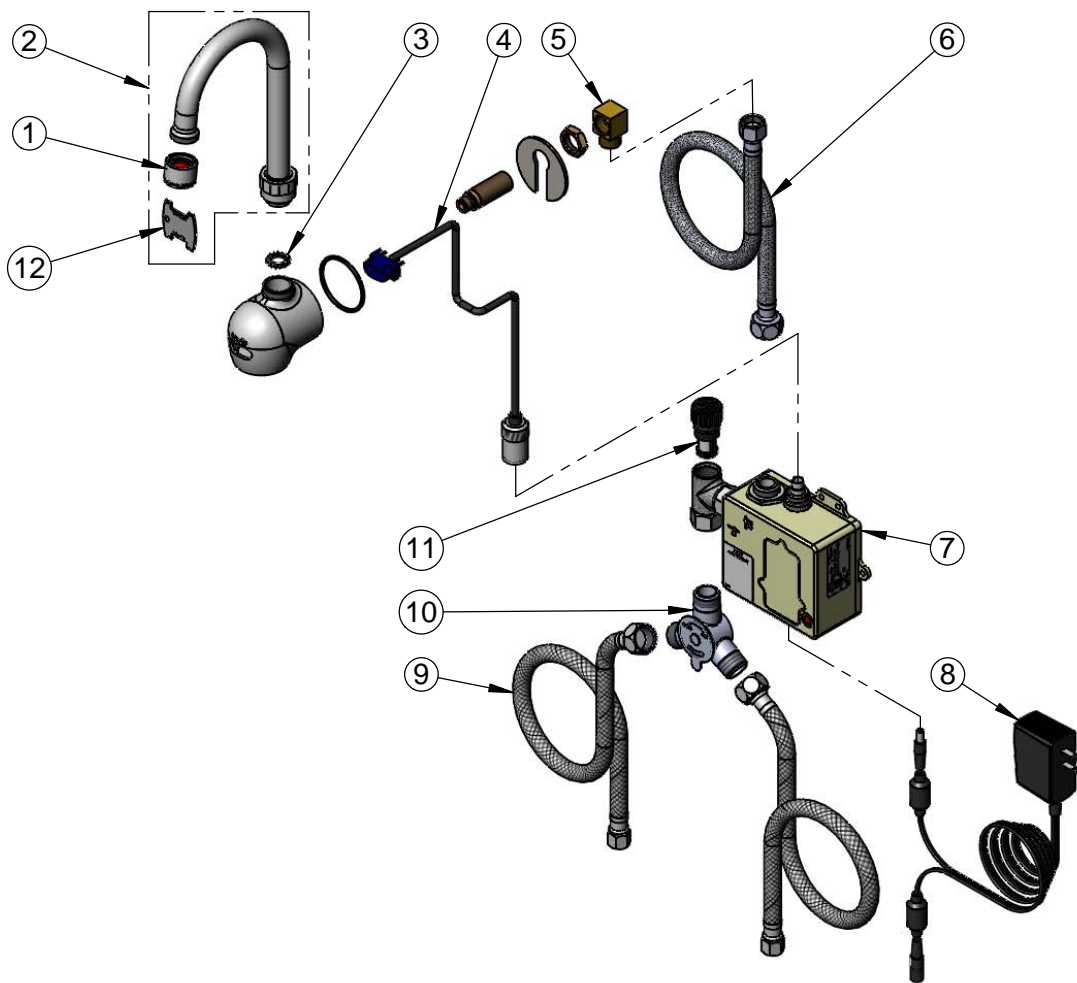
ASME A112.18.1 / CSA B125.1  
NSF 61 - Section 9  
NSF 372 (Low Lead Content)  
ANSI A117.1 (ADA)  
UL 1951

equip  
Foodservice  
Accessories



2 Saddleback Cove, P.O. Box 1088  
Travelers Rest, South Carolina 29690  
Phone: 800.891.4808 Fax: 800.868.0084  
equip.tsbrass.com

ITEM NO.	SALES NO.	DESCRIPTION
1	B-0199-06	VR 2.2 GPM Aerator w/ Key
2	016739-40	Swivel Gooseneck w/ 2.2 GPM Vandal Resistant Aerator (5EF-1D-WGAT)
3	017421-45	Serrated Lock Washer
4	5EF-0003	24" Sensor Cable
5	015345-20	3/8-18 NPSM Low Profile Elbow
6	016325-45	Inlet Hose, Faucet, 1/2" NPSM-F x 3/8" NPSM-F
7	5EF-0001	equip Sensor Faucet - Control Module
8	5EF-0002	equip AC Transformer, 100-240 VAC
9	5EF-0005	Supply Hose, 3/8" Compression x 1/2" NPSM
10	5EF-0006	Mechanical Mixing Valve
11	5EF-FILTER	Replacement Filter
12	015425-45	Vandal Resistant Key



<b>Model Number</b> <b>5EF-1D-WGAT</b>	<b>Product Specifications:</b> Electronic Faucet: Wall Mount Swivel Gooseneck, 2.2 GPM VR Aerator, AC-DC Control Module, Temperature Control Mixing Valve, Integral Check Valves & (2) 18" Flexible Supply Hoses
---	---

**Product Compliance:**  
ASME A112.18.1 / CSA B125.1  
NSF 61 - Section 9  
NSF 372 (Low Lead Content)  
ANSI A117.1 (ADA)  
UL 1951

equip  
Foodservice  
Accessories



2 Saddleback Cove, P.O. Box 1088  
Travelers Rest, South Carolina 29690  
Phone: 800.891.4808 Fax: 800.868.0084  
equip.tsbrass.com