



**ADA Compliant**

*This Space for Architect/Engineer Approval*

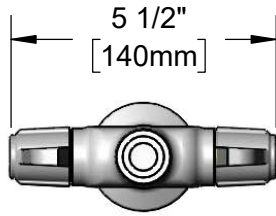
Job Name \_\_\_\_\_ Date \_\_\_\_\_

Model Specified \_\_\_\_\_ Quantity \_\_\_\_\_

Customer/Wholesaler \_\_\_\_\_

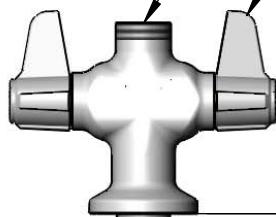
Contractor \_\_\_\_\_

Architect/Engineer \_\_\_\_\_



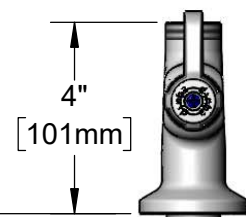
Swivel Outlet Accepts equip Swing Nozzles. Rigid Conversion Requires 014200-45 Lock Washer (Sold Separately)

Quarter-Turn Ceramic Cartridges & equip Lever Handles w/ Color Coded Screws

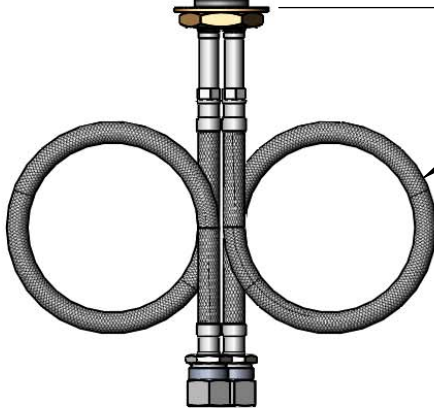


1 7/8" [48mm] Maximum Thickness

Mounting Surface



Ø 2 1/4" [57mm]



18" Long Flexible Stainless Steel Supply Hoses

Ø 1 1/8" [29mm] Shank

Compression Fittings for 5/8" O.D. Copper Tubing (Remove Compression Nut for 1/2" NPSM Male)

Rough-In Requirement:  
Ø 1 1/2" [38mm] Mounting Hole

Model Number

**5F-2SLX00**

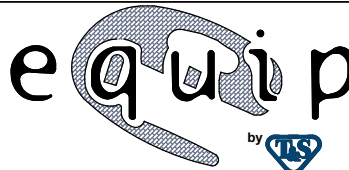
Product Specifications:

Single Hole Deck Mount Mixing Faucet, Less Nozzle, Quarter-Turn Ceramic Cartridges, equip Lever Handles & 18" Flexible Inlets

Product Compliance:

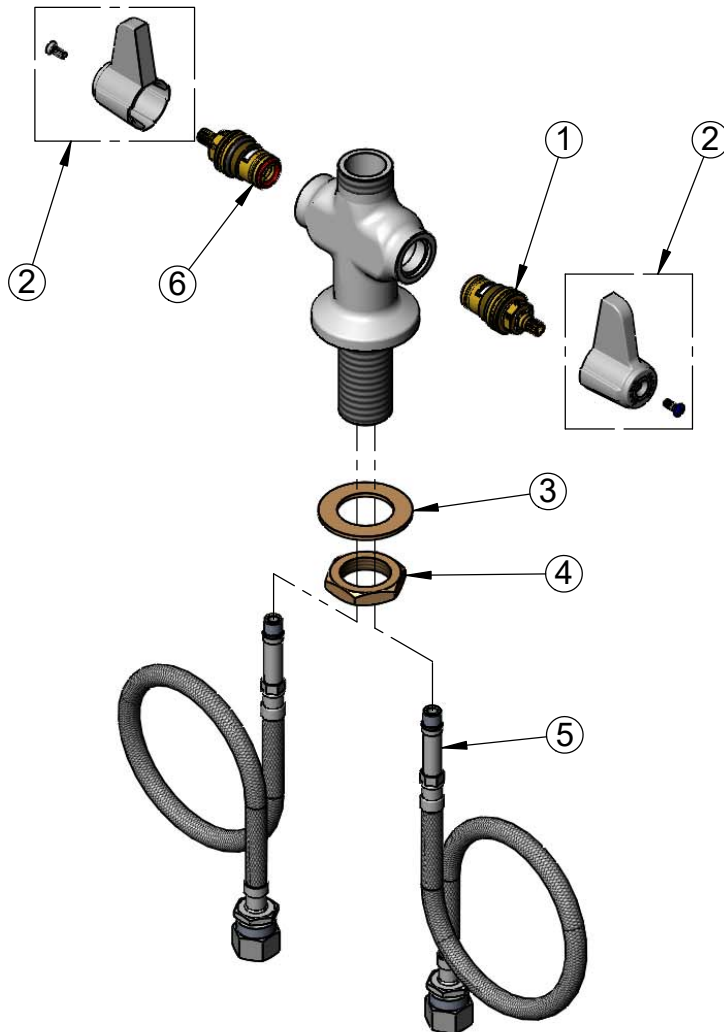
ASME A112.18.1 / CSA B125.1  
NSF 61 - Section 9  
NSF 372 (Low Lead Content)  
ANSI A117.1 (ADA)

equip  
Foodservice  
Accessories



2 Saddleback Cove, P.O. Box 1088  
Travelers Rest, South Carolina 29690  
Phone: 800.891.4808 Fax: 800.868.0084  
equip.tsbrass.com

ITEM NO.	SALES NO.	DESCRIPTION
1	013788-45	equip Quarter-Turn Ceramic Cartridge, LTC
2	5-HDL-L	equip Lever Handle w/ Color Coded Screws
3	002290-45	Lock Washer
4	000965-45	Lock Nut
5	012534-45	18" Flexible Supply Hose (2)
6	013787-45	equip Quarter-Turn Ceramic Cartridge, RTC



Model Number

**5F-2SLX00**

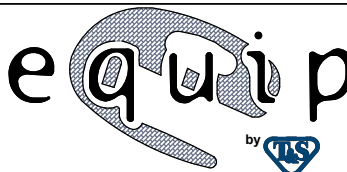
Product Specifications:

Single Hole Deck Mount Mixing Faucet, Less Nozzle, Quarter-Turn Ceramic Cartridges, equip Lever Handles & 18" Flexible Inlets

Product Compliance:

ASME A112.18.1 / CSA B125.1  
 NSF 61 - Section 9  
 NSF 372 (Low Lead Content)  
 ANSI A117.1 (ADA)

equip  
 Foodservice  
 Accessories



2 Saddleback Cove, P.O. Box 1088  
 Travelers Rest, South Carolina 29690  
 Phone: 800.891.4808 Fax: 800.868.0084  
 equip.tsbrass.com