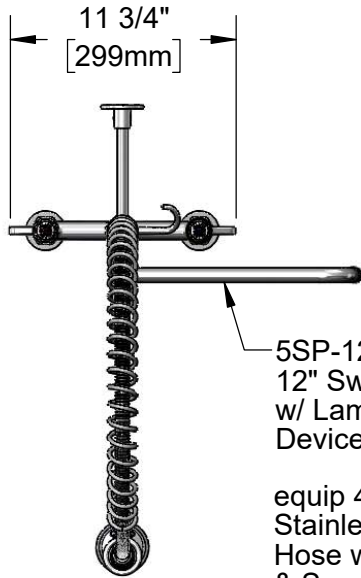


*This Space for Architect/Engineer Approval*

Job Name \_\_\_\_\_ Date \_\_\_\_\_  
 Model Specified \_\_\_\_\_ Quantity \_\_\_\_\_  
 Customer/Wholesaler \_\_\_\_\_  
 Contractor \_\_\_\_\_  
 Architect/Engineer \_\_\_\_\_



5SP-12  
 12" Swing Nozzle  
 w/ Laminar Flow  
 Device

equip 44" Flexible  
 Stainless Steel  
 Hose w/ Spring  
 & Spray Valve



Items Not Shown  
 For Clarity

3/8" NPT x 18"  
 Riser

Finger Hook

12 1/8"  
 [308mm]

13 1/16"  
 [331mm]

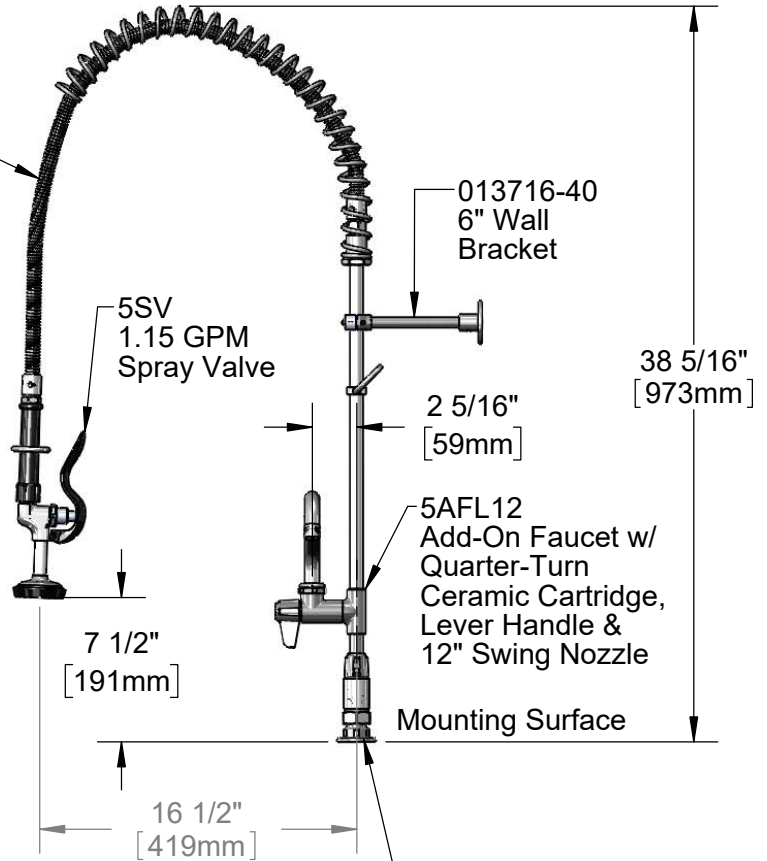
10 5/8"  
 [269mm]

4 5/8"  
 [117mm]

8"  
 [203mm]

Adjustable From  
 7 3/4" to 8 1/4"  
 [197mm to 210mm]

Quarter-Turn Ceramic  
 Cartridges & Lever  
 Handles w/ Color Coded  
 Screws



013716-40  
 6" Wall  
 Bracket

5SV  
 1.15 GPM  
 Spray Valve

2 5/16"  
 [59mm]

5AFL12  
 Add-On Faucet w/  
 Quarter-Turn  
 Ceramic Cartridge,  
 Lever Handle &  
 12" Swing Nozzle

Mounting Surface

Ø 2" [51mm]  
 Flanges w/  
 In-Line Check  
 Valves & 1/2" NPT  
 Female Inlets



B-0425-M  
 1/2" NPT Supply  
 Nipple Kit  
 (Sold Separately)

Model Number

**5PR-8D12**

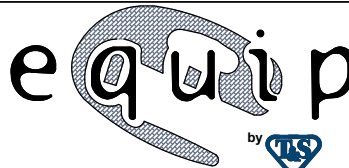
Product Specifications:

Pre-Rinse Unit: 8" Deck Mount Mixing Faucet, Quarter-Turn Ceramic Cartridges, Lever Handles, Add-On Faucet w/ 12" Swing Nozzle, 44" Flexible Stainless Steel Hose, 1.15 GPM Spray Valve, In-Line Check Valves, 6" Wall Bracket & 1/2" NPT Female Inlets

Product Compliance:

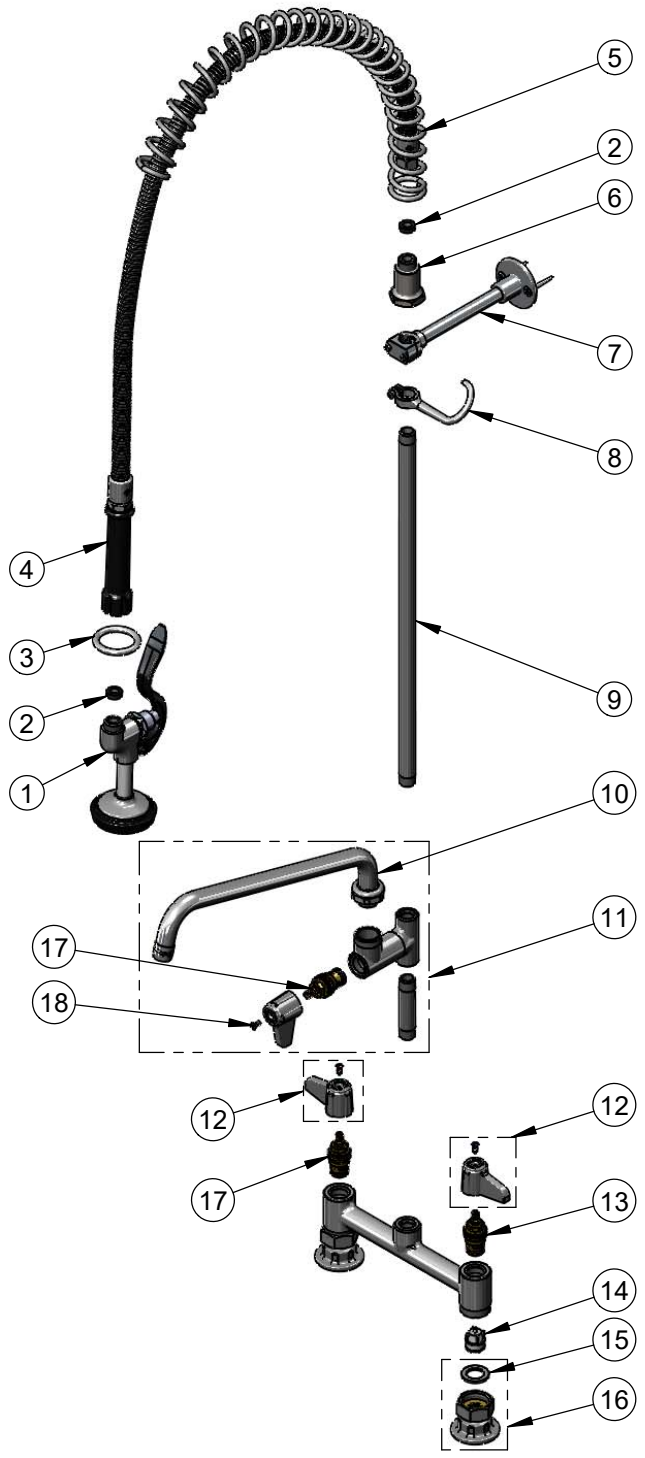
ASME A112.18.1 / CSA B125.1  
 NSF 61 - Section 9  
 NSF 372 (Low Lead Content)  
 2019 DOE PRSV - Class II

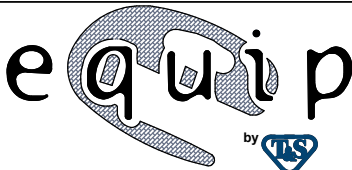
equip  
 Foodservice  
 Accessories



2 Saddleback Cove, P.O. Box 1088  
 Travelers Rest, South Carolina 29690  
 Phone: 800.891.4808 Fax: 800.868.0084  
 equip.tsbrass.com

ITEM NO.	SALES NO.	DESCRIPTION
1	5SV	equip 1.15 GPM Spray Valve
2	010476-45	#27 Washer
3	000907-45	Spray Valve Hold Down Ring
4	5HSE44	equip 44" Flexible Stainless Steel Hose
5	014068-45	Overhead Spring
6	000821-40	Spring Body
7	013716-40	6" Wall Bracket
8	004R	Finger Hook
9	000369-40	3/8" NPT x 18" Riser
10	5SP-12	equip 12" Swing Nozzle
11	5AFL12	Add-On Faucet w/ 12" Swing Nozzle
12	5-HDL-L	equip Lever Handle w/ Color Coded Screws
13	013788-45	equip Quarter-Turn Ceramic Cartridge, LTC
14	013840-45	20mm Check Valve (2)
15	001019-45	Coupling Nut Washer
16	00AA	1/2" NPT Female Eccentric Flange
17	013787-45	equip Quarter-Turn Ceramic Cartridge, RTC
18	013849-45	Screw, 4mm Metric (10)



<b>Model Number</b> <p style="text-align: center; font-size: 1.2em;"><b>5PR-8D12</b></p>		<b>Product Specifications:</b> Pre-Rinse Unit: 8" Deck Mount Mixing Faucet, Quarter-Turn Ceramic Cartridges, Lever Handles, Add-On Faucet w/ 12" Swing Nozzle, 44" Flexible Stainless Steel Hose, 1.15 GPM Spray Valve, In-Line Check Valves, 6" Wall Bracket & 1/2" NPT Female Inlets	
<b>Product Compliance:</b> ASME A112.18.1 / CSA B125.1 NSF 61 - Section 9 NSF 372 (Low Lead Content) 2019 DOE PRSV - Class II			
Drawn: <b>AMG</b> Checked: <b>JRM</b>		Approved: <b>JHB</b> Date: <b>10/15/18</b>	
Scale: <b>NTS</b>		Sheet: <b>2 of 2</b>	

2 Saddleback Cove, P.O. Box 1088  
 Travelers Rest, South Carolina 29690  
 Phone: 800.891.4808 Fax: 800.868.0084  
 equip.tsbrass.com