

5SP-14
14" Swing Nozzle
w/ Laminar
Flow Device

equip 44" Flexible
Stainless Steel
Hose w/ Spring
& Spray Valve

Items Not Shown
For Clarity
3/8" NPT x 18"
Riser

Finger Hook

14 1/8"
[359mm]

13 9/16"
[345mm]

11 1/8"
[283mm]

8"
[203mm]

Adjustable From
7 3/4" to 8 1/4"
[197mm to 210mm]

Quarter-Turn
Ceramic Cartridges
& equip Lever
Handles w/ Color
Coded Screws

7 1/2"
[191mm]

5SV
1.15 GPM
Spray Valve
2 5/16"
[59mm]

16 1/2"
[419mm]

Ø 2" [51mm]
Flanges w/
In-Line Check
Valves & 1/2" NPT
Female Inlets

013716-40
6" Wall
Bracket

5AFL14
Add-On Faucet w/
Ceramic Cartridge,
Lever Handle &
14" Swing Nozzle

Mounting Surface

38 5/16"
[973mm]


B-0425-M
1/2" NPT Supply
Nipple Kit
(Sold Separately)

This Space for Architect/Engineer Approval

Job Name _____ Date _____

Model Specified _____ Quantity _____

Customer/Wholesaler _____

Contractor _____

Architect/Engineer _____

Model Number

5PR-8D14

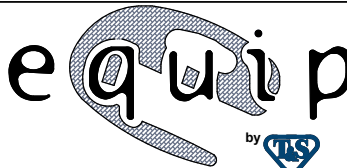
Product Specifications:

Pre-Rinse Unit: 8" Deck Mount Mixing Faucet, Quarter-Turn Ceramic Cartridges, Add-On Faucet w/ 14" Swing Nozzle, 1.15 GPM Spray Valve, 6" Wall Bracket, In-Line Check Valves & 1/2" NPT Female Inlets

Product Compliance:

ASME A112.18.1 / CSA B125.1
NSF 61 - Section 9
NSF 372 (Low Lead Content)
2019 DOE PRSV - Class II

equip
Foodservice
Accessories



2 Saddleback Cove, P.O. Box 1088
Travelers Rest, South Carolina 29690
Phone: 800.891.4808 Fax: 800.868.0084
equip.tsbrass.com

Drawn: AMG

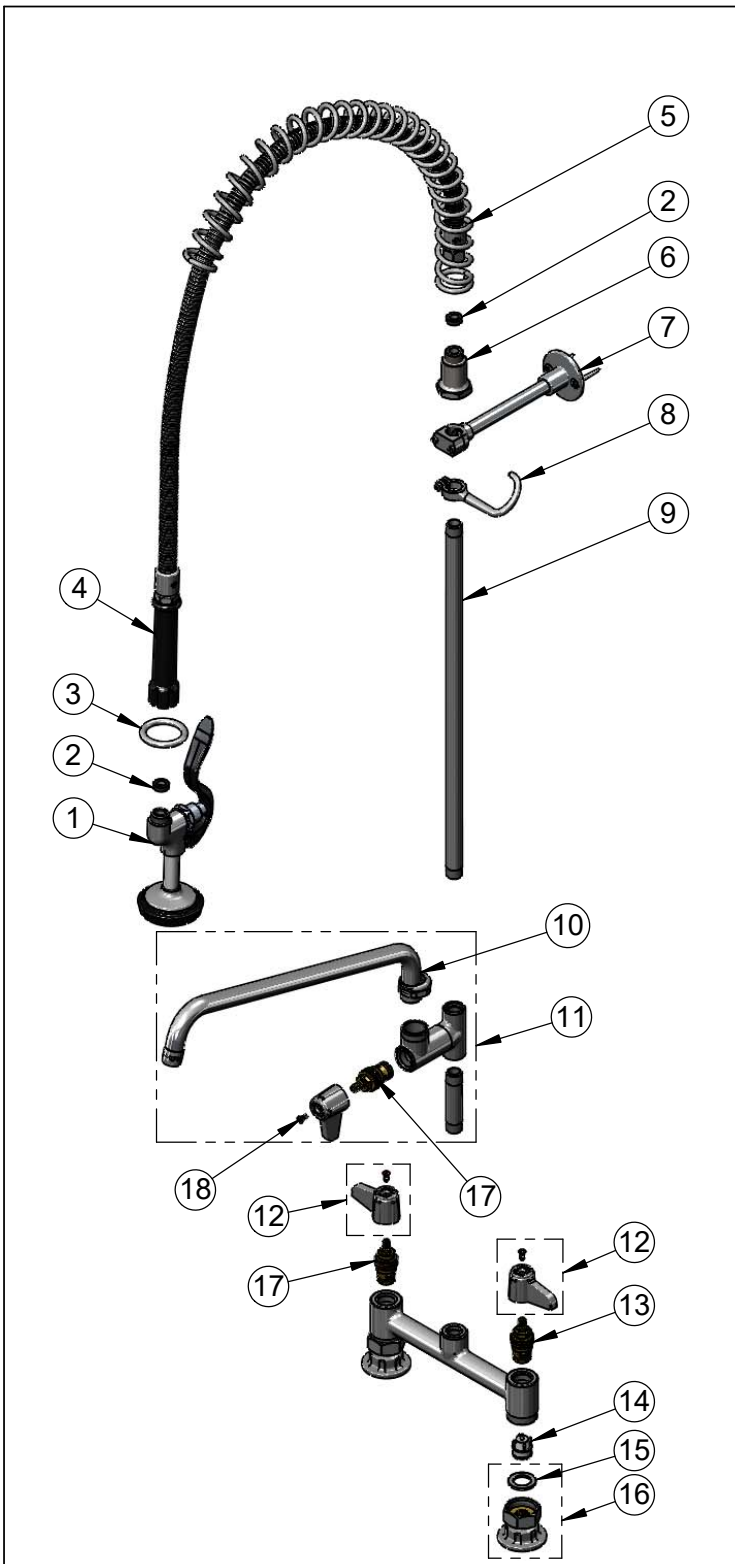
Checked: JRM

Approved: JHB

Date: 10/15/18

Scale: 1:9

Sheet: 1 of 2



ITEM NO.	SALES NO.	DESCRIPTION
1	5SV	equip 1.15 GPM Spray Valve
2	010476-45	#27 Washer
3	000907-45	Spray Valve Hold Down Ring
4	5HSE44	equip 44" Flexible Stainless Steel Hose
5	014068-45	Overhead Spring
6	000821-40	Spring Body
7	013716-40	6" Wall Bracket
8	004R	Finger Hook
9	000369-40	3/8" NPT x 18" Riser
10	5SP-14	equip 14" Swing Nozzle
11	5AFL14	Add-On Faucet w/ 14" Swing Nozzle
12	5-HDL-L	equip Lever Handle w/ Color Coded Screws
13	013788-45	equip Ceramic Cartridge, LTC
14	013840-45	20mm Check Valve (2)
15	001019-45	Coupling Nut Washer
16	00AA	1/2" NPT Female Eccentric Flange
17	013787-45	Equip Ceramic Cartridge, RTC
18	013849-45	Handle Screw (10)

Model Number
5PR-8D14

Product Compliance:
ASME A112.18.1 / CSA B125.1
NSF 61 - Section 9
NSF 372 (Low Lead Content)
2019 DOE PRSV - Class II

Product Specifications:
Pre-Rinse Unit: 8" Deck Mount Mixing Faucet, Quarter-Turn Ceramic Cartridges, Add-On Faucet w/ 14" Swing Nozzle, 1.15 GPM Spray Valve, 6" Wall Bracket, In-Line Check Valves & 1/2" NPT Female Inlets

equip
Foodservice
Accessories



2 Saddleback Cove, P.O. Box 1088
Travelers Rest, South Carolina 29690
Phone: 800.891.4808 Fax: 800.868.0084
equip.tsbrass.com