

This Space for Architect/Engineer Approval

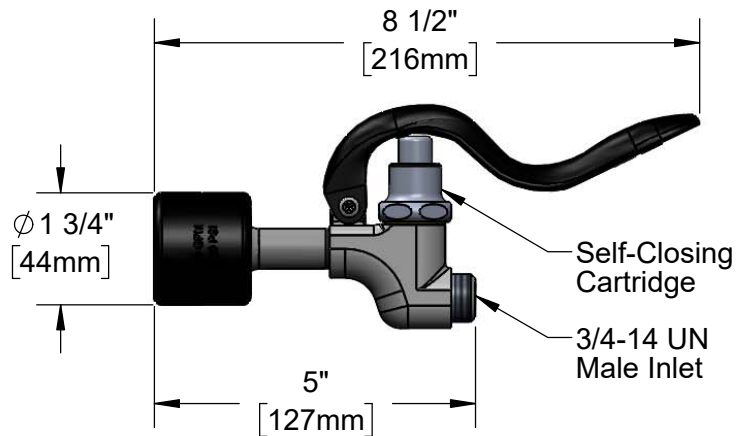
Job Name _____ Date _____

Model Specified _____ Quantity _____

Customer/Wholesaler _____

Contractor _____

Architect/Engineer _____



Flow Rate: 1.20 GPM (4.5 L/min) @ 60 psi
Spray Force: 7.7 Ozf (218 Gramf) @ 60 psi

Model Number

5SV-C

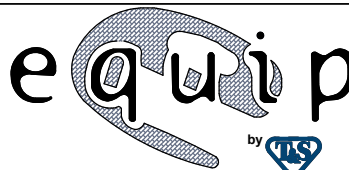
Product Specifications:

1.20 GPM Low Flow Spray Valve For Pre-Rinse Unit

Product Compliance:

ASME A112.18.1 / CSA B125.1
NSF 61 - Section 9
NSF 372 (Low Lead Content)
2019 DOE PRSV - Class II

equip
Foodservice
Accessories



2 Saddleback Cove, P.O. Box 1088
Travelers Rest, South Carolina 29690
Phone: 800.891.4808 Fax: 800.868.0084
equip.tsbrass.com