

*This Space for Architect/Engineer Approval*

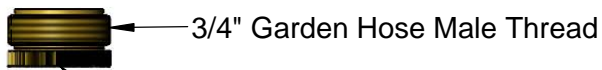
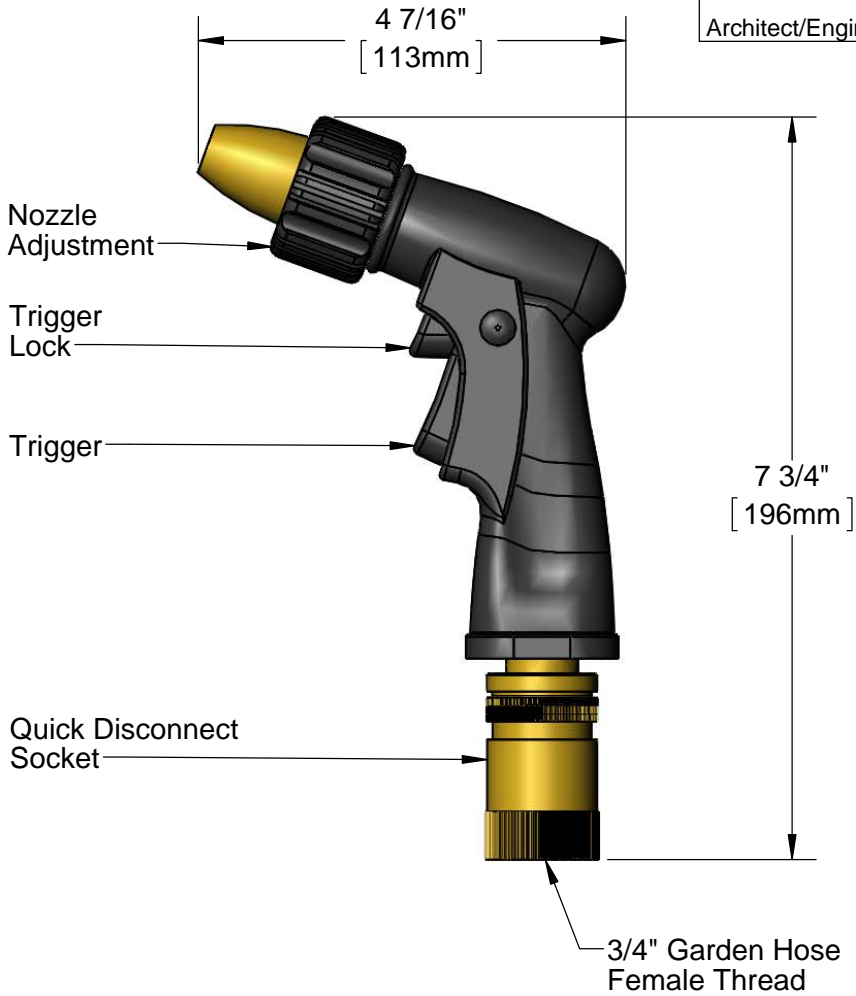
Job Name \_\_\_\_\_ Date \_\_\_\_\_

Model Specified \_\_\_\_\_ Quantity \_\_\_\_\_

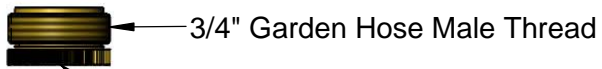
Customer/Wholesaler \_\_\_\_\_

Contractor \_\_\_\_\_

Architect/Engineer \_\_\_\_\_



3/8" NPT Female Thread



1/2" NPSM Female Thread

Model Number

**5WG-1000-01**

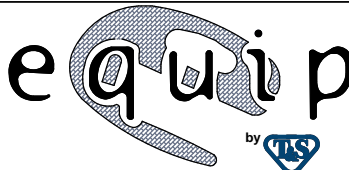
Product Specifications:

**Water Gun w/ Quick Disconnect, 1/2" & 3/8" Adapters**

Product Compliance:

NSF 61 Exempt (Non-Potable)

equip  
Foodservice  
Accessories



2 Saddleback Cove, P.O. Box 1088  
Travelers Rest, South Carolina 29690  
Phone: 800.891.4808 Fax: 800.868.0084  
equip.tsbrass.com

Drawn: JBC

Checked: JRM

Approved: JHB

Date: 04/23/16

Scale: 1:2

Sheet: 1 of 1