



**T&S BRASS AND BRONZE WORKS, INC.**  
 2 Saddleback Cove / P.O. Box 1088  
 Travelers Rest, SC 29690

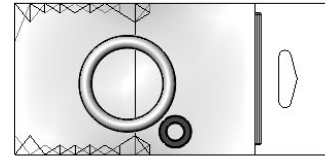
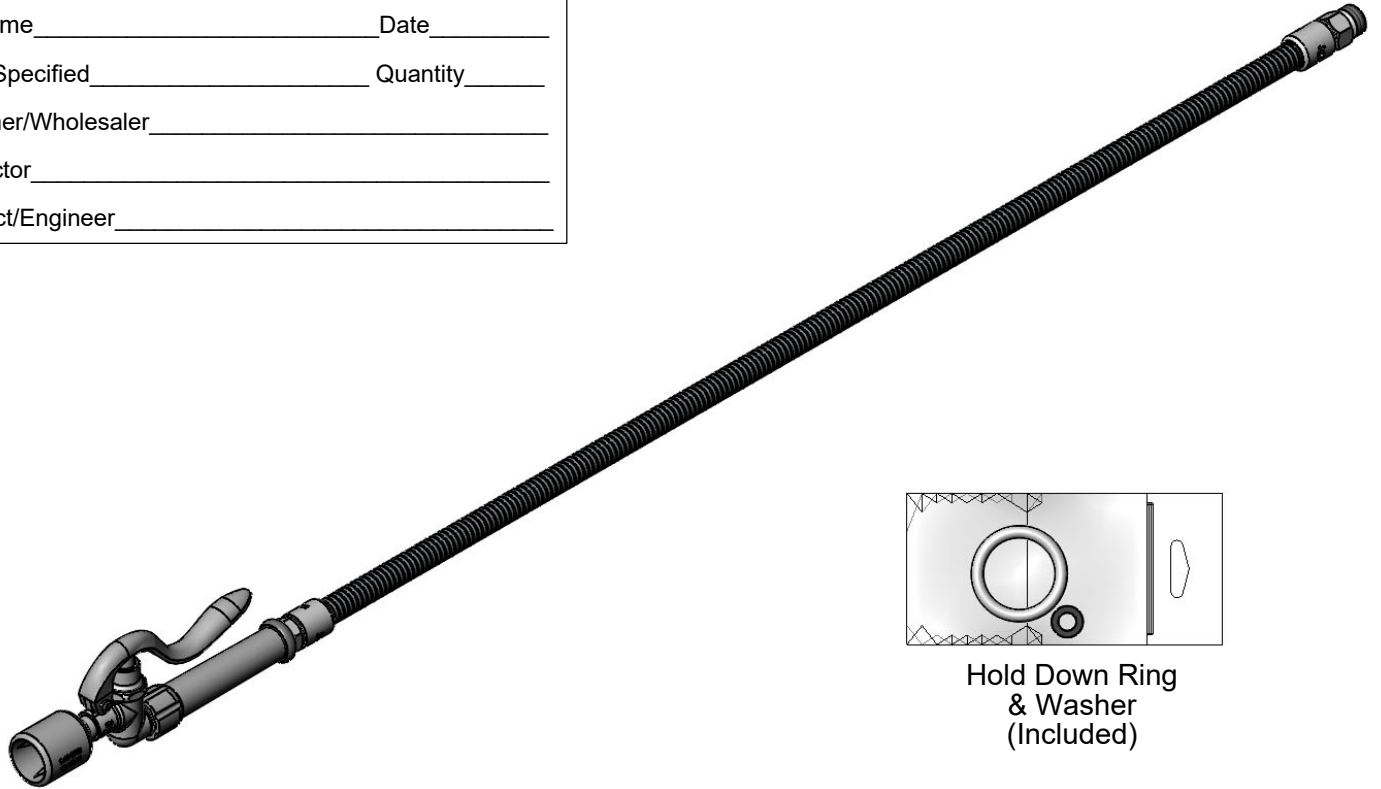
Model No.  
**B-0100-C**

Item No.

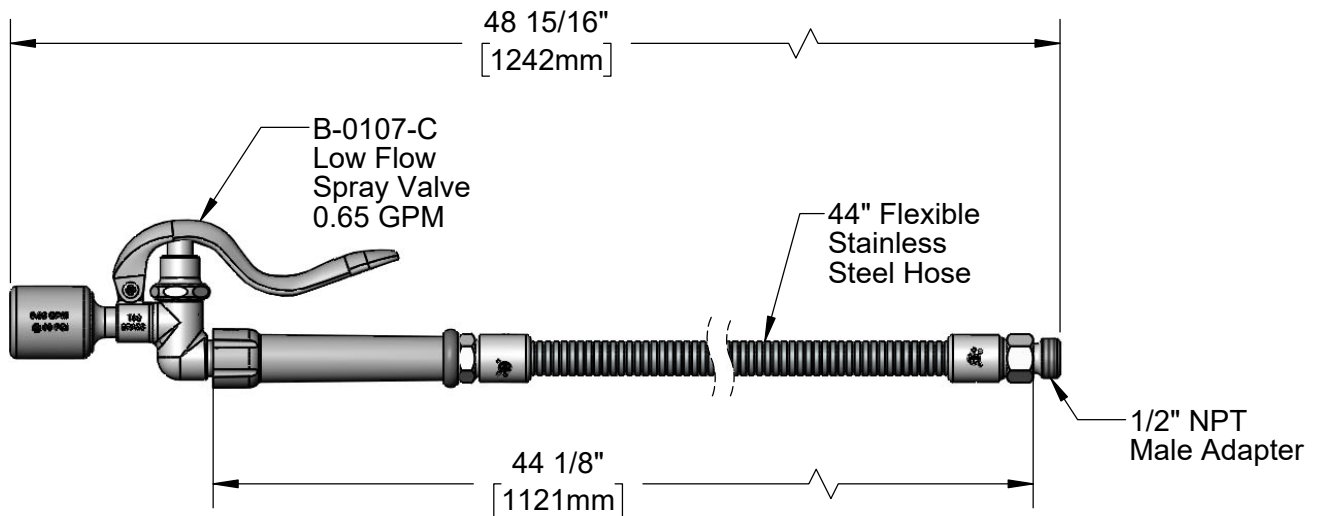
Travelers Rest, SC: 800-476-4103 • Simi Valley, CA: 800-423-0150 • Fax: 864-834-3518 • www.tsbrass.com

This Space for Architect/Engineer Approval

Job Name \_\_\_\_\_ Date \_\_\_\_\_  
 Model Specified \_\_\_\_\_ Quantity \_\_\_\_\_  
 Customer/Wholesaler \_\_\_\_\_  
 Contractor \_\_\_\_\_  
 Architect/Engineer \_\_\_\_\_



Hold Down Ring  
 & Washer  
 (Included)



Product Specifications:  
**0.65 GPM Low Flow Spray Valve w/ 44" Flexible Stainless Steel  
 Hose & Adapter**

Product Compliance:  
 ASME A112.18.1 / CSA B125.1  
 NSF 61 - Section 9  
 NSF 372 (Low Lead Content)  
 2019 DOE PRSV - Class I



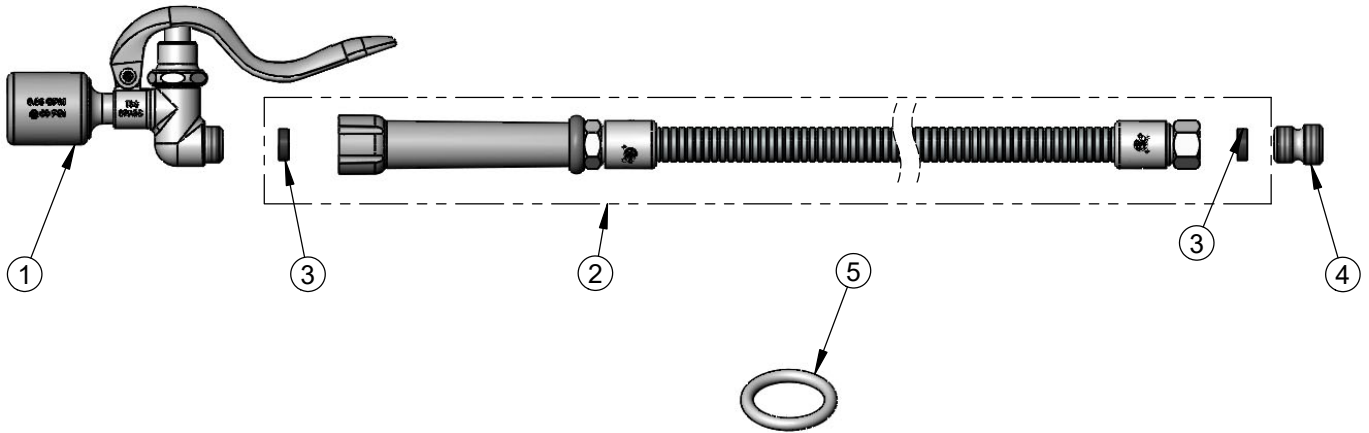
**T&S BRASS AND BRONZE WORKS, INC.**  
 2 Saddleback Cove / P.O. Box 1088  
 Travelers Rest, SC 29690

Model No.  
**B-0100-C**

Item No.

Travelers Rest, SC: 800-476-4103 • Simi Valley, CA: 800-423-0150 • Fax: 864-834-3518 • www.tsbrass.com

| ITEM NO. | SALES NO. | DESCRIPTION                   |
|----------|-----------|-------------------------------|
| 1        | B-0107-C  | 0.65 GPM Low Flow Spray Valve |
| 2        | B-0044-H  | 44" Stainless Steel Flex Hose |
| 3        | 010476-45 | #27 Washer                    |
| 4        | 055A      | Adapter, 1/2 NPT Male         |
| 5        | 000907-45 | Spray Valve Hold Down Ring    |



Product Specifications:  
 0.65 GPM Low Flow Spray Valve w/ 44" Flexible Stainless Steel  
 Hose & Adapter

Product Compliance:  
 ASME A112.18.1 / CSA B125.1  
 NSF 61 - Section 9  
 NSF 372 (Low Lead Content)  
 2019 DOE PRSV - Class I