



**T&S BRASS AND BRONZE WORKS, INC.**  
 2 Saddleback Cove / P.O. Box 1088  
 Travelers Rest, SC 29690

Model No.  
**B-0101-A**

Item No.

Travelers Rest, SC: 800-476-4103 • Simi Valley, CA: 800-423-0150 • Fax: 864-834-3518 • www.tsbrass.com

This Space for Architect/Engineer Approval

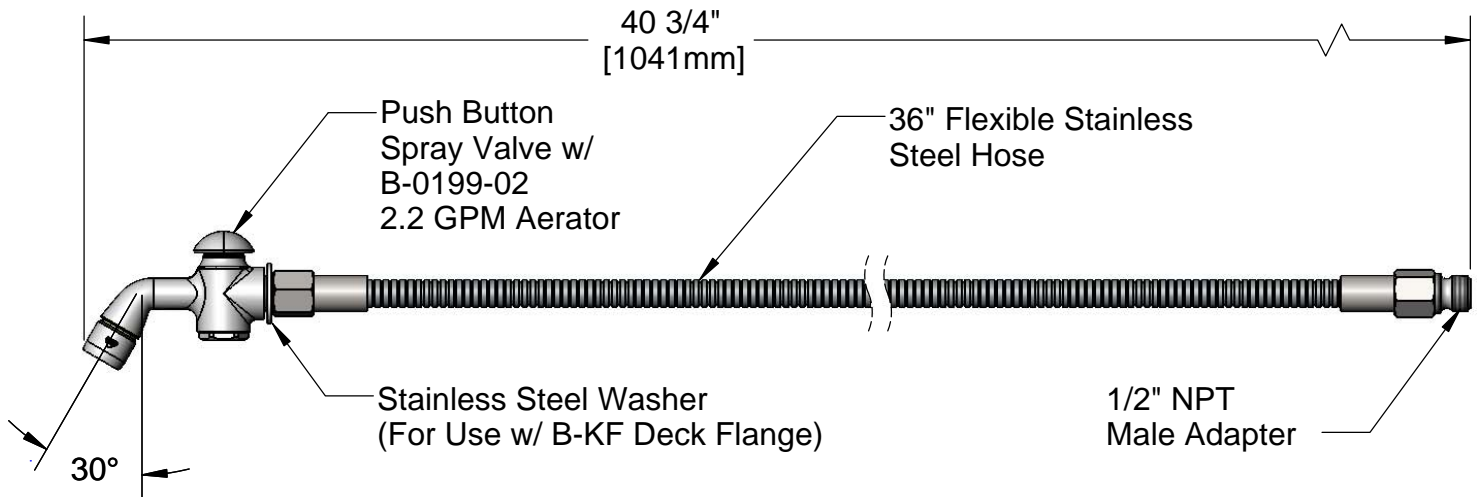
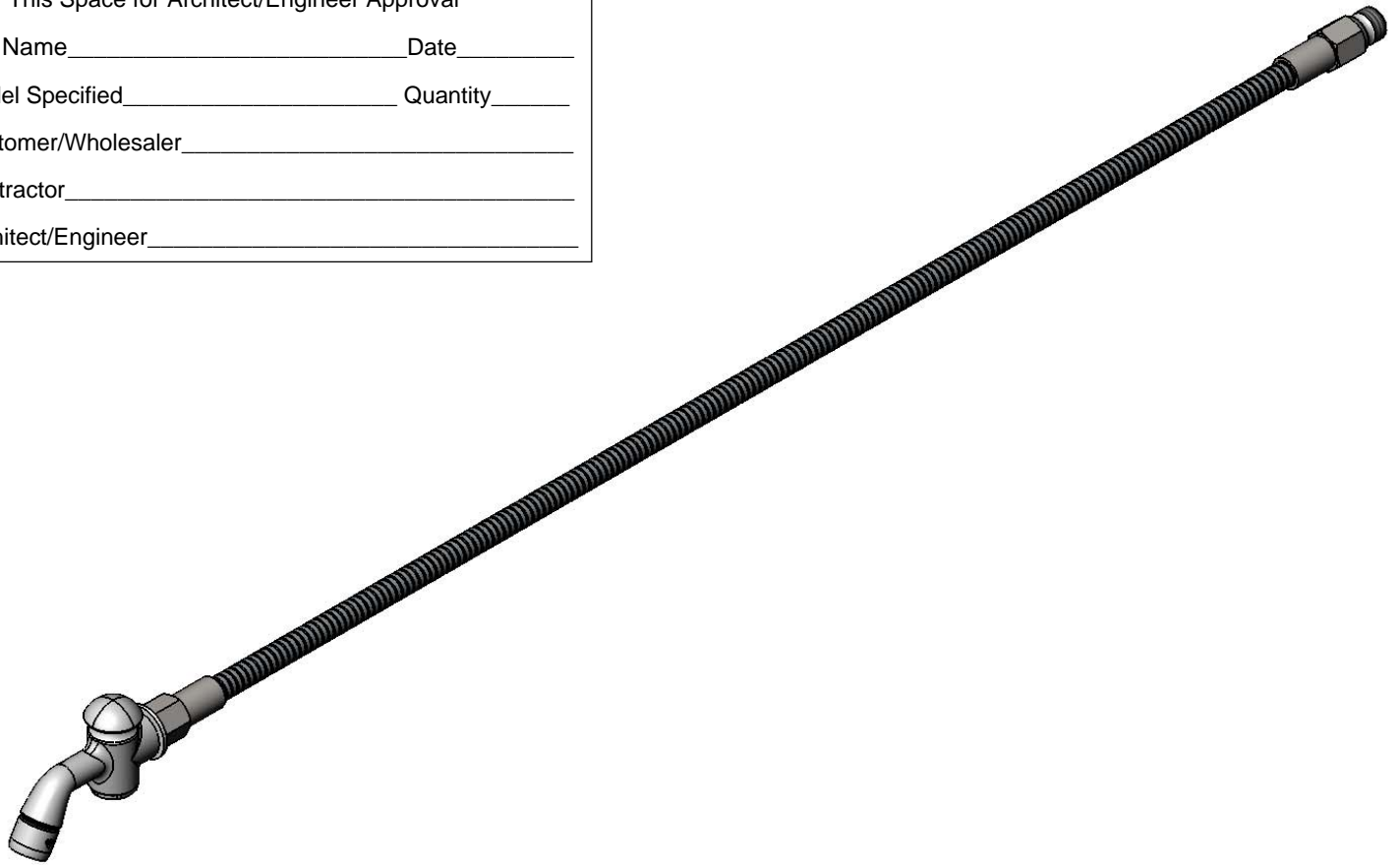
Job Name \_\_\_\_\_ Date \_\_\_\_\_

Model Specified \_\_\_\_\_ Quantity \_\_\_\_\_

Customer/Wholesaler \_\_\_\_\_

Contractor \_\_\_\_\_

Architect/Engineer \_\_\_\_\_



Product Specifications:  
**Spray Valve w/ 2.2 GPM Aerator Outlet & 36" Flexible Stainless Steel Hose w/ Adapter**

Product Compliance:  
 ASME A112.18.1 / CSA B125.1  
 NSF 61 - Section 9  
 NSF 372 (Low Lead Content)  
 EPA Act 2005 Non-Compliant (PRSV)  
 Product Not Designed/Intended for Commercial Warewashing in North America



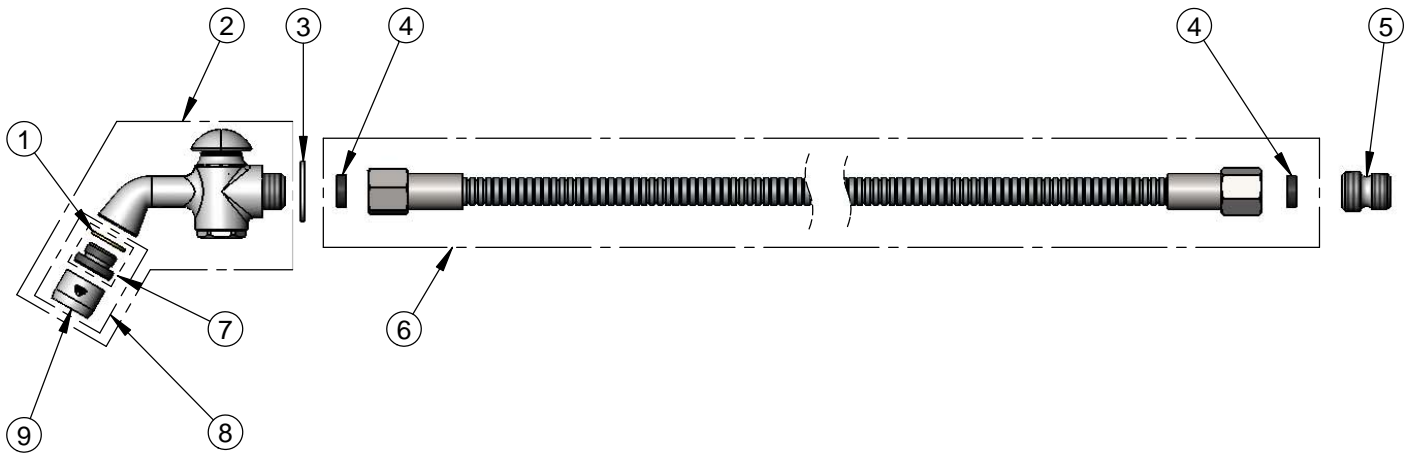
**T&S BRASS AND BRONZE WORKS, INC.**  
 2 Saddleback Cove / P.O. Box 1088  
 Travelers Rest, SC 29690

Model No.  
**B-0101-A**

Item No.

Travelers Rest, SC: 800-476-4103 • Simi Valley, CA: 800-423-0150 • Fax: 864-834-3518 • www.tsbrass.com

ITEM NO.	SALES NO.	DESCRIPTION
1	001043-45	Washer
2	002858-40	Spray Valve w/ 2.2 GPM Aerator
3	001010-40	Washer, Stainless Steel
4	010476-45	#27 Washer
5	055A	Adapter, 1/2 NPT Male
6	013E-36H	36" Flexible Stainless Steel Hose
7	044A	3/8" to Aerator Adapter w/ Washer
8	B-0199-02	2.2 GPM Aerator, 3/8" NPSM Male
9	B-0199-01	2.2 GPM Aerator, 55/64"-27 UN Female



Product Specifications:  
**Spray Valve w/ 2.2 GPM Aerator Outlet & 36" Flexible  
 Stainless Steel Hose w/ Adapter**

Product Compliance:  
 ASME A112.18.1 / CSA B125.1  
 NSF 61 - Section 9  
 NSF 372 (Low Lead Content)  
 EPA Act 2005 Non-Compliant (PRSV)  
 Product Not Designed/Intended for  
 Commercial Warewashing in North America