



# T&S BRASS AND BRONZE WORKS, INC.

2 Saddleback Cove / P.O. Box 1088  
Travelers Rest, SC 29690

Model No.

**B-0105**

Item No.

Travelers Rest, SC: 800-476-4103 • Simi Valley, CA: 800-423-0150 • Fax: 864-834-3518 • www.tsbrass.com

This Space for Architect/Engineer Approval

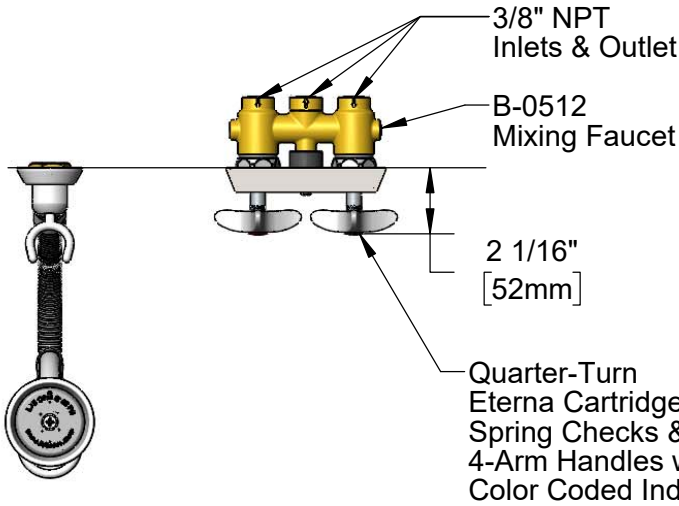
Job Name \_\_\_\_\_ Date \_\_\_\_\_

Model Specified \_\_\_\_\_ Quantity \_\_\_\_\_

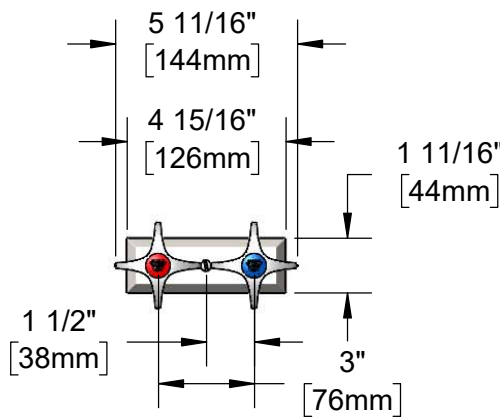
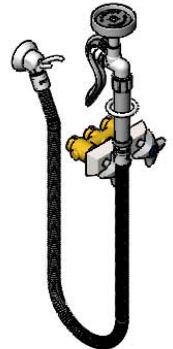
Customer/Wholesaler \_\_\_\_\_

Contractor \_\_\_\_\_

Architect/Engineer \_\_\_\_\_



44" Flexible Stainless Steel Hose



Mounting Surface

2 1/4" [57mm]

**Rough-In Requirement:**  
(2)  $\phi$  1 9/16" [40mm] Mounting Holes  
 $\phi$  1/4" [6mm] Center Mounting Screw

**Note:** (2) Check Valves Recommended for Cross Flow Prevention on the Cold & Hot Inlets. (Sold Separately)

**Product Specifications:**

3" Concealed Mixing Faucet w/ Quarter-Turn Eterna Cartridges w/ Spring Checks, 4-Arm Handles, 1.15 GPM Spray Valve, 44" Flexible Stainless Steel Hose & Wall Hook

**Product Compliance:**

ASME A112.18.1 / CSA B125.1  
NSF 61 - Section 9  
NSF 372 (Low Lead Content)  
2019 DOE PRSV - Class II



# T&S BRASS AND BRONZE WORKS, INC.

2 Saddleback Cove / P.O. Box 1088  
Travelers Rest, SC 29690

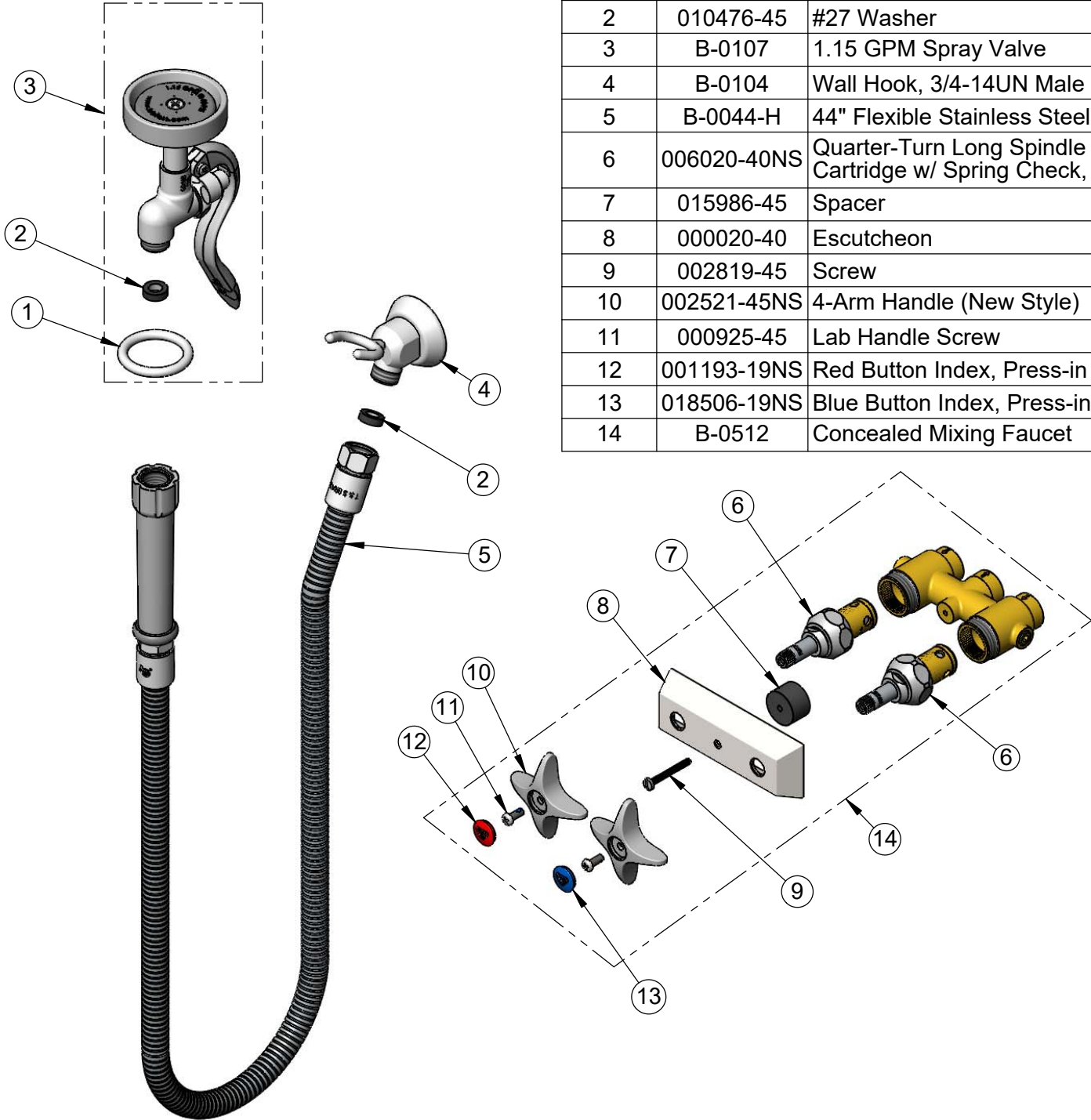
Model No.

**B-0105**

Item No.

Travelers Rest, SC: 800-476-4103 • Simi Valley, CA: 800-423-0150 • Fax: 864-834-3518 • www.tsbrass.com

ITEM NO.	SALES NO.	DESCRIPTION
1	000907-45	Spray Valve Hold Down Ring
2	010476-45	#27 Washer
3	B-0107	1.15 GPM Spray Valve
4	B-0104	Wall Hook, 3/4-14UN Male Outlet
5	B-0044-H	44" Flexible Stainless Steel Hose
6	006020-40NS	Quarter-Turn Long Spindle Eterna Cartridge w/ Spring Check, RTC
7	015986-45	Spacer
8	000020-40	Escutcheon
9	002819-45	Screw
10	002521-45NS	4-Arm Handle (New Style)
11	000925-45	Lab Handle Screw </td
12	001193-19NS	Red Button Index, Press-in
13	018506-19NS	Blue Button Index, Press-in
14	B-0512	Concealed Mixing Faucet



**Product Specifications:**

3" Concealed Mixing Faucet w/ Quarter-Turn Eterna Cartridges w/ Spring Checks, 4-Arm Handles, 1.15 GPM Spray Valve, 44" Flexible Stainless Steel Hose & Wall Hook

**Product Compliance:**

ASME A112.18.1 / CSA B125.1  
NSF 61 - Section 9  
NSF 372 (Low Lead Content)  
2019 DOE PRSV - Class II