



**T&S BRASS AND BRONZE WORKS, INC.**  
 2 Saddleback Cove / P.O. Box 1088  
 Travelers Rest, SC 29690

Model No.  
**B-0108-C**

Item No.

Travelers Rest, SC: 800-476-4103 • Simi Valley, CA: 800-423-0150 • Fax: 864-834-3518 • www.tsbrass.com

This Space for Architect/Engineer Approval

Job Name \_\_\_\_\_ Date \_\_\_\_\_

Model Specified \_\_\_\_\_ Quantity \_\_\_\_\_

Customer/Wholesaler \_\_\_\_\_

Contractor \_\_\_\_\_

Architect/Engineer \_\_\_\_\_

Extra Washer For  
Hose Connections

One-Handed Metal Trigger  
Lock w/ Added Anti-  
Rotational Feature

Surgical-Grade  
Polished  
Stainless Steel

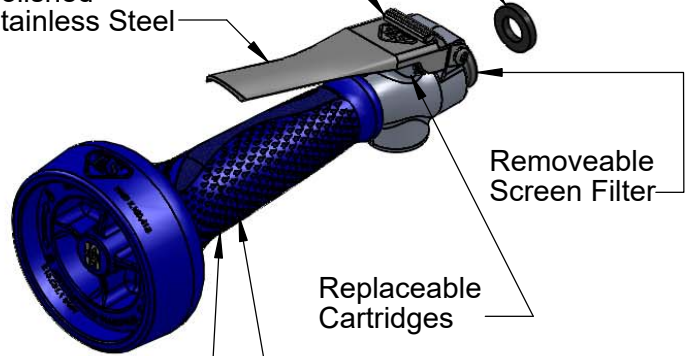
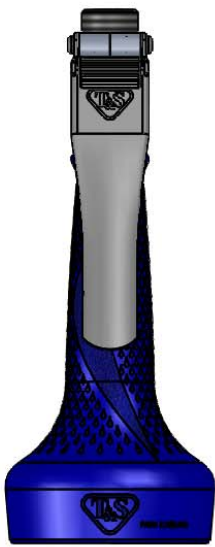
Removeable  
Screen Filter

Replaceable  
Cartridges

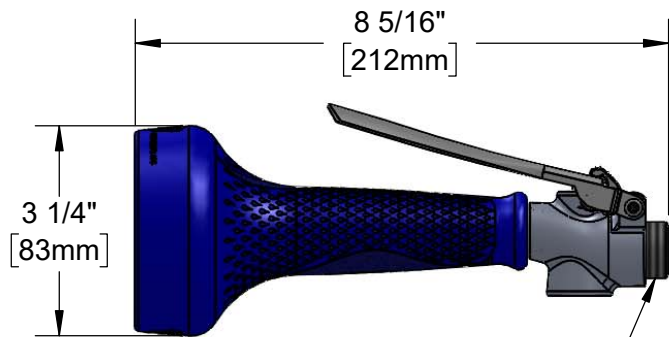
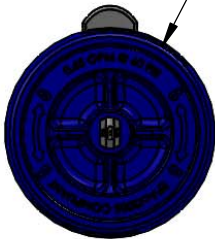
Built-In Check Valve  
To Prevent Backflow

Non-Slip Ergonomic Santoprene  
Grip w/ Built-in Heat Dissipation  
Channels

Crush-Resistant w/ Delrin Waterways



0.65 GPM @ 60 PSI  
(Optional B-0108  
1.07 GPM Available)



7/8-20 UN Male Inlet

Flow Rate: 0.65 GPM (2.5 Lpm) @ 60 PSI  
 Spray Force: 4.6 Ozf (130 Gramf)

Product Specifications:

0.65 GPM Spray Valve w/ Ergo-Grip, Replaceable Spray Face  
 & Integrated One-Handed Trigger Lock

Product Compliance:

ASME A112.18.1 / CSA B125.1  
 NSF 61 - Section 9  
 NSF 372 (Low Lead Content)  
 2019 DOE PRSV - Class I



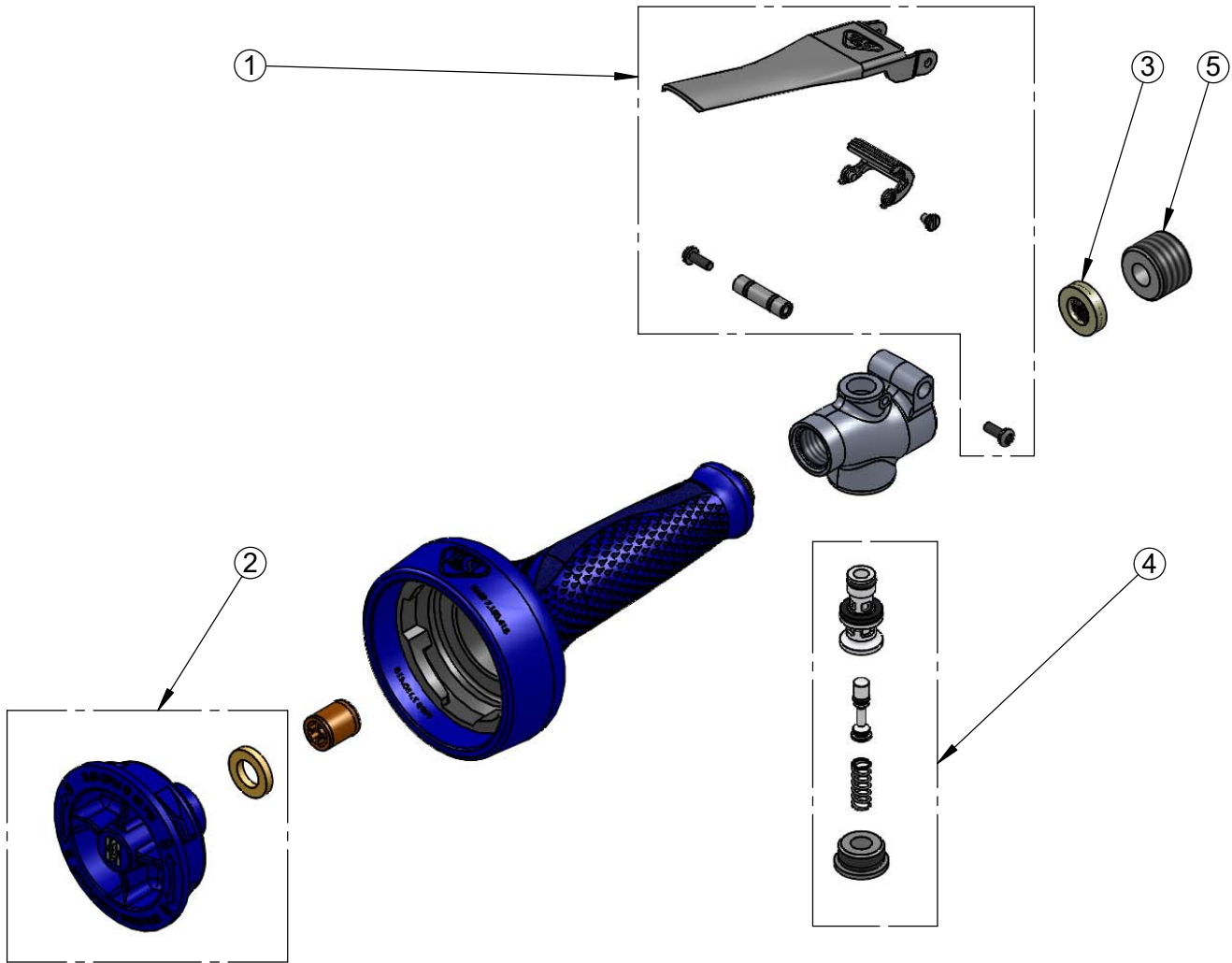
**T&S BRASS AND BRONZE WORKS, INC.**  
 2 Saddleback Cove / P.O. Box 1088  
 Travelers Rest, SC 29690

Model No.  
**B-0108-C**

Item No.

Travelers Rest, SC: 800-476-4103 • Simi Valley, CA: 800-423-0150 • Fax: 864-834-3518 • www.tsbrass.com

ITEM NO.	SALES NO.	DESCRIPTION
1	108T-RK	Trigger Repair Kit
2	108CSF-RK	Spray Face Repair Kit
3	108S-RK	Inlet Screen/Washer Repair Kit
4	108V-RK	Valve Repair Kit
5	014554-25	7/8-20 UN Close Nipple



Note:  
 Individual Items in Repair Kits  
 are not Sold Separately

Product Specifications:  
 0.65 GPM Spray Valve w/ Ergo-Grip, Replaceable Spray Face  
 & Integrated One-Handed Trigger Lock

Product Compliance:  
 ASME A112.18.1 / CSA B125.1  
 NSF 61 - Section 9  
 NSF 372 (Low Lead Content)  
 2019 DOE PRSV - Class I